

# VXI-MXI

## User Manual



October 1993 Edition  
Part Number 320222-01

© Copyright 1989, 1993 National Instruments Corporation.  
All Rights Reserved.

**National Instruments Corporate Headquarters**

6504 Bridge Point Parkway

Austin, TX 78730-5039

(512) 794-0100

(800) 433-3488 (toll-free U.S. and Canada)

Technical support fax: (512) 794-5678

**Branch Offices:**

Australia 03 879 9422, Austria 0662 435986, Belgium 02 757 00 20, Canada (Ontario) 519 622 9310,  
Canada (Québec) 514 694 8521, Denmark 45 76 26 00, Finland 90 527 2321, France 1 48 65 33 70,  
Germany 089 714 50 93, Italy 02 48301892, Japan 03 3788 1921, Netherlands 01720 45761, Norway 03 846866,  
Spain 91 640 0085, Sweden 08 730 49 70, Switzerland 056 27 00 20, U.K. 0635 523545

## **Limited Warranty**

The National Instruments MXIbus boards and accessories are warranted against defects in materials and workmanship for a period of one year from the date of shipment, as evidenced by receipts or other documentation. National Instruments will, at its option, repair or replace equipment that proves to be defective during the warranty period. This warranty includes parts and labor.

A Return Material Authorization (RMA) number must be obtained from the factory and clearly marked on the outside of the package before any equipment will be accepted for warranty work. National Instruments will pay the shipping costs of returning to the owner parts which are covered by warranty.

National Instruments believes that the information in this manual is accurate. The document has been carefully reviewed for technical accuracy. In the event that technical or typographical errors exist, National Instruments reserves the right to make changes to subsequent editions of this document without prior notice to holders of this edition. The reader should consult National Instruments if errors are suspected. In no event shall National Instruments be liable for any damages arising out of or related to this document or the information contained in it.

EXCEPT AS SPECIFIED HEREIN, NATIONAL INSTRUMENTS MAKES NO WARRANTIES, EXPRESS OR IMPLIED, AND SPECIFICALLY DISCLAIMS ANY WARRANTY OF MERCHANTABILITY OR FITNESS FOR A PARTICULAR PURPOSE. CUSTOMER'S RIGHT TO RECOVER DAMAGES CAUSED BY FAULT OR NEGLIGENCE ON THE PART OF NATIONAL INSTRUMENTS SHALL BE LIMITED TO THE AMOUNT THERETOFORE PAID BY THE CUSTOMER. NATIONAL INSTRUMENTS WILL NOT BE LIABLE FOR DAMAGES RESULTING FROM LOSS OF DATA, PROFITS, USE OF PRODUCTS, OR INCIDENTAL OR CONSEQUENTIAL DAMAGES, EVEN IF ADVISED OF THE POSSIBILITY THEREOF. This limitation of the liability of National Instruments will apply regardless of the form of action, whether in contract or tort, including negligence. Any action against National Instruments must be brought within one year after the cause of action accrues. National Instruments shall not be liable for any delay in performance due to causes beyond its reasonable control. The warranty provided herein does not cover damages, defects, malfunctions, or service failures caused by owner's failure to follow the National Instruments installation, operation, or maintenance instructions; owner's modification of the product; owner's abuse, misuse, or negligent acts; and power failure or surges, fire, flood, accident, actions of third parties, or other events outside reasonable control.

## **Copyright**

Under the copyright laws, this publication may not be reproduced or transmitted in any form, electronic or mechanical, including photocopying, recording, storing in an information retrieval system, or translating, in whole or in part, without the prior written consent of National Instruments Corporation.

## **Trademarks**

Product and company names listed are trademarks or trade names of their respective companies.

## **Warning Regarding Medical and Clinical Use of National Instruments Products**

National Instruments products are not designed with components and testing intended to ensure a level of reliability suitable for use in treatment and diagnosis of humans. Applications of National Instruments products involving medical or clinical treatment can create a potential for accidental injury caused by product failure, or by errors on the part of the user or application designer. Any use or application of National Instruments products for or involving medical or clinical treatment must be performed by properly trained and qualified medical personnel, and all traditional medical safeguards, equipment, and procedures that are appropriate in the particular situation to prevent serious injury or death should always continue to be used when National Instruments products are being used. National Instruments products are NOT intended to be a substitute for any form of established process, procedure, or equipment used to monitor or safeguard human health and safety in medical or clinical treatment.

## FCC/DOC Radio Frequency Interference Compliance

This equipment generates and uses radio frequency energy and, if not installed and used in strict accordance with the instructions in this manual, may cause interference to radio and television reception. This equipment has been tested and found to comply with the following two regulatory agencies:

### Federal Communications Commission

This device complies with Part 15 of the Federal Communications Commission (FCC) Rules for a Class A digital device. Operation is subject to the following two conditions:

1. This device may not cause harmful interference in commercial environments.
2. This device must accept any interference received, including interference that may cause undesired operation.

### Canadian Department of Communications

This device complies with the limits for radio noise emissions from digital apparatus set out in the Radio Interference Regulations of the Canadian Department of Communications (DOC).

Le présent appareil numérique n'émet pas de bruits radioélectriques dépassant les limites applicables aux appareils numériques de classe A prescrites dans le règlement sur le brouillage radioélectrique édicté par le ministère des communications du Canada.

### Instructions to Users

These regulations are designed to provide reasonable protection against harmful interference from the equipment to radio reception in commercial areas. Operation of this equipment in a residential area is likely to cause harmful interference, in which case the user will be required to correct the interference at his own expense.

There is no guarantee that interference will not occur in a particular installation. However, the chances of interference are much less if the equipment is installed and used according to this instruction manual.

If the equipment does cause interference to radio or television reception, which can be determined by turning the equipment on and off, one or more of the following suggestions may reduce or eliminate the problem.

- Operate the equipment and the receiver on different branches of your AC electrical system.
- Move the equipment away from the receiver with which it is interfering.
- Reorient or relocate the receiver's antenna.
- Be sure that the equipment is plugged into a grounded outlet and that the grounding has not been defeated with a cheater plug.

**Notice to user:** Changes or modifications not expressly approved by National Instruments could void the user's authority to operate the equipment under the FCC Rules.

If necessary, consult National Instruments or an experienced radio/television technician for additional suggestions. The following booklet prepared by the FCC may also be helpful: *How to Identify and Resolve Radio-TV Interference Problems*. This booklet is available from the U.S. Government Printing Office, Washington, DC 20402, Stock Number 004-000-00345-4.

# Contents

---

|                                              |      |
|----------------------------------------------|------|
| <b>About This Manual</b> .....               | xi   |
| Organization of This Manual .....            | xi   |
| How to Use This Manual .....                 | xii  |
| Related Documentation .....                  | xii  |
| Customer Communication .....                 | xii  |
| <br>                                         |      |
| <b>Chapter 1</b>                             |      |
| <b>General Information</b> .....             | 1-1  |
| Overview .....                               | 1-4  |
| Front Panel Features.....                    | 1-5  |
| What Your Kit Should Contain.....            | 1-6  |
| Optional Equipment .....                     | 1-6  |
| Unpacking .....                              | 1-7  |
| <br>                                         |      |
| <b>Chapter 2</b>                             |      |
| <b>General Description</b> .....             | 2-1  |
| Electrical Characteristics.....              | 2-1  |
| VMEbus Modules .....                         | 2-2  |
| VXI-MXI Functional Description.....          | 2-5  |
| <br>                                         |      |
| <b>Chapter 3</b>                             |      |
| <b>Configuration and Installation</b> .....  | 3-1  |
| Configuring the VXI-MXI .....                | 3-1  |
| The Metal Enclosure .....                    | 3-4  |
| VXIbus Slot 0.....                           | 3-4  |
| VXIbus Logical Address.....                  | 3-6  |
| VMEbus Request Level .....                   | 3-7  |
| VMEbus Timeout Value .....                   | 3-8  |
| VMEbus Timeout Chain Position .....          | 3-10 |
| Interlocked Arbitration Mode .....           | 3-13 |
| MXIbus System Controller .....               | 3-14 |
| MXIbus System Controller Timeout.....        | 3-16 |
| MXIbus Fairness Option .....                 | 3-17 |
| CLK10 Source.....                            | 3-18 |
| EXT CLK SMB Input/Output.....                | 3-20 |
| INTX CLK10 Mapping.....                      | 3-20 |
| Trigger Input Termination .....              | 3-22 |
| Reset Signal Select.....                     | 3-23 |
| Installing the VXI-MXI Hardware.....         | 3-23 |
| MXIbus Termination.....                      | 3-24 |
| INTX Termination .....                       | 3-25 |
| Installation Instructions .....              | 3-26 |
| Connecting the INTX Cable .....              | 3-27 |
| Connecting the MXIbus Cable.....             | 3-28 |
| System Power Cycling Requirements.....       | 3-30 |
| VMEbus Devices in VXIbus/MXIbus Systems..... | 3-31 |

## Chapter 4

|                                                 |      |
|-------------------------------------------------|------|
| <b>Register Descriptions</b> .....              | 4-1  |
| Register Maps .....                             | 4-1  |
| Register Sizes .....                            | 4-1  |
| Register Description Format .....               | 4-1  |
| Hard and Soft Reset .....                       | 4-1  |
| VXIbus Configuration Registers .....            | 4-4  |
| VXIbus ID Register .....                        | 4-4  |
| Device Type Register .....                      | 4-6  |
| VXIbus Status/Control Register .....            | 4-7  |
| VXIbus Extender Registers .....                 | 4-9  |
| MODID Register .....                            | 4-9  |
| Logical Address Window Register .....           | 4-10 |
| A16 Window Map Register .....                   | 4-14 |
| A24 Window Map Register .....                   | 4-18 |
| A32 Window Map Register .....                   | 4-22 |
| INTX Interrupt Configuration Register .....     | 4-26 |
| INTX Trigger Configuration Register .....       | 4-27 |
| INTX Utility Configuration Register .....       | 4-28 |
| Subclass Register .....                         | 4-30 |
| MXIbus Defined Registers .....                  | 4-31 |
| MXIbus Status/Control Register .....            | 4-31 |
| MXIbus Lock Register .....                      | 4-36 |
| MXIbus IRQ Configuration Register .....         | 4-37 |
| Drive Triggers/Read LA Register .....           | 4-39 |
| Trigger Mode Selection Register .....           | 4-41 |
| Interrupt Status/Control Register .....         | 4-45 |
| Status/ID Register .....                        | 4-48 |
| MXIbus Trigger Configuration Register .....     | 4-49 |
| Trigger Synchronous Acknowledge Register .....  | 4-50 |
| Trigger Asynchronous Acknowledge Register ..... | 4-50 |
| IRQ Acknowledge Registers .....                 | 4-51 |

## Chapter 5

|                                                                                  |      |
|----------------------------------------------------------------------------------|------|
| <b>Programming Considerations</b> .....                                          | 5-1  |
| System Configuration .....                                                       | 5-1  |
| Planning a VXIbus/MXIbus System Logical Address Map .....                        | 5-1  |
| Base/Size Configuration Format .....                                             | 5-3  |
| High/Low Configuration Format .....                                              | 5-5  |
| Steps to Follow When Planning a System Logical Address Map .....                 | 5-5  |
| Worksheets for Planning Your VXIbus/MXIbus Logical Address Map .....             | 5-13 |
| Alternative Worksheets for Planning Your VXIbus/MXIbus Logical Address Map ..... | 5-18 |
| Planning a VXIbus/MXIbus System A16 Address Map .....                            | 5-21 |
| Worksheets for Planning Your VXIbus/MXIbus A16 Address Map .....                 | 5-29 |
| Multiframe RM Operation .....                                                    | 5-35 |
| Configuring the Logical Address Window .....                                     | 5-35 |
| Configuring the Logical Address Window Example .....                             | 5-36 |
| Configuring the A24 and A32 Addressing Windows .....                             | 5-38 |
| System Administration and Initiation .....                                       | 5-39 |

**Chapter 6**

|                                                             |      |
|-------------------------------------------------------------|------|
| <b>Theory of Operation</b> .....                            | 6-1  |
| VMEbus Address and Address Modifier Transceivers .....      | 6-1  |
| VXIbus System Controller Functions .....                    | 6-1  |
| VMEbus Data Transceivers .....                              | 6-1  |
| VMEbus Control Signals Transceivers .....                   | 6-2  |
| VMEbus Requester and Arbiter Circuitry .....                | 6-2  |
| TTL and ECL Trigger Lines and CLK10 Circuitry .....         | 6-2  |
| SYSFAIL, ACFAIL, and SYSRESET .....                         | 6-3  |
| Interrupt Circuitry .....                                   | 6-3  |
| Parity Check and Generation .....                           | 6-6  |
| A32, A24, A16, and LA Windows .....                         | 6-6  |
| VXI-MXI Configuration Registers .....                       | 6-6  |
| MXIbus Master Mode State Machine .....                      | 6-6  |
| MXIbus Slave Mode State Machine .....                       | 6-10 |
| MXIbus Address/Data and Address Modifier Transceivers ..... | 6-11 |
| MXIbus System Controller Functions .....                    | 6-12 |
| MXIbus Control Signals Transceivers .....                   | 6-12 |
| MXIbus Requester and Arbiter Circuitry .....                | 6-12 |

**Appendix A**

|                             |     |
|-----------------------------|-----|
| <b>Specifications</b> ..... | A-1 |
|-----------------------------|-----|

**Appendix B**

|                            |     |
|----------------------------|-----|
| <b>Mnemonics Key</b> ..... | B-1 |
|----------------------------|-----|

**Appendix C**

|                                                          |     |
|----------------------------------------------------------|-----|
| <b>VXI-MXI Component Placement</b> .....                 | C-1 |
| Removing the Metal Enclosure from the VXI-MXI .....      | C-1 |
| Removing the INTX Daughter Card from the VXI-MXI .....   | C-3 |
| Installing the INTX Daughter Card onto the VXI-MXI ..... | C-4 |

**Appendix D**

|                                     |     |
|-------------------------------------|-----|
| <b>Connector Descriptions</b> ..... | D-1 |
| MXIbus Connector .....              | D-1 |
| INTX Connector .....                | D-3 |

**Appendix E**

|                                                       |     |
|-------------------------------------------------------|-----|
| <b>Configuring a Two-Frame System</b> .....           | E-1 |
| Configuring VXI-MXIs for a Two-Frame System .....     | E-1 |
| Configuration Requirements for Two-Frame System ..... | E-6 |
| BTO Unit .....                                        | E-6 |
| Logical Addresses .....                               | E-6 |
| CLK10 Mapping .....                                   | E-6 |

**Appendix F**

|                                     |     |
|-------------------------------------|-----|
| <b>Customer Communication</b> ..... | F-1 |
|-------------------------------------|-----|

|                       |            |
|-----------------------|------------|
| <b>Glossary</b> ..... | Glossary-1 |
|-----------------------|------------|

|                    |         |
|--------------------|---------|
| <b>Index</b> ..... | Index-1 |
|--------------------|---------|

## Figures

|              |                                                                    |      |
|--------------|--------------------------------------------------------------------|------|
| Figure 1-1.  | VXI-MXI Interface Module .....                                     | 1-2  |
| Figure 1-2.  | VXI-MXI Interface Module with INTX Option .....                    | 1-3  |
| Figure 2-1.  | VXI-MXI Block Diagram.....                                         | 2-6  |
| Figure 2-2.  | VXI-MXI INTX Daughter Card Option Block Diagram .....              | 2-8  |
| Figure 3-1.  | VXI-MXI Parts Locator Diagram.....                                 | 3-2  |
| Figure 3-2.  | VXI-MXI with INTX Parts Locator Diagram .....                      | 3-3  |
| Figure 3-3.  | VXIbus Slot 0 Selection .....                                      | 3-4  |
| Figure 3-4.  | VXIbus Non-Slot 0 Selection .....                                  | 3-5  |
| Figure 3-5.  | Logical Address Selection .....                                    | 3-7  |
| Figure 3-6.  | VMEbus Requester Jumper Settings .....                             | 3-8  |
| Figure 3-7.  | VMEbus Timeout Value Selection .....                               | 3-9  |
| Figure 3-8.  | VMEbus Timeout; One VXI-MXI in Mainframe .....                     | 3-10 |
| Figure 3-9.  | VMEbus Timeout; Multiple VXI-MXIs in Mainframe .....               | 3-11 |
| Figure 3-10. | No VMEbus Timeout; Multiple VXI-MXIs in Mainframe .....            | 3-12 |
| Figure 3-11. | Interlocked Arbitration Mode Selection .....                       | 3-14 |
| Figure 3-12. | MXIbus System Controller Selection .....                           | 3-15 |
| Figure 3-13. | MXIbus System Controller Timeout Value Selection .....             | 3-16 |
| Figure 3-14. | MXIbus Fair Requester Selection .....                              | 3-17 |
| Figure 3-15. | CLK10 Source Signal Options .....                                  | 3-19 |
| Figure 3-16. | EXT CLK SMB Input/Output Setting .....                             | 3-20 |
| Figure 3-17. | INTX CLK10 Mapping Switches .....                                  | 3-21 |
| Figure 3-18. | Trigger Input Termination Option Settings .....                    | 3-22 |
| Figure 3-19. | Reset Signal Selection Settings .....                              | 3-23 |
| Figure 3-20. | MXIbus System .....                                                | 3-24 |
| Figure 3-21. | MXIbus Terminating Networks .....                                  | 3-25 |
| Figure 3-22. | INTX Terminator Example.....                                       | 3-26 |
| Figure 3-23. | MXIbus Single-Ended Cable Configuration .....                      | 3-28 |
| Figure 3-24. | MXIbus Dual-Ended Cable Configuration .....                        | 3-29 |
| Figure 4-1.  | VXI-MXI Register Map .....                                         | 4-3  |
| Figure 5-1.  | VXIbus/MXIbus System with Multiframe RM on a PC .....              | 5-2  |
| Figure 5-2.  | VXIbus/MXIbus System with Multiframe RM in a VXIbus Mainframe..... | 5-2  |
| Figure 5-3.  | Base and Size Combinations .....                                   | 5-4  |
| Figure 5-4.  | Address Range Allocation for Different Size Values .....           | 5-4  |
| Figure 5-5.  | Example VXIbus/MXIbus System .....                                 | 5-8  |
| Figure 5-6.  | Logical Address Map Diagram for Example VXIbus/MXIbus System ..... | 5-9  |
| Figure 5-7.  | Worksheet 1 for Example VXIbus/MXIbus System .....                 | 5-10 |
| Figure 5-8.  | Worksheet 2 for Example VXIbus/MXIbus System .....                 | 5-11 |
| Figure 5-9.  | Worksheet 3 for Example VXIbus/MXIbus System .....                 | 5-12 |
| Figure 5-10. | Worksheet 4 for Example VXIbus/MXIbus System .....                 | 5-12 |
| Figure 5-11. | Logical Address Map Example with Alternative Worksheet .....       | 5-20 |
| Figure 5-12. | A16 Space Allocations for all Size Values .....                    | 5-22 |
| Figure 5-13. | Example VXIbus/MXIbus System .....                                 | 5-24 |
| Figure 5-14. | Example A16 Space Address Map .....                                | 5-25 |
| Figure 5-15. | Worksheet 1 for A16 Address Map Example .....                      | 5-26 |
| Figure 5-16. | Worksheet 2 for A16 Map Example .....                              | 5-27 |
| Figure 5-17. | Worksheet 3 for A16 Map Example .....                              | 5-28 |



|             |                                                       |      |
|-------------|-------------------------------------------------------|------|
| Figure 6-1. | Master to Slave VMEbus/MXibus Transfers .....         | 6-7  |
| Figure 6-2. | Deadlock Situation.....                               | 6-10 |
| Figure C-1. | VXI-MXI Parts Locator Diagram.....                    | C-2  |
| Figure C-2. | VXI-MXI INTX Parts Locator Diagram (Rear View) .....  | C-3  |
| Figure C-3. | VXI-MXI INTX Parts Locator Diagram (Front View) ..... | C-4  |
| Figure D-1. | MXibus Connector .....                                | D-1  |
| Figure D-2. | INTX Connector .....                                  | D-3  |
| Figure E-1. | A Two-Frame VXI System.....                           | E-1  |
| Figure E-2. | VXI-MXI in Frame A without INTX .....                 | E-2  |
| Figure E-3. | VXI-MXI in Frame B without INTX .....                 | E-3  |
| Figure E-4. | VXI-MXI in Frame A with INTX .....                    | E-4  |
| Figure E-5. | VXI-MXI in Frame B with INTX .....                    | E-5  |

## Tables

|            |                                                                   |      |
|------------|-------------------------------------------------------------------|------|
| Table 2-1. | VXI-MXI VMEbus Signals .....                                      | 2-1  |
| Table 2-2. | MXibus Transceiver Requirements .....                             | 2-2  |
| Table 2-3. | VXI-MXI VMEbus Compliance Levels.....                             | 2-3  |
| Table 3-1. | MXibus System Power Cycling Requirements .....                    | 3-30 |
| Table 4-1. | VXI-MXI Register Map .....                                        | 4-2  |
| Table 5-1. | Base and Size Combinations .....                                  | 5-3  |
| Table 5-2. | Example VXibus/MXibus System Required Logical Addresses .....     | 5-8  |
| Table 5-3. | Amount of A16 Space Allocated for all Size Values .....           | 5-21 |
| Table 5-4. | Example VXibus/MXibus System Required A16 Space .....             | 5-25 |
| Table 5-5. | Logical Address Assignments for Example VXibus/MXibus System..... | 5-36 |
| Table 6-1. | VXI-MXI Addresses for VMEbus Interrupt Levels .....               | 6-5  |
| Table 6-2. | VMEbus to MXibus Address Modifier Line Map .....                  | 6-7  |
| Table 6-3. | Transfer Responses for VMEbus Address Modifiers .....             | 6-8  |
| Table 6-4. | VMEbus/MXibus Transfer Size Comparison .....                      | 6-9  |
| Table D-1. | MXibus Connector Signal Assignments .....                         | D-1  |
| Table D-2. | MXibus Signal Groupings .....                                     | D-2  |
| Table D-3. | INTX Connector Signal Assignments .....                           | D-3  |
| Table D-4. | INTX Signal Groupings.....                                        | D-4  |

# About This Manual

---

The *VXI-MXI User Manual* describes the functional, physical, and electrical aspects of the VXI-MXI and contains information concerning its operation and programming.

## Organization of This Manual

The *VXI-MXI User Manual* is organized as follows:

- Chapter 1, *General Information*, describes the VXI-MXI features, lists the contents of your VXI-MXI kit, and explains how to unpack the VXI-MXI kit.
- Chapter 2, *General Description*, contains the physical and electrical specifications for the VXI-MXI and describes the characteristics of key components.
- Chapter 3, *Configuration and Installation*, describes the configuration and installation of the VXI-MXI hardware.
- Chapter 4, *Register Descriptions*, contains detailed descriptions of the VXI-MXI registers, which are used to configure and control the module's operation.
- Chapter 5, *Programming Considerations*, explains important considerations for programming the VXI-MXI and configuring a system using VXI-MXIs.
- Chapter 6, *Theory of Operation*, contains a functional overview of the VXI-MXI board and explains the operation of each functional block making up the VXI-MXI.
- Appendix A, *Specifications*, lists the specifications of the VXI-MXI.
- Appendix B, *Mnemonics Key*, contains an alphabetical listing of all mnemonics used in this manual.
- Appendix C, *VXI-MXI Component Placement*, contains information on the component placement and describes how to remove the metal enclosure and INTX daughter card.
- Appendix D, *Connector Descriptions*, describes the connector pin assignments for the MXIbus connector.
- Appendix E, *Configuring a Two-Frame System*, describes how to configure a system containing two mainframes linked by VXI-MXI modules.
- Appendix F, *Customer Communication*, contains forms you can use to request help from National Instruments or to comment on our products and manuals.
- The *Glossary* contains an alphabetical list and description of terms used in this manual, including abbreviations, acronyms, metric prefixes, and symbols.
- The *Index* contains an alphabetical list of key terms and topics in this manual, including the page where you can find each one.

## How to Use This Manual

If you will be installing your VXI-MXI into a system with a VXIbus Resource Manager, you only need to read Chapters 1 through 3 of this manual. If you have more than two VXI-MXIs extending your system, you will find useful system configuration information in Chapter 5. Appendix E is a quick reference for users who have a system containing two mainframes linked by VXI-MXI modules. If you are writing your own VXIbus Resource Manager routines, you can find programming information and descriptions of the VXI-MXI hardware in Chapters 4 through 6.

## Related Documentation

The following manuals contain information that you may find helpful as you read this manual:

- *IEEE Standard for a Versatile Backplane Bus: VMEbus*, ANSI/IEEE Standard 1014-1987
- *Multisystem Extension Interface Bus Specification*, Version 1.2 (part number 340007-01)
- *VXIbus System Specification*, Revision 1.4, VXIbus Consortium (available from National Instruments, part number 350083-01)

## Customer Communication

National Instruments wants to receive your comments on our products and manuals. We are interested in the applications you develop with our products, and we want to help if you have problems with them. To make it easy for you to contact us, this manual contains comment and configuration forms for you to complete. These forms are in Appendix F, *Customer Communication*, at the end of this manual.

# Chapter 1

## General Information

---

This chapter describes the VXI-MXI features, lists the contents of your VXI-MXI kit, and explains how to unpack the VXI-MXI kit.

The VXI-MXI interface is a C-size extended class mainframe extender for the VXIbus (VMEbus Extensions for Instrumentation). It extends the VXIbus architecture outside a VXIbus mainframe via the MXIbus (Multisystem Extension Interface bus). A VXIbus mainframe equipped with a VXI-MXI can be transparently connected to other MXIbus devices such as other VXIbus mainframes, MXIbus instruments, or MXIbus-equipped personal computers. The VXI-MXI interface module uses address mapping to transparently translate bus cycles on the VXIbus system bus (VMEbus) to the MXIbus and vice versa.

The VXI-MXI is housed in a metal enclosure to improve EMI performance and to provide easy handling. Because the enclosure includes cut-outs to facilitate changes to switch and jumper settings, it should not be necessary to remove it under most circumstances.

The VXI-MXI is available with an Interrupt and Timing Extension (INTX) daughter card option. If you ordered this option, the INTX card is already installed on your VXI-MXI. The INTX daughter card is a full-length daughter card that plugs into the two daughter card connectors on the VXI-MXI. Because this manual describes the VXI-MXI with and without this option, you can find information on the INTX card throughout this manual. Refer also to Appendix C, *VXI-MXI Component Placement*, for information on removing and reinstalling the INTX daughter card. This appendix also contains silkscreens of the VXI-MXI and the INTX card.

Figure 1-1 shows the enclosed VXI-MXI interface module without the INTX option. Figure 1-2 shows the enclosed VXI-MXI interface module with the INTX option.



Figure 1-1. VXI-MXI Interface Module

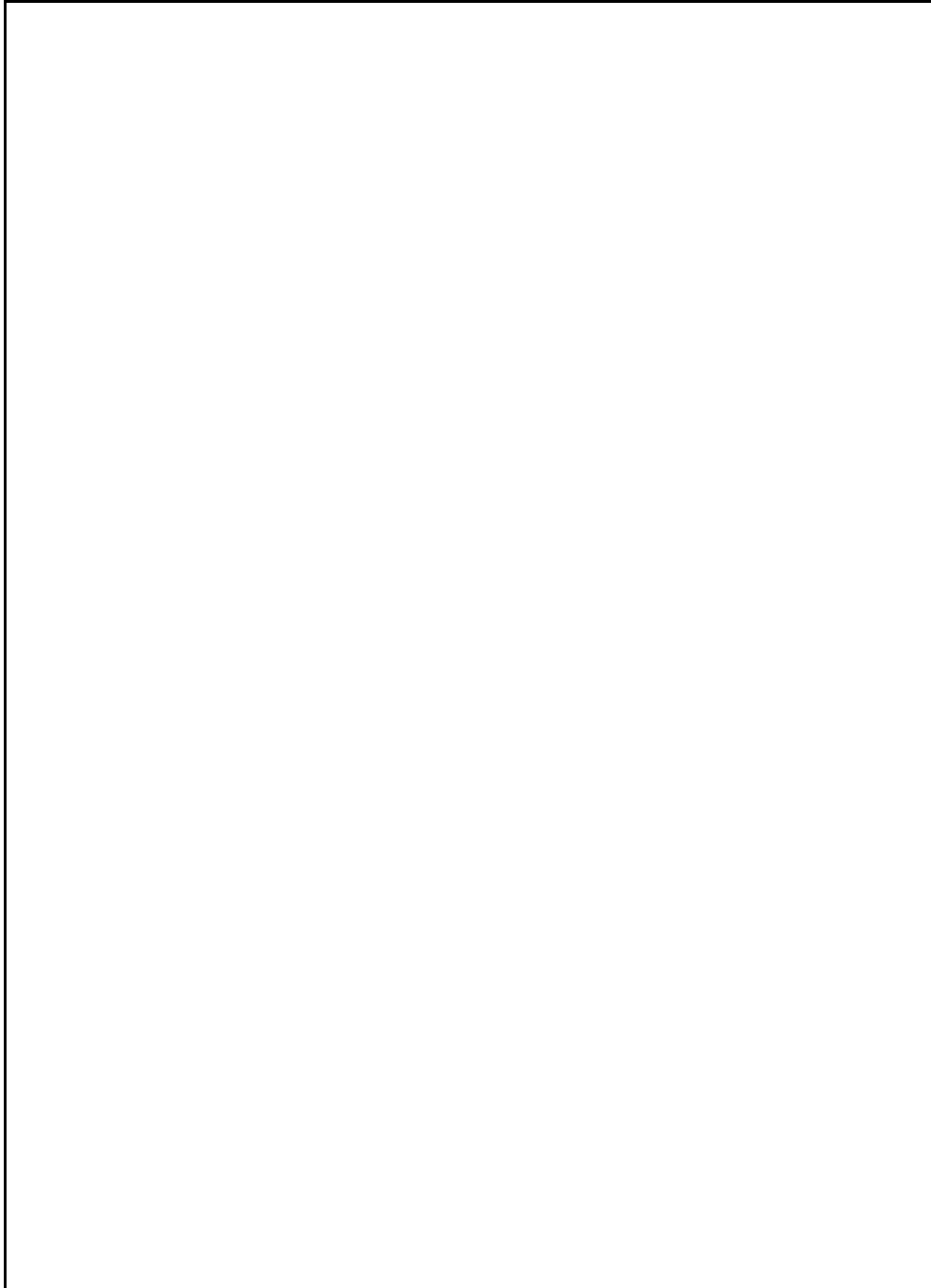


Figure 1-2. VXI-MXI Interface Module with INTX Option

## Overview

The VXI-MXI is an extended class Register-Based VXIbus device with optional Slot 0 capability so that it can reside in any slot in a C-size or D-size VXIbus chassis. The VXI-MXI converts A32, A24, A16, D32, D16, and D08(EO) VXIbus bus cycles into MXIbus bus cycles and vice versa. The VXI-MXI has four address windows that map into and out of the VXIbus mainframe. These four windows represent the three VMEbus address spaces (A32, A24, and A16) plus a dedicated window for mapping the VXIbus configuration space (the upper 16 kilobytes of A16 space).

The MXIbus is a multidrop system bus that connects multiple devices at the hardware bus level in a software-transparent manner. Multiple VXIbus mainframes with VXI-MXI interfaces can be connected to form a single multiframe VXIbus system. An external PC with a MXIbus interface can also be connected to a VXIbus mainframe with a VXI-MXI. This configuration makes the PC appear to be embedded on a VXIbus module that is plugged into the VXIbus mainframe.

Multiple MXIbus devices are tightly coupled by mapping together portions of each device's address space and locking the internal hardware bus cycles to the MXIbus. The window address circuitry on each MXIbus device monitors internal local bus cycles to detect bus cycles that map across the MXIbus. Similarly, external MXIbus cycles are monitored to detect MXIbus cycles that map into the VXIbus system. MXIbus devices can operate in parallel at full speed over their local system bus and need to synchronize operation with another device only when addressing or being addressed by a resource located on another MXIbus device. The MXIbus device originating the transaction must gain ownership of both the MXIbus and the local bus in the target MXIbus device. All hardware bus cycles are then coupled across the MXIbus and local buses before the transfer completes.

The VXI-MXI has the following features:

- Interfaces the VXIbus to the MXIbus (32-bit Multisystem eXtension Interface bus)
- Extends VXIbus to multiple mainframes, external MXIbus-equipped instruments, and external MXIbus-equipped personal computers (PCs)
- Allows multiple VXIbus mainframes to appear as a single VXIbus system
- Provides integrated block mode for high-performance data transfers
- Supports dynamic configuration of VXIbus devices
- Provides optional interlocked bus operation for prevention of deadlock conditions
- Includes daughter card connector scheme giving additional functionality for optional daughter cards
- Is fully compatible with VXIbus and MXIbus specifications
- Has no restrictions on Commander/Servant hierarchy or physical location of devices

The VXI-MXI generates all the support signals required by the VMEbus:

- VMEbus System Controller functions:
  - 16 MHz system clock driver
  - VME bus timeout (BTO)

- Data transfer bus arbiter (PRI ARBITER)
- Interrupt acknowledge daisy-chain driver
- Pushbutton system reset switch
- VMEbus master capabilities:
  - Access to A16, A24, and A32 address space
  - D08(EO), D16, and D32 accesses
  - Release-on-Request bus requester (jumper-selectable arbitration level)
- VMEbus slave accesses:
  - A16, A24, and A32 address space
  - D08(EO), D16, and D32 accesses
- VXIbus Slot 0 functions:
  - 10 MHz clock
  - MODID register
  - TTL and ECL Trigger line support

All integrated circuit drivers and receivers used on the VXI-MXI meet the requirements of both the VMEbus specification and the MXIbus specification.

## Front Panel Features

The VXI-MXI has the following front panel features:

- Three front panel LEDs
  - *FAILED* LED indicates that the VMEbus SYSFAIL line is asserted.
  - *VXI ACCESS* LED indicates when the VXI-MXI is accessed from the VXIbus.
  - *MXI ACCESS* LED indicates when the VXI-MXI is accessed from the MXIbus.
- MXIbus connector
- Three SMB connectors
  - Trigger input
  - Trigger output
  - External clock input or output (configurable)
- System reset pushbutton
- INTX connector (if your VXI-MXI includes the INTX daughter card option)



## What Your Kit Should Contain

Your VXI-MXI kit should contain the following components:

| Component                                                                                     | Part Number                |
|-----------------------------------------------------------------------------------------------|----------------------------|
| Standard VXI-MXI Interface Module<br>or<br>Enhanced VXI-MXI Interface Module with INTX option | 181045-01<br><br>181045-02 |
| <i>VXI-MXI User Manual</i>                                                                    | 320222-01                  |

## Optional Equipment

| Equipment                                                                                                                                                                                                          | Part Number                                                   |
|--------------------------------------------------------------------------------------------------------------------------------------------------------------------------------------------------------------------|---------------------------------------------------------------|
| Type M1 MXIbus Cables<br>Straight-point connector to straight-point connector:<br><ul style="list-style-type: none"> <li>– 1 m</li> <li>– 2 m</li> <li>– 4 m</li> <li>– 8 m</li> <li>– 20 m</li> </ul>             | 180758-01<br>180758-02<br>180758-04<br>180758-08<br>180758-20 |
| Type M2 MXIbus Cables<br>Straight-point connector to right-angle daisy-chain connector:<br><ul style="list-style-type: none"> <li>– 1 m</li> <li>– 2 m</li> <li>– 4 m</li> <li>– 8 m</li> <li>– 20 m</li> </ul>    | 180760-01<br>180760-02<br>180760-04<br>180760-08<br>180760-20 |
| Type M3 MXIbus Cables<br>Right-angle point connector to right-angle daisy-chain connector:<br><ul style="list-style-type: none"> <li>– 1 m</li> <li>– 2 m</li> <li>– 4 m</li> <li>– 8 m</li> <li>– 20 m</li> </ul> | 180761-01<br>180761-02<br>180761-04<br>180761-08<br>180761-20 |
| MXIbus Terminating Pac (External)                                                                                                                                                                                  | 180780-01                                                     |

The following optional equipment is also available and may be necessary if your VXI-MXI includes the INTX daughter card.

| Equipment                                                                                                                            | Part Number                                                   |
|--------------------------------------------------------------------------------------------------------------------------------------|---------------------------------------------------------------|
| Type INTX1 Cables<br>Straight-point connector to straight-point connector:<br>– 1 m<br>– 2 m<br>– 4 m<br>– 8 m<br>– 20 m             | 180980-01<br>180980-02<br>180980-04<br>180980-08<br>180980-20 |
| Type INTX2 Cables<br>Right-angle point connector to right-angle daisy-chain connector:<br>– 1 m<br>– 2 m<br>– 4 m<br>– 8 m<br>– 20 m | 180982-01<br>180982-02<br>180982-04<br>180982-08<br>180982-20 |

## Unpacking

Follow these steps when unpacking your VXI-MXI:

1. Before attempting to configure or install the VXI-MXI, inspect the shipping container and its contents for damage. If damage appears to have been caused in shipment, file a claim with the carrier. Retain the packing material for possible inspection and/or for reshipment.
2. Verify that the pieces contained in the package you received match the kit parts list. *Do not* remove the board from its bag at this point.
3. Your VXI-MXI module is shipped packaged in an antistatic plastic bag to prevent electrostatic damage to the module. Several components on the module can be damaged by electrostatic discharge. To avoid such damage while handling the module, touch the plastic bag to a metal part of your grounded VXIbus mainframe chassis before removing the module from the bag.
4. As you remove the VXI-MXI module from its bag, be sure to handle it only by its edges. Avoid touching any of the IC components or connectors. Inspect the module for loose components or any other sign of damage. Notify National Instruments if the module appears damaged in any way. *Do not* install a damaged module into your VXIbus mainframe.

# Chapter 2

## General Description

---

This chapter contains the physical and electrical specifications for the VXI-MXI and describes the characteristics of key interface board components.

### Electrical Characteristics

All integrated circuit drivers and receivers used on the VXI-MXI meet the requirements of the VMEbus specification. Table 2-1 contains a list of the VMEbus signals used by the VXI-MXI and the electrical loading presented by the circuitry on the interface board (in terms of device types and their part numbers).

**Note:** *Throughout this manual, an asterisk (\*) following a bus signal mnemonic indicates that the signal is active low.*

Table 2-1. VXI-MXI VMEbus Signals

| Bus Signals              | Driver Device Part Number | Receiver Device Part Number |
|--------------------------|---------------------------|-----------------------------|
| D[31-0], A[31-1],        | ALS645-1                  | ALS645-1                    |
| AM[5-0], LWORD           | ALS646-1                  | ALS646-1                    |
| DS0*, DS1*, WRITE*       | F125                      | ALS244                      |
| AS*                      | F125                      | ALS240                      |
| SYSCLK                   | F125                      | —                           |
| BG[3-0]IN*               | —                         | HCT273,<br>GAL16V8          |
| BG[3-0]OUT*              | LS32                      | —                           |
| BBSY*, SYSFAIL*, ACFAIL* | F38                       | ALS240                      |
| BR[3-0]*, DTACK*, BERR*  | F38                       | ALS244                      |
| SYSRESET*                | AS760                     | ALS244                      |
| IACK*                    | F38                       | —                           |

(continues)

Table 2-1. VXI-MXI VMEbus Signals (Continued)

| Bus Signals | Driver Device Part Number | Receiver Device Part Number |
|-------------|---------------------------|-----------------------------|
| IACKIN*     | –                         | LS540                       |
| IACKOUT*    | GAL20V8                   | –                           |
| IRQ[7-1]*   | AS760,<br>LS145           | LS540                       |

All MXIbus transceivers meet the requirements of the MXIbus specification. Table 2-2 lists the components used.

Table 2-2. MXIbus Transceiver Requirements

| Transceivers         | Component Designation |
|----------------------|-----------------------|
| Data Transceivers    | DS3862                |
| Control Transceivers | DS3662                |

## VMEbus Modules

The VXI-MXI has the following VMEbus modules:

- VMEbus Requester
- VMEbus Master
- VMEbus Slave
- Interrupter
- IACK Daisy-Chain Driver

When the VXI-MXI is configured as a VXIbus Slot 0 device, it also has the following VMEbus modules:

- VMEbus Timer
- Arbiter
- System Clock Driver

The VXI-MXI does not support the following VMEbus modules:

- Serial Clock Driver
- Power Monitor

Table 2-3 indicates the VXI-MXI VMEbus compliance levels.

Table 2-3. VXI-MXI VMEbus Compliance Levels

| <b>Compliance Notation</b>     | <b>Description</b>                                                                  |
|--------------------------------|-------------------------------------------------------------------------------------|
| Bus Slave Compliance Levels    |                                                                                     |
| D08(O)                         | 8-bit data path to configuration registers and MXIbus                               |
| D16 & D08(E0)                  | 8-bit or 16-bit data path to configuration registers or MXIbus                      |
| D32                            | 32-bit data path to MXIbus                                                          |
| A16                            | Responds to 16-bit short I/O addresses when specified on the address modifier lines |
| A24                            | Responds to 24-bit memory addresses when specified on the address modifier lines    |
| A32                            | Responds to 32-bit memory addresses when specified on the address modifier lines    |
| ADO                            | Accommodates address-only cycles                                                    |
| BLT                            | Responds to block mode transfers                                                    |
| RMW                            | Can accept Read-Modify-Write cycles                                                 |
| DTB Arbiter Compliance Level   |                                                                                     |
| PRI                            | Monitors BR3* through BR0* and drives BG3OUT* through BG0OUT* and BCLR*             |
| DTB Requester Compliance Level |                                                                                     |
| ROR                            | Release-on-Request                                                                  |

(continues)

Table 2-3. VXI-MXI VMEbus Compliance Levels (Continued)

| Compliance Notation                                                                                                                           | Description                                                                                                                                                                                                                                                                                                                                                                                                                                                                                                                                          |
|-----------------------------------------------------------------------------------------------------------------------------------------------|------------------------------------------------------------------------------------------------------------------------------------------------------------------------------------------------------------------------------------------------------------------------------------------------------------------------------------------------------------------------------------------------------------------------------------------------------------------------------------------------------------------------------------------------------|
| <p>Bus Master Compliance Levels</p> <p>D08(E0)</p> <p>D16 &amp; D08(E0)</p> <p>D32</p> <p>A16</p> <p>A24</p> <p>A32</p> <p>BLT</p> <p>RMW</p> | <p>8-bit data path from MXIbus</p> <p>8-bit or 16-bit data path from MXIbus</p> <p>32-bit data path from MXIbus</p> <p>Generates 16-bit short I/O addresses when specified by the MXIbus address modifier lines</p> <p>Generates 24-bit memory addresses when specified by the MXIbus address modifier lines</p> <p>Generates 32-bit memory addresses when specified by the MXIbus address modifier lines</p> <p>Generates block mode transfers when specified by the MXIbus address modifier lines</p> <p>Can generate Read-Modify-Write cycles</p> |
| <p>Interrupter Compliance Levels</p> <p>I(7-1)</p> <p>D16 &amp; D32</p> <p>ROAK</p>                                                           | <p>Can generate an interrupt request on interrupt lines IRQ7 through IRQ1</p> <p>Responds to 16-bit and 32-bit interrupt acknowledge cycles by providing a 16-bit Status/ID byte on D00 through D15</p> <p>Releases its interrupt request line when its Status/ID is read during an interrupt acknowledge cycle</p>                                                                                                                                                                                                                                  |
| <p>Interrupt Handler Compliance Levels</p> <p>IH(7-1)</p> <p>D16</p>                                                                          | <p>Can generate interrupt acknowledge cycles in response to interrupt requests on IRQ7 through IRQ1</p> <p>Generates a 16-bit interrupt acknowledge cycle in response to a VMEbus interrupt request</p>                                                                                                                                                                                                                                                                                                                                              |

## VXI-MXI Functional Description

In simplest terms, the VXI-MXI can be thought of as a bus translator that converts VXIbus signals into appropriate MXIbus signals. From the perspective of the MXIbus, the VXI-MXI implements a MXIbus interface to communicate with other MXIbus devices. From the perspective of the VMEbus, the VXI-MXI is an interface to the outside world.

Figure 2-1 is a functional block diagram of the VXI-MXI. Refer to Chapter 6, *Theory of Operation* for more details about the major components of the VXI-MXI.

- **VMEbus Address and Address Modifiers Transceivers** These transceivers control the direction of the VMEbus address lines and latch the status of the address lines on the falling edge of the VMEbus address strobe.
- **VXIbus System Controller Functions** If the VXI-MXI is selected as the VMEbus System Controller, this circuitry generates the 16 MHz system clock, provides the VMEbus arbiter and the VMEbus Bus Timer Unit, and drives the VXIbus CLK10 signal.
- **VMEbus Data Transceivers** These transceivers control the direction of the VMEbus data lines and meet VMEbus specifications for timing and signal loading.
- **VMEbus Control Signals Transceivers** These transceivers control the direction of the VMEbus control signals and meet VMEbus specifications for timing and signal loading.
- **VMEbus Requester and Arbiter Circuitry** This circuitry is used to request the VMEbus and to provide the VMEbus arbiter function if the VXI-MXI is the VMEbus System Controller.
- **TTL and ECL Trigger Lines and CLK10 Circuitry** This circuitry controls the sending and receiving of the TTL and ECL Trigger lines to and from the SMB connectors on the front panel and from onboard registers. This logic also controls whether the VXI-MXI receives the CLK10 signal from another VXIbus device, or drives the signal from an onboard 10 MHz oscillator or from an external signal connected to the EXT CLK SMB connector on the front panel.
- **SYSFAIL, ACFAIL, and SYSRESET** Through this circuitry, the VMEbus signals SYSFAIL, ACFAIL and SYSRESET connect to the corresponding signals on the daughter card connections. These three signals can also be individually enabled to generate a VMEbus interrupt. With control bits in onboard registers, SYSFAIL and SYSRESET can also be driven on the VMEbus backplane.

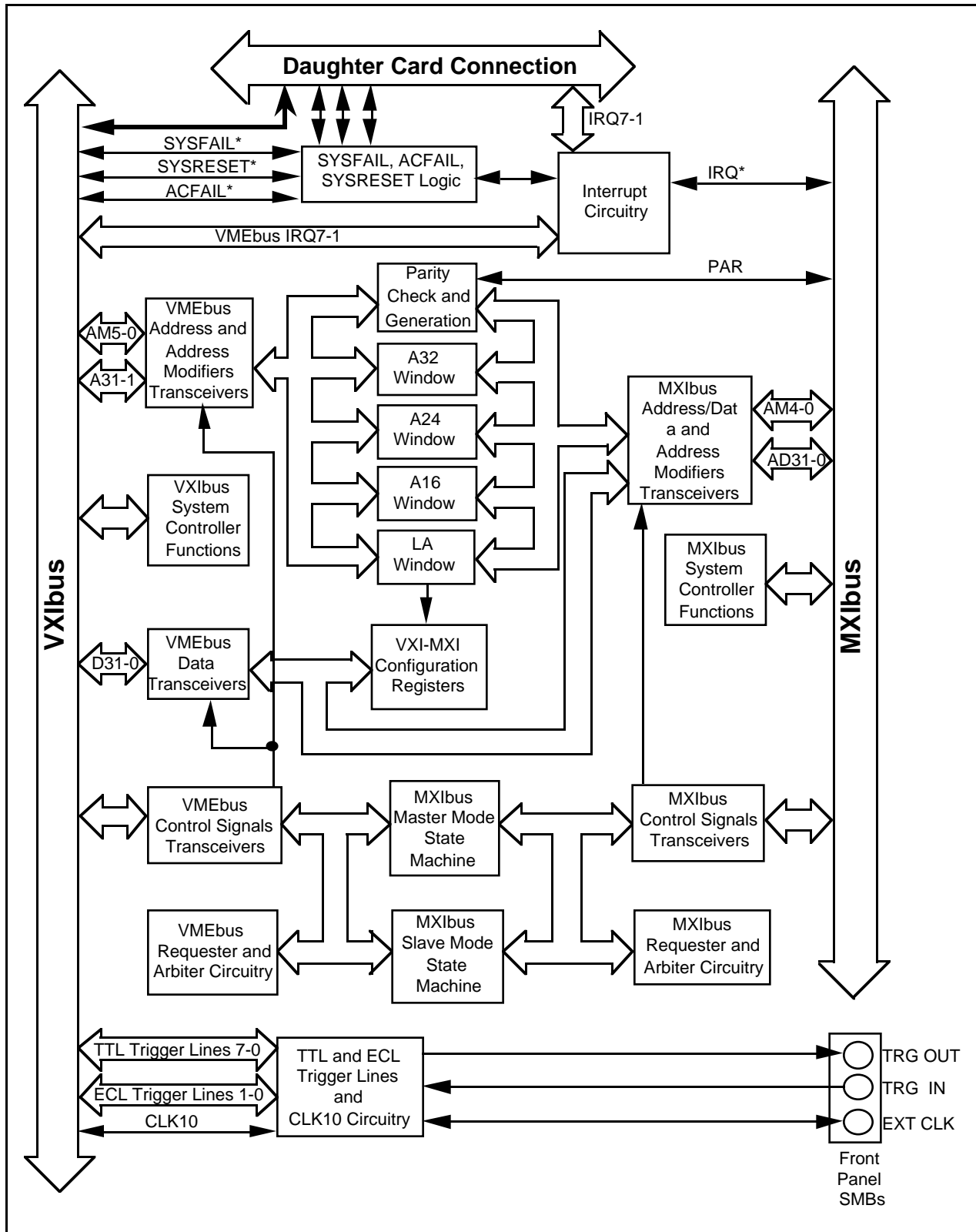


Figure 2-1. VXI-MXI Block Diagram



- **Interrupt Circuitry**  
This circuitry generates and receives interrupt requests on the VMEbus, the MXIbus, and on boards plugged into the daughter card connectors. Interrupt requests routed between VXIbus mainframes can be transparently serviced by interrupt handlers in VXIbus mainframes other than the requester's own mainframe.
- **Parity Check and Generation**  
This circuitry checks and generates MXIbus parity.
- **A32, A24, A16 and LA Windows**  
These address windows assign portions of the MXIbus address space to the VXIbus mainframe and vice versa.
- **VXI-MXI Configuration Registers**  
These registers provide all the configuration information required by the VXI-MXI and are accessible from both the VXIbus and the MXIbus.
- **MXIbus Master Mode State Machine**  
This state machine converts VXIbus cycles mapped out of a MXIbus window to the MXIbus into MXIbus cycles.
- **MXIbus Slave Mode State Machine**  
This state machine converts MXIbus cycles mapped through a MXIbus window into the VXIbus mainframe into VXIbus cycles.
- **MXIbus Address/Data and Address Modifiers Transceivers**  
These transceivers and associated circuitry control the direction of the MXIbus address and data lines. When a VXIbus transfer is mapped out to the MXIbus, the VXIbus address/data lines are multiplexed into the MXIbus address/data lines. When a MXIbus transfer is mapped into the VXIbus, the MXIbus address/data lines are demultiplexed into separate VXIbus address and data lines.
- **MXIbus System Controller Functions**  
If the VXI-MXI is the MXIbus System Controller, this circuitry provides the MXIbus arbiter, interrupt daisy-chain generation, and the MXIbus System Controller timeout logic.
- **MXIbus Control Signals Transceivers**  
These transceivers control the direction of the MXIbus control signals.
- **MXIbus Requester and Arbiter Circuitry**  
This circuitry is used to request the MXIbus when a VXIbus transfer is mapped into a MXIbus window.
- **Daughter Card Connection**  
The two daughter card connectors can be used to add additional functionality to the VXI-MXI in the form of plug-in daughter cards.

The following information applies only to VXI-MXI kits that include the INTX daughter card option. Figure 2-2 is a block diagram of the circuitry of the INTX daughter card.

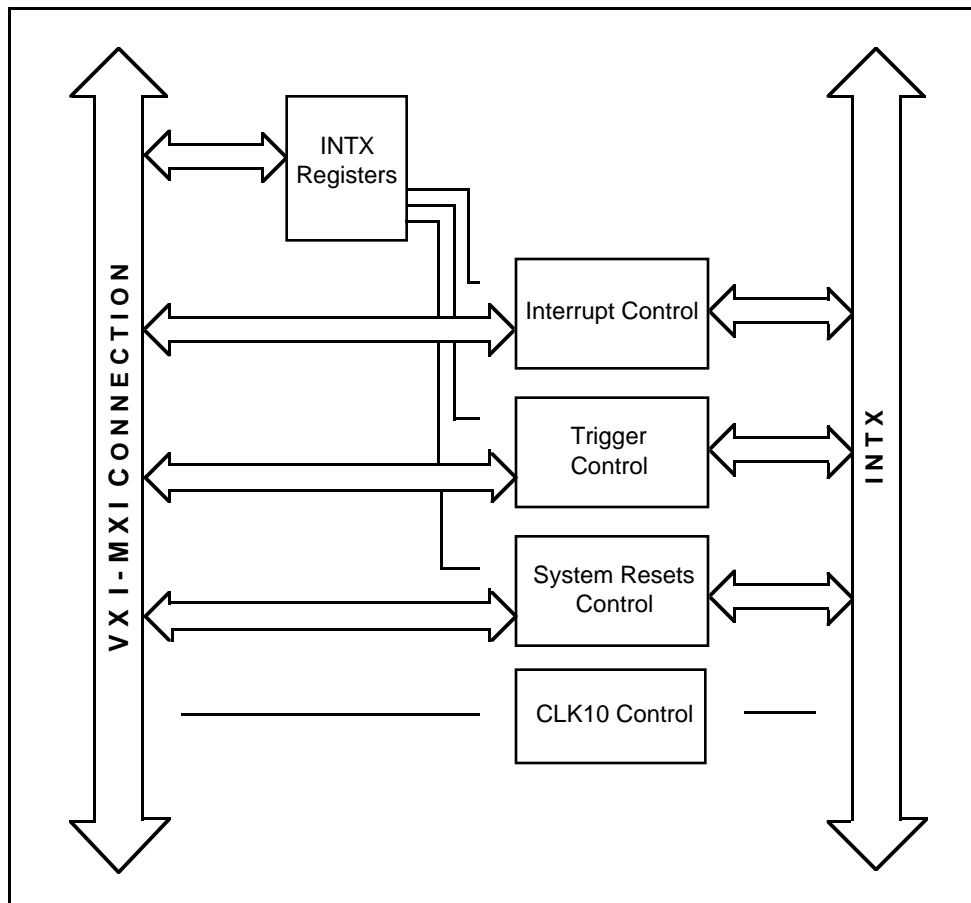


Figure 2-2. VXI-MXI INTX Daughter Card Option Block Diagram

- INTX Registers

The INTX card has three onboard registers that reside in the VXI-MXI configuration space: the INTX Interrupt Configuration Register, the INTX Trigger Configuration Register, and the INTX Utility Configuration Register. These registers configure the mapping of the VMEbus interrupt lines, the VXIbus trigger lines and the SYSRESET, SYSFAIL, and ACFAIL lines to and from the INTX connector. The INTX card also drives the Extended Device Type Class field in the VXIbus Status/Control Register when that register is accessed on the VXI-MXI.

- Interrupt Control

The interrupt control logic maps the VMEbus interrupt lines to and from the corresponding INTX interrupt lines. In conjunction with the VXI-MXI circuitry, the interrupt requests routed between VXIbus mainframes through the INTX connector can be transparently serviced by interrupt handlers in VXIbus mainframes other than the mainframe from which the request was generated. This process takes advantage of transparent MXIbus interrupt acknowledge cycles.

When an interrupt request received from across the INTX is driven on the corresponding VMEbus interrupt line, an interrupt handler in the receiving VXIbus mainframe generates an interrupt acknowledge cycle for that interrupt request. This interrupt acknowledge cycle is transparently converted into a MXIbus interrupt acknowledge cycle for that interrupt request level. Similarly, when a VMEbus interrupt line is driven out of the VXIbus mainframe across the INTX connection, an interrupt handler in another VXIbus mainframe can generate an interrupt acknowledge cycle to handle that interrupt. The VXI-MXI in the requesting mainframe recognizes that the MXIbus interrupt acknowledge cycle is for the request it is driving and converts the cycle into a VMEbus interrupt acknowledge cycle that can service the VMEbus interrupt requester.

- Trigger Control

The trigger control logic maps the VXIbus TTL trigger lines to and from the corresponding INTX trigger lines.

- System Resets Control

The system resets control circuitry maps the VMEbus signals SYSRESET, SYSFAIL, and ACFAIL to the corresponding signals on the INTX connection.

- CLK10 Control

The CLK10 control circuitry routes the VMEbus 10 MHz signal to and from the INTX connection. The configuration of the CLK10 mapping is controlled by three switches on the INTX daughter card. Refer to the *INTX CLK10 Mapping* section of Chapter 3, *Configuration and Installation*, for instructions on configuring these switches.

# Chapter 3

## Configuration and Installation

---

This chapter describes the configuration and installation of the VXI-MXI.

### Configuring the VXI-MXI

Before installing the VXI-MXI in the VXIbus mainframe, configure the VXI-MXI to suit the needs for your VXIbus system. The VXI-MXI module contains jumpers, switches, and slide switches that you can use to configure the following options:

- VXIbus Slot 0
- VXIbus Logical Address
- VMEbus Request Level
- VMEbus Timeout Value
- VMEbus Timeout Chain Position
- Interlocked Arbitration Mode
- MXIbus System Controller
- MXIbus System Controller Timeout
- MXIbus Fairness Option
- CLK10 Source
- EXT CLK SMB Input/Output
- Trigger Input Termination
- Reset Signal Select

If your VXI-MXI module includes the INTX daughter card option, you can also configure the following option:

- CLK10 Mapping

Figure 3-1 shows the locations and factory default settings of the VXI-MXI configuration jumpers and switches for a VXI-MXI without the INTX option.

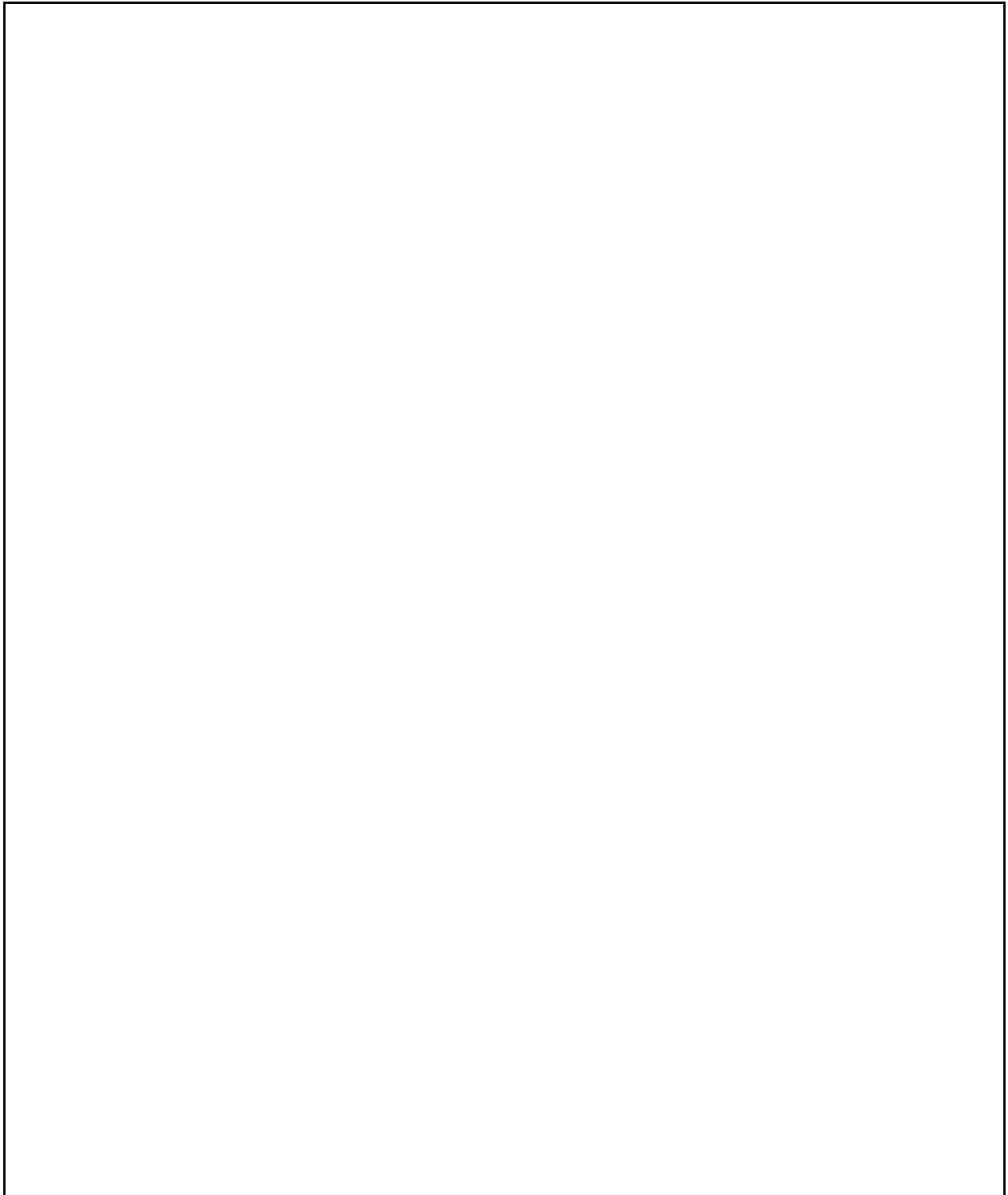


Figure 3-1. VXI-MXI Parts Locator Diagram

Figure 3-2 shows the locations and factory default settings of the VXI-MXI configuration jumpers and switches for a VXI-MXI with the INTX option.

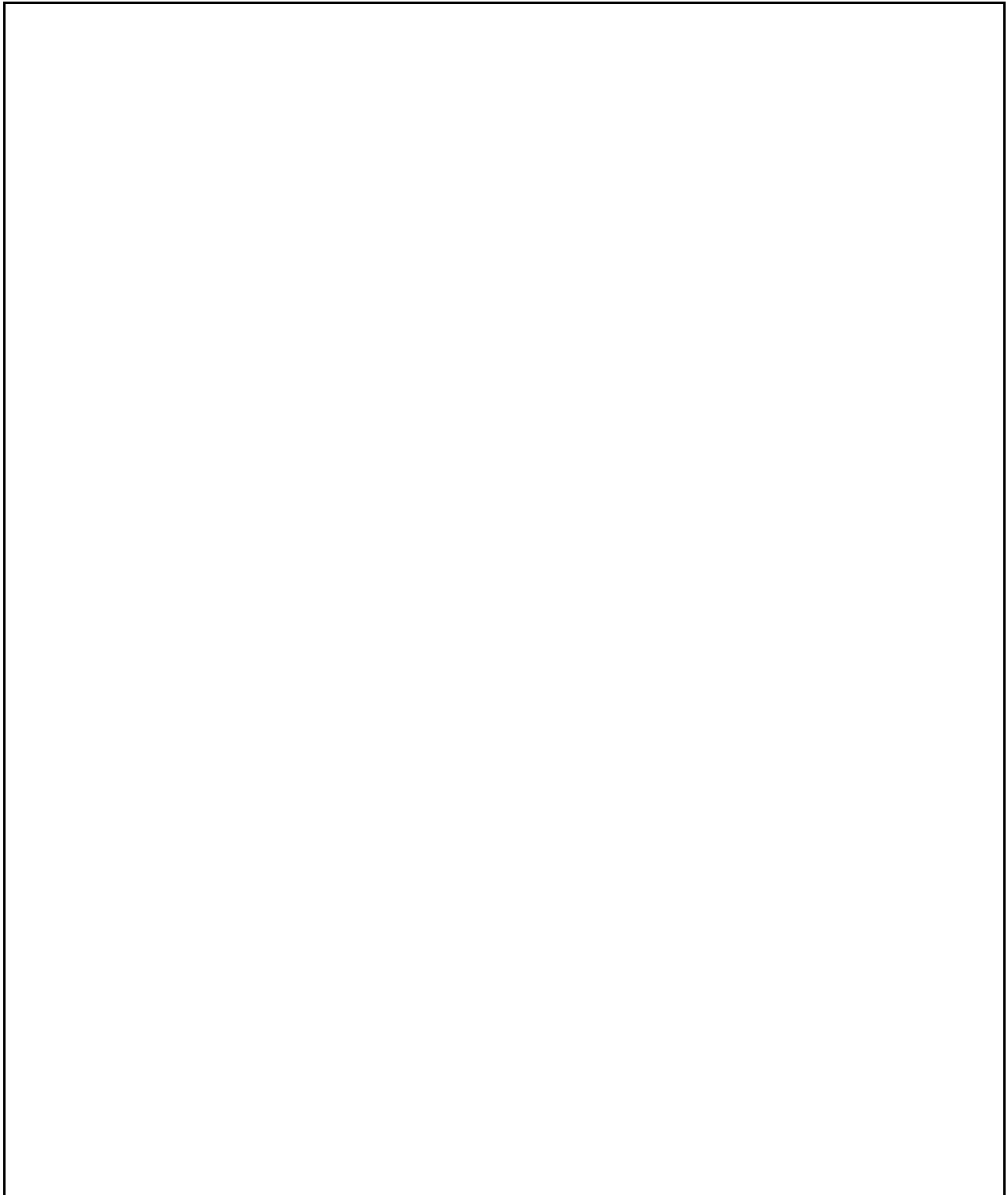


Figure 3-2. VXI-MXI with INTX Parts Locator Diagram

## The Metal Enclosure

The VXI-MXI is housed in a metal enclosure to improve EMC performance and to provide easy handling. Because the enclosure includes cut-outs to facilitate changes to switch and jumper settings, it should not be necessary to remove it under normal circumstances.

Should you find it necessary to open the enclosure, remove the three screws on the top, the three screws on the bottom, and the three screws on the right side panel of the enclosure.

## VXIbus Slot 0

The VXI-MXI is shipped from the factory configured to be installed in Slot 0 of the VXIbus mainframe. If another device is already in Slot 0, you must decide which device will be the Slot 0 device and reconfigure the other device for Non-Slot 0 use.

**Warning:** *Do not install a device configured for Slot 0 into another slot without first reconfiguring it for Non-Slot 0 use. Doing so could result in damage to the Non-Slot 0 device, the VXIbus backplane, or both.*

Figure 3-3 shows the default configuration settings for the VXI-MXI installed as the Slot 0 device. The position of slide switches S1 and S8 must match. For Slot 0 configuration, they must both be in the ON position. In addition to S1 and S8, jumper block W7 and jumper blocks W9 and W10 must be set for Slot 0 configuration. Refer to the *VMEbus Timeout Chain Position* section and the *CLK10 Source* section later in this chapter to examine the options for these jumper blocks.

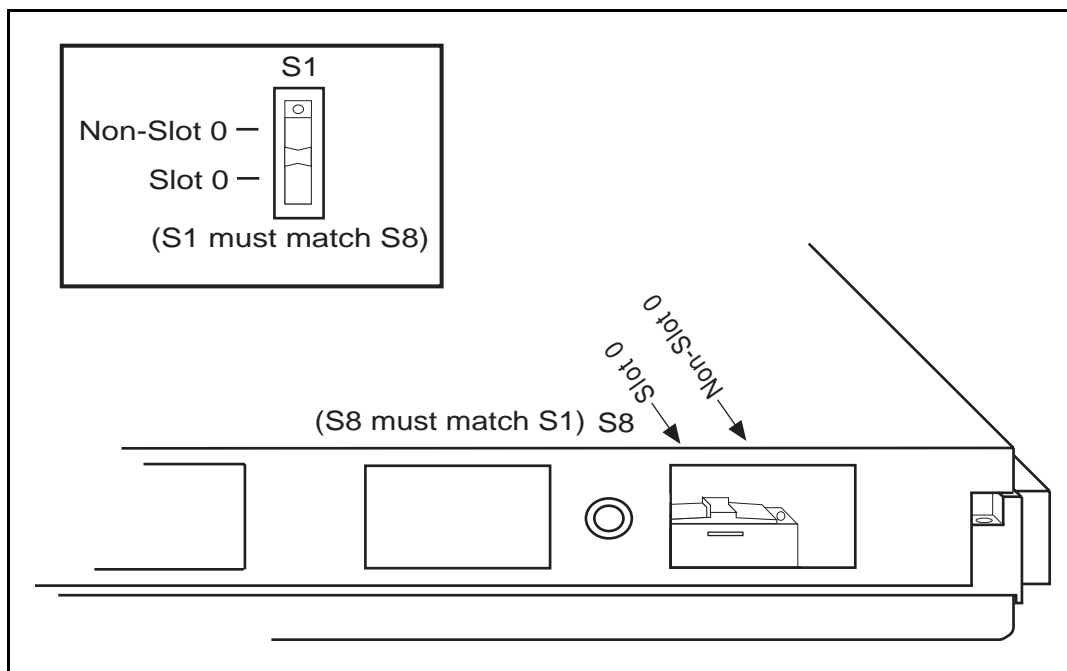


Figure 3-3. VXIbus Slot 0 Selection

When the VXI-MXI is installed in Slot 0, it becomes the VMEbus System Controller, meaning that it has VMEbus Data Transfer Bus Arbiter capability (PRI ARBITER) and that it drives the 16 MHz VMEbus system clock. The VMEbus Data Transfer Bus Arbiter circuitry accepts bus requests on all four VMEbus request levels, prioritizes the requests, and grants the bus to the highest priority requester. The VMEbus system clock is driven by an onboard 16 MHz oscillator with a 50%  $\pm$ 5% duty cycle.

The VXIbus specification defines several additional functions for devices installed in the Slot 0 position. A Slot 0 device must implement a 16-bit MODID register to control and monitor the VXIbus MODID lines. Slot 0 cards must also have 16.9 k pull-up resistors on each VXIbus MODID line. If the card is not in Slot 0, the MODID0 line on that card must be pulled down to ground with an 825 resistor.

The VXIbus Resource Manager (RM) identifies whether the VXI-MXI is configured as a Slot 0 device by reading the VXIbus Model Code in the Device Type Register. If the VXIbus Model Code for the VXI-MXI is hex 00FE, the module is configured as a Slot 0 device; if the code is hex 08FE, the module is configured as a Non-Slot 0 device.

To configure the VXI-MXI as a Non-Slot 0 device, change slide switches S1 and S8 to the OFF positions as depicted in Figure 3-4. Remember to also change the settings of jumper block W7 and jumper blocks W9 and W10 as described later in this chapter.

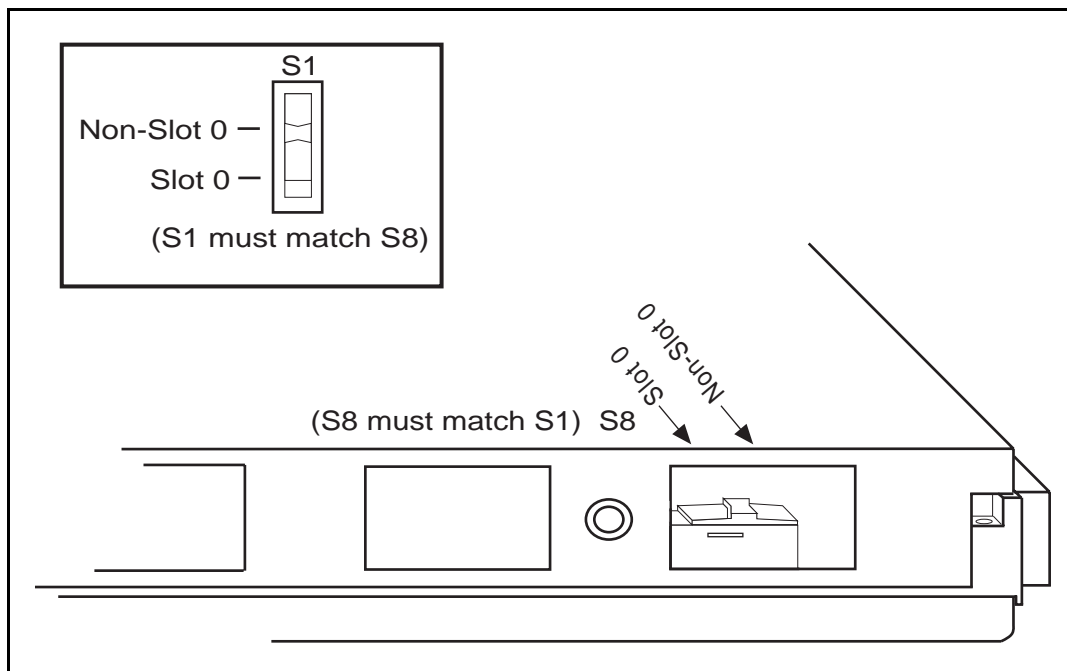


Figure 3-4. VXIbus Non-Slot 0 Selection



## VXIbus Logical Address

Each device in a VXIbus/MXIbus system is assigned a unique number between 0 and 254. This 8-bit number, called the *logical address*, defines the base address for the configuration registers located on the device. With unique logical addresses, each VXIbus device in the system is assigned 64 bytes of configuration space in the upper 16 KB of A16 space.

Some VXIbus devices have dynamically configurable logical addresses. These devices have an initial logical address of hex FF, which indicates that they can be dynamically configured. While the VXI-MXI does support dynamic configuration of VXIbus devices within its mainframe, it cannot itself be dynamically configured. Therefore, do not set the logical address for the VXI-MXI to hex FF.

The VXIbus RM has Logical Address 0 by definition. The VXI-MXI does not have VXIbus RM capability, so do not set the logical address for the VXI-MXI to 0. If you are configuring a multiple-mainframe VXIbus/MXIbus system, refer to Chapter 5, *Programming Considerations*, for instructions on planning a VXIbus/MXIbus system logical address map. If you are connecting only a PC with a MXIbus interface to the VXI-MXI, you should leave the logical address at the default setting of 1. Using this setting, you can install devices with all other possible logical addresses in the VXIbus mainframe.

An 8-bit DIP switch selects the logical address for the VXI-MXI. As shown in Figure 3-1, this switch is labeled *LOGICAL ADDRESS SWITCH* on the front panel. The ON position on the DIP switch corresponds to a logic value of 0, and the OFF position corresponds to a logic value of 1. This switch is set at the factory to a default logical address of 1. Verify that the logical address assigned to the VXI-MXI is not used by any other statically configured VXIbus device in your system. Remember that logical addresses hex 0 and FF are not allowed for the VXI-MXI.

Figure 3-5 shows switch settings for logical address hex 1 and C0.

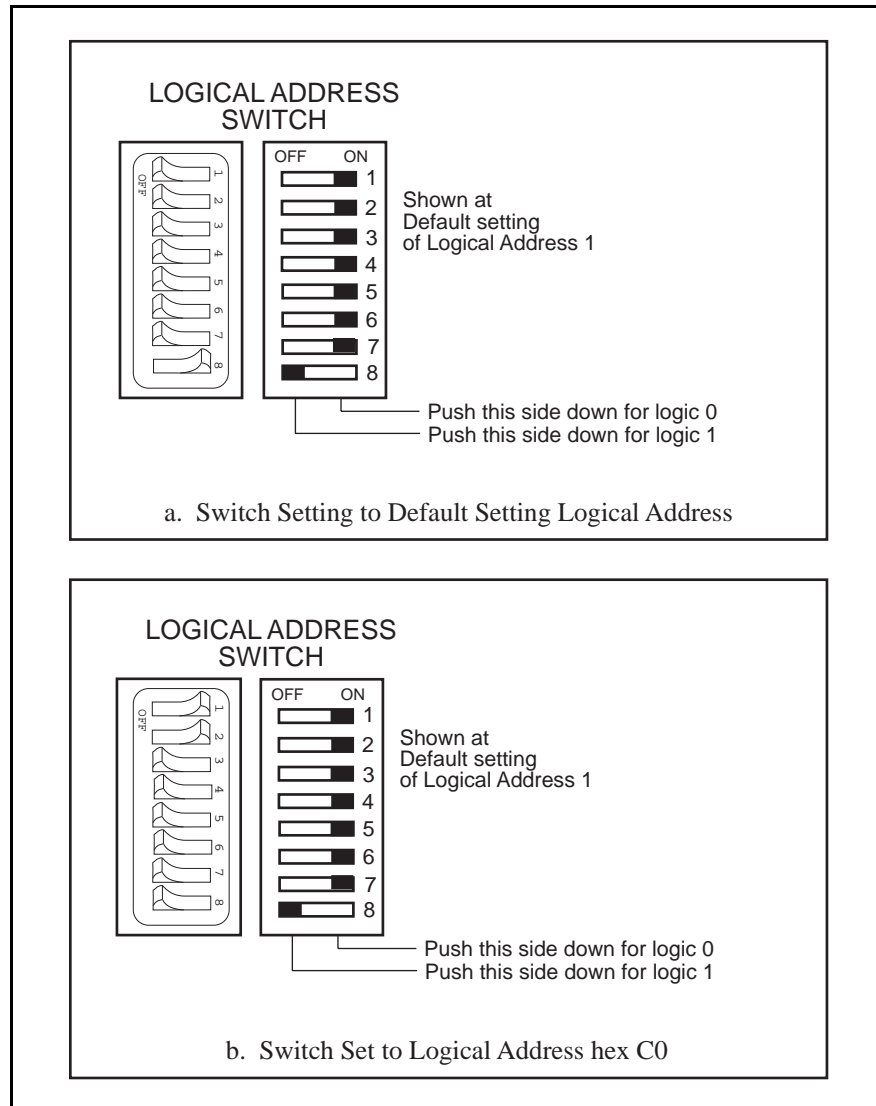


Figure 3-5. Logical Address Selection

## VMEbus Request Level

The VXI-MXI uses one of the four VMEbus request levels to request use of the VMEbus Data Transfer Bus (DTB). The VXI-MXI requests use of the DTB whenever an external MXIbus device attempts a transfer that maps into the VXIbus mainframe.

The VXI-MXI is shipped from the factory configured to use VMEbus request level 3, as required in the VXIbus specification. Request level 3 is the highest priority request level and request level 0 is the lowest. You can change the VXI-MXI to use any of the other three request levels by changing the jumper configuration on the jumper blocks labeled *VMEbus Request Level* on the front panel. You may want to change request levels to change the priority of the VXI-MXI request signal. For more information, refer to the VMEbus specification.

To change the VMEbus request level of the VXI-MXI, rearrange the jumpers on the pin arrays as shown in Figure 3-6.

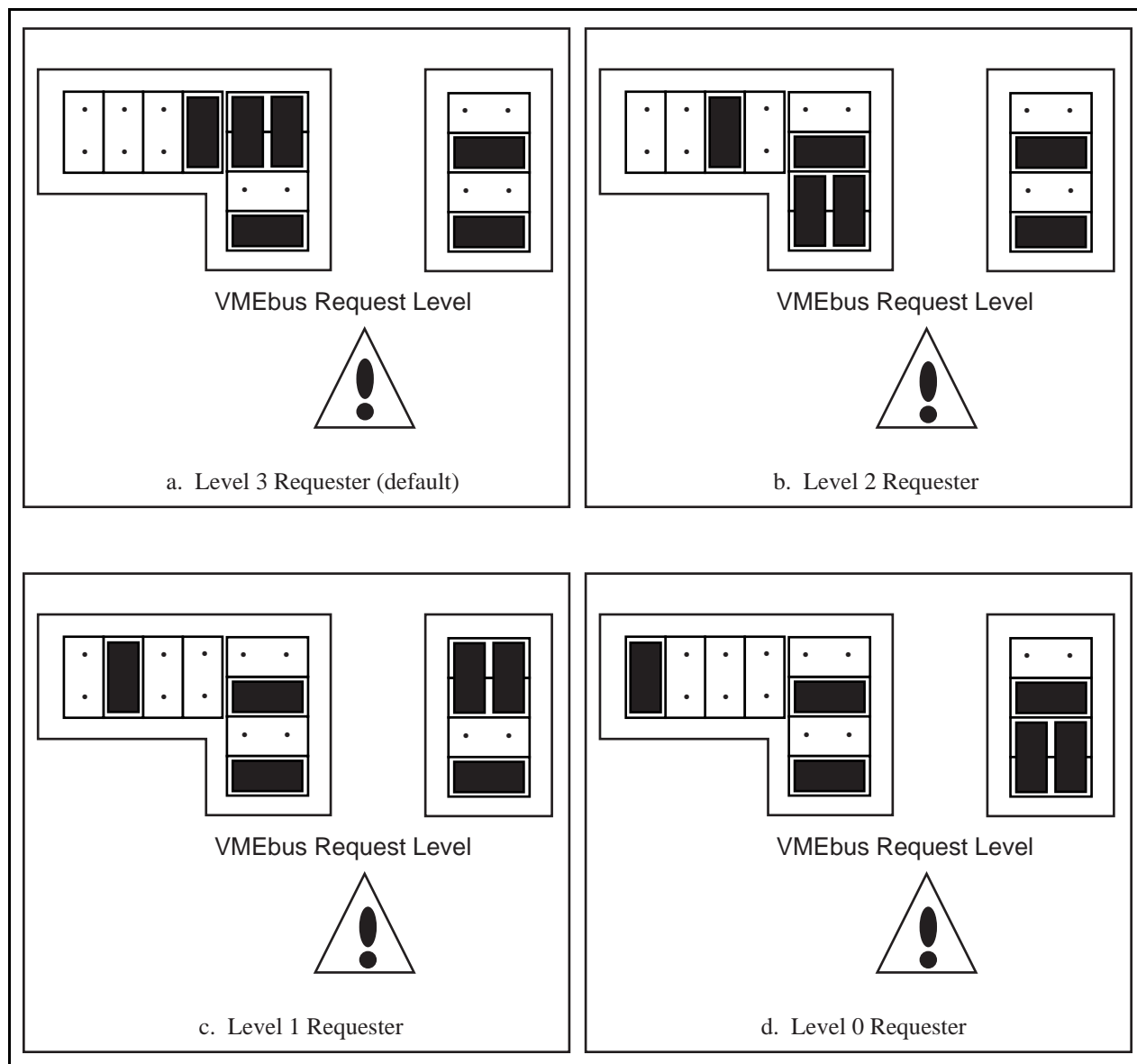


Figure 3-6. VMEbus Requester Jumper Settings

### VMEbus Timeout Value

When a VXI-MXI is installed in a VXIbus mainframe, the VME Bus Timeout Unit (BTO) circuitry for the VXIbus mainframe must be on the VXI-MXI. If there are multiple VXI-MXI interfaces in a mainframe, the BTO must be enabled on one of them and they must be in adjacent slots. In the case of multiple VXI-MXIs, it is recommended that the BTO be enabled on the VXI-MXI that is installed in Slot 0. The BTO monitors the current bus cycle and asserts the bus error (BERR) signal if a data transfer acknowledge (DTACK) or BERR is not received from the selected slave within the given amount of time after data strobe (DS1 or DS0) becomes active. Whenever a MXIbus transfer into or out of the VXI-MXI occurs, the VMEbus timeout on the VXI-MXI is disabled and the MXIbus System Controller BTO monitors the transfer. This

configuration allows VXIbus transfers to have short bus timeout values and MXIbus transfers to have much longer timeout values.

You can either disable the VMEbus timeout value or set it to 100, 200, or 400  $\mu\text{s}$  by moving the *VME BTO Level* jumper, as shown in Figure 3-7. The VMEbus timeout is disabled when a VMEbus cycle maps out of the mainframe, initiating a MXIbus cycle. The configuration of the *VME BTO Chain Position* jumper block selects how the VXIbus local bus is used to disable the VMEbus timeout when outward MXIbus transfers occur. If another device has a BTO module, remember to enable the BTO on the VXI-MXI and to disable the VMEbus BTO on the other device.

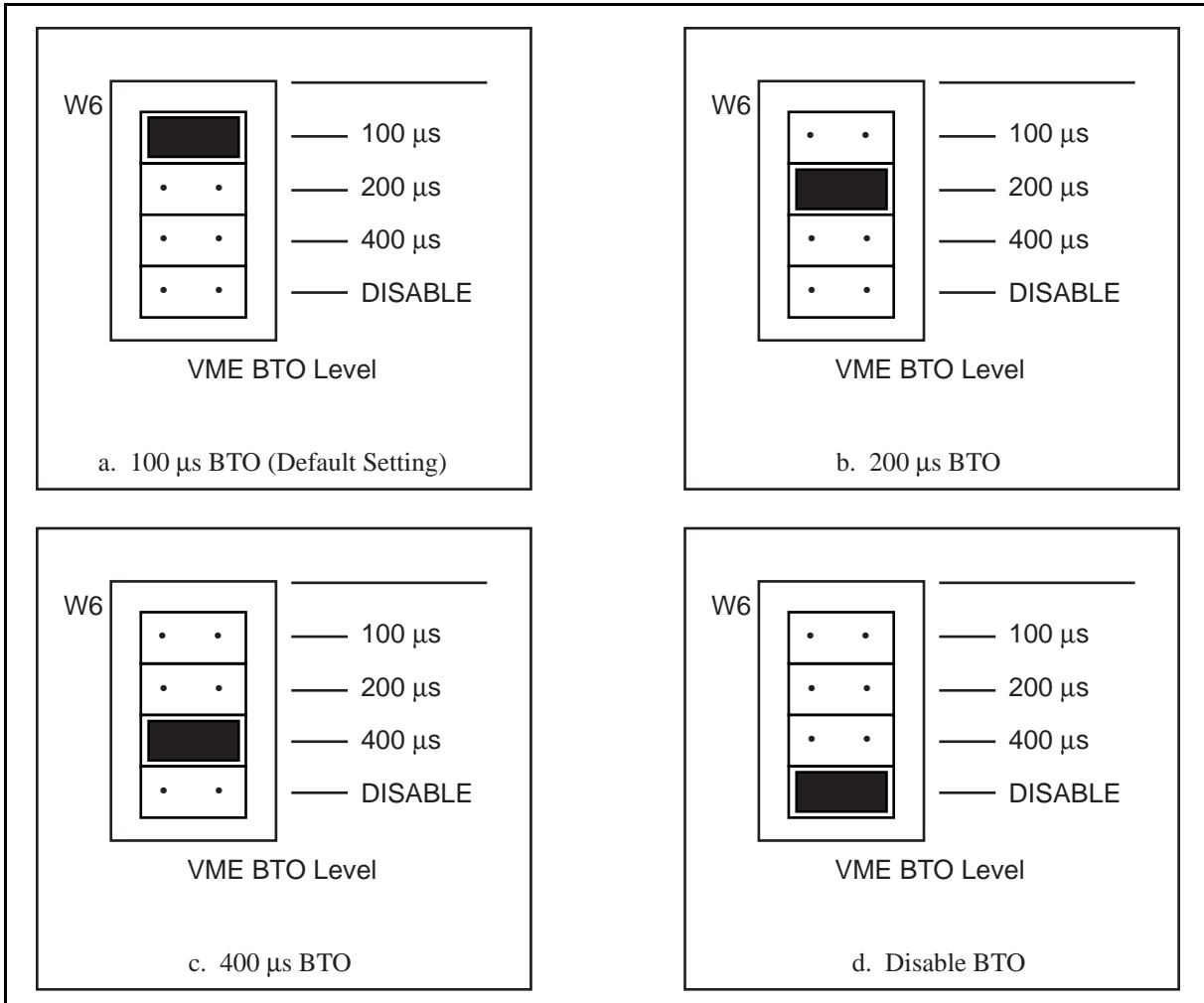


Figure 3-7. VMEbus Timeout Value Selection

### VMEbus Timeout Chain Position

The *VME BTO Chain Position* jumper block indicates the location of the VXI-MXI interface in relation to other VXI-MXIs installed in the mainframe. If only one VXI-MXI is in the system, set the jumper block to one of the configurations shown in Figure 3-8.

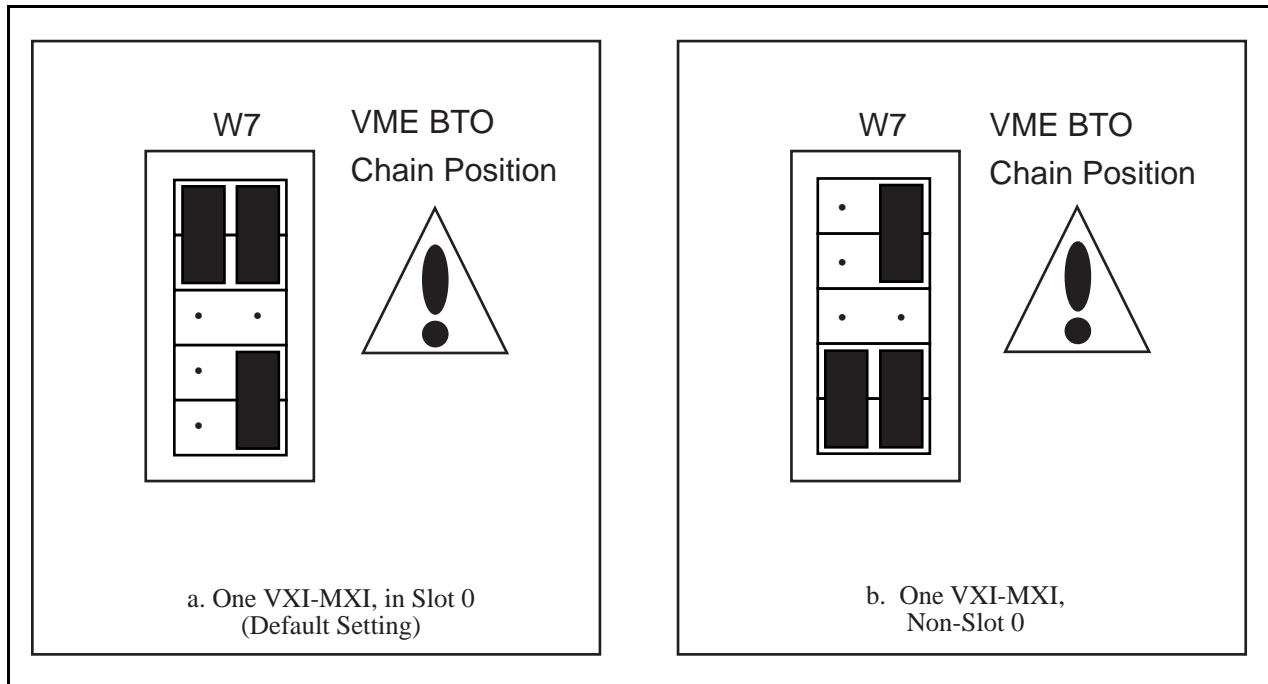


Figure 3-8. VMEbus Timeout; One VXI-MXI in Mainframe

When you have multiple VXI-MXI modules installed in adjacent slots, the VXIbus local bus is used to send a signal to the VXI-MXI with the VMEbus BTO to indicate that an outward MXIbus transfer is in progress. The following figures show how to configure the *VME BTO Chain Position* jumper block to select how the VXIbus local bus is used to disable the VMEbus timeout during outward MXIbus transfers.

If the system contains more than one VXI-MXI, select which card will supply the VMEbus timeout, and set the jumper block according to the VXI-MXI's position in relation to the adjacent VXI-MXIs. Figure 3-9 shows four possible settings.

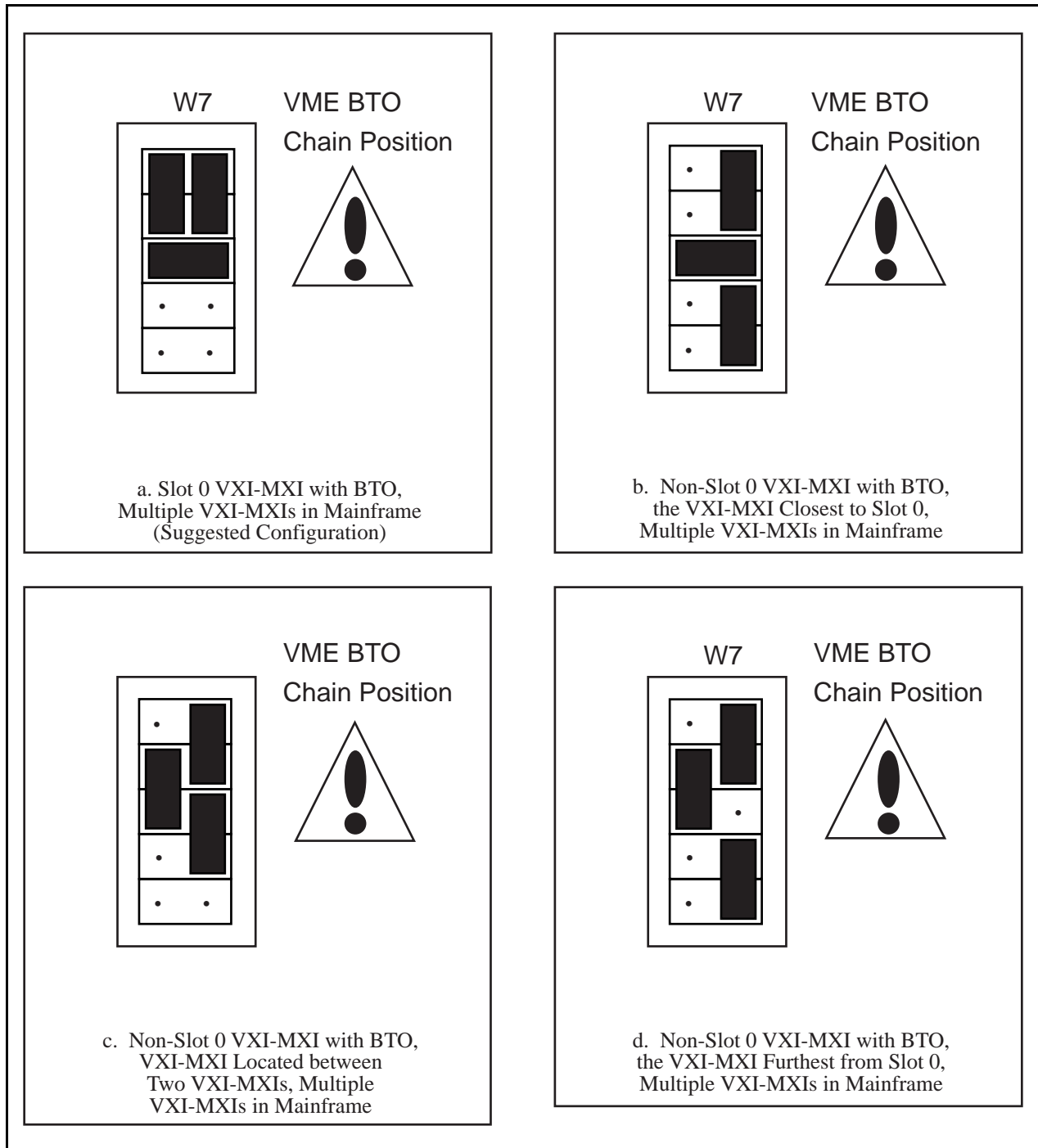


Figure 3-9. VMEbus Timeout; Multiple VXI-MXIs in Mainframe

For the VXI-MXIs that do not supply the VMEbus timeout, set the *VME BTO Chain Position* jumper block to reflect each VXI-MXI's position in relation to the adjacent VXI-MXIs. See Figure 3-10.

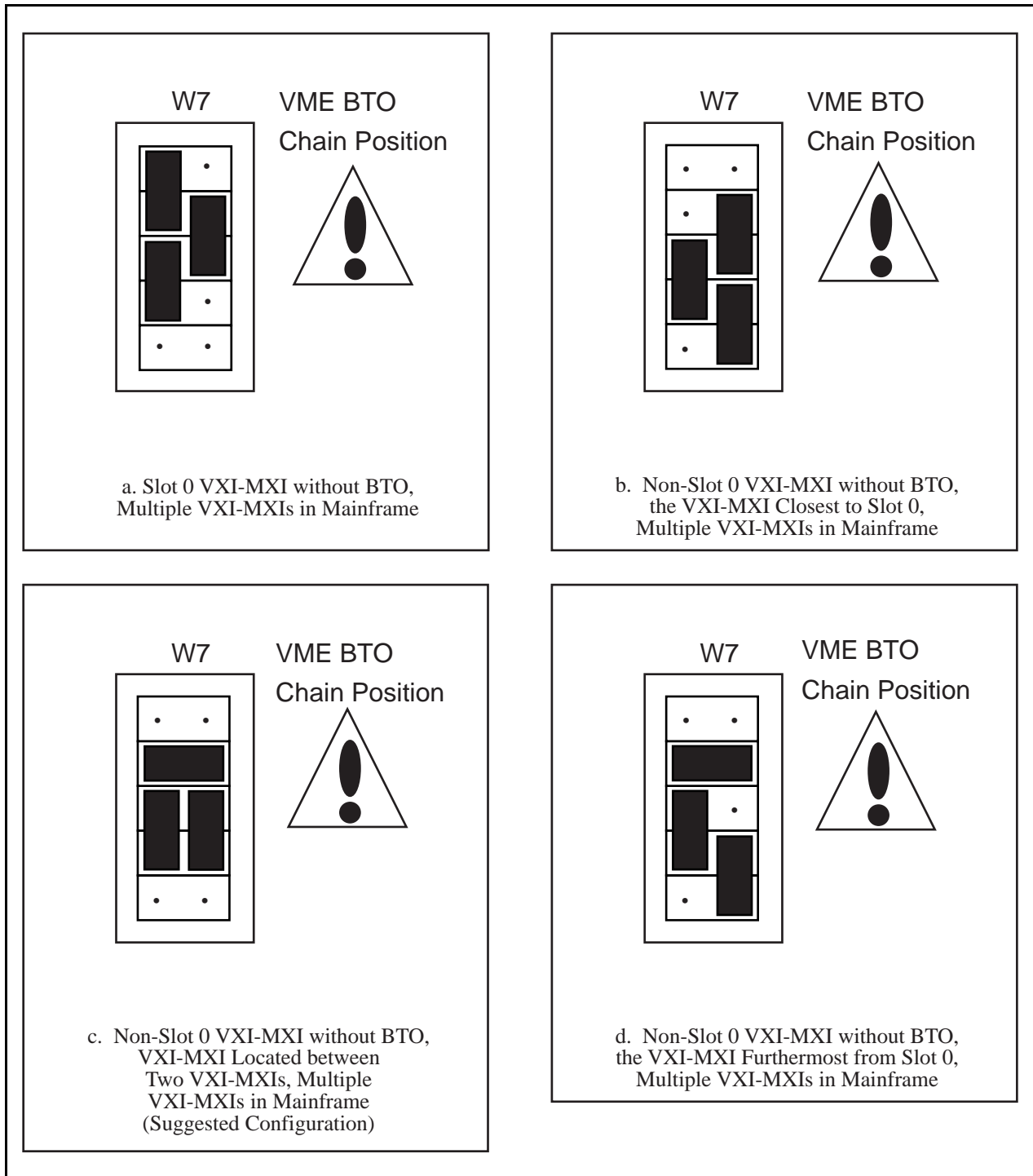


Figure 3-10. No VMEbus Timeout; Multiple VXI-MXIs in Mainframe

## Interlocked Arbitration Mode

Interlocked arbitration mode is an optional mode of operation in which the system performs as one large VXIbus mainframe with only one master of the entire system (VXIbus and MXIbus) at any given moment. This mode of operation prevents deadlocks by interlocking all arbitration in the VXIbus/MXIbus system. Refer to Chapter 6 for a thorough discussion of interlocked arbitration mode.

In the normal operating mode, there can be multiple masters operating simultaneously in the VXIbus/MXIbus system. A deadlock occurs when a MXIbus master requests use of a VXIbus resource in another VXIbus mainframe while a VXIbus master in that mainframe is in the process of requesting a resource across the MXIbus. When this situation occurs, the VXIbus master must give up its bus ownership to resolve the conflict. The BERR signal is used to terminate the transfer on the VMEbus; however, devices in the VXIbus mainframe must be able to detect a BERR caused by a deadlock condition so that they can retry the operation.

The VXI-MXI is shipped from the factory configured for normal operating mode. If MXIbus transfers will be occurring both into and out of the mainframe and the VXIbus modules in your system do not have the capability for handling BERR exceptions caused by deadlock conditions, you may want to configure the VXI-MXI for interlocked arbitration mode. In this mode, no changes will need to be made to software. However, parallel processing in separate VXIbus mainframes is no longer possible, and system performance may be lower than in normal operating mode.

VMEbus requesters are awarded the bus when they receive an active signal on the daisy-chained bus grant line. Requesters closest to the Slot 0 device have higher priority, therefore, than devices installed in slots farther from Slot 0. In addition, four bus request levels further prioritize modules. For proper operation in interlocked arbitration mode, all VXI-MXIs should be configured to request at bus request level 3, the factory default setting. In addition, only one mainframe can have a requester at a higher priority than the VXI-MXIs in that mainframe. This requester may be a Slot 0 device other than a VXI-MXI, such as a multiframe Resource Manager. In all the other mainframes, the VXI-MXIs must be the highest priority requesters. This means that a VXI-MXI should be installed in Slot 0 of its respective mainframe. In the case of multiple VXI-MXIs in a single mainframe, the additional VXI-MXIs should be installed in the slots adjacent to the Slot 0 VXI-MXI.

**Note:** *Interlocked arbitration mode has a potential for long access times. Therefore, you should configure bus timeouts for adequate times.*

In a VXIbus/MXIbus system, you can configure some VXI-MXIs for normal operating mode and others for interlocked arbitration mode. The VXIbus mainframes configured in interlocked arbitration mode will be interlocked with each other and the mainframes configured for normal operating mode can perform transfers in parallel. This type of system configuration is recommended if you have one of the following situations:

- A VXIbus mainframe with only slave devices and no masters. Without bus masters, there is no chance for deadlock. The VXI-MXIs in this mainframe can be configured for normal operating mode.
- A VXIbus mainframe with both masters and slaves, but the masters communicate only with the slaves in their mainframe. The masters never attempt transfers across the MXIbus so there is no chance for deadlock when a MXIbus master attempts a transfer into the VXI mainframe. The VXI-MXIs in this mainframe can be configured for normal operating mode.



Select interlocked arbitration mode by changing the default setting of the slide switch from *Normal* to *Interlocked Bus Cycles* as shown in Figure 3-11.

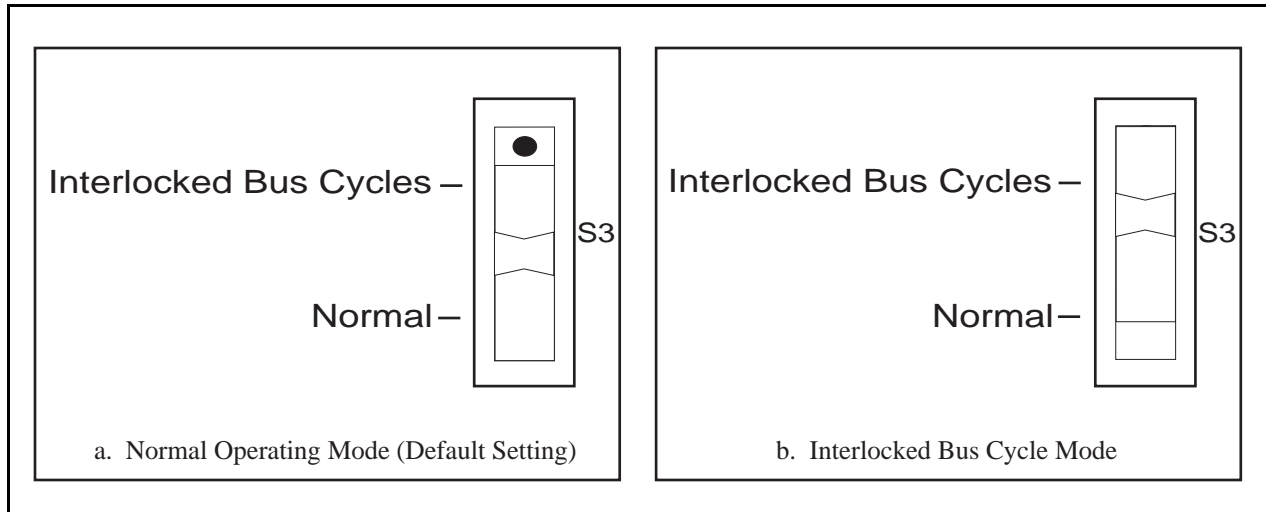


Figure 3-11. Interlocked Arbitration Mode Selection

## MXIbus System Controller

The *MXIbus System Controller* slide switch selects whether or not the VXI-MXI interface module is the MXIbus System Controller. The MXIbus System Controller is the first device in the MXIbus daisy-chain. The System Controller supplies the arbitration circuitry for MXIbus arbitration, the MXIbus interrupt acknowledge daisy-chain driver, and the MXIbus bus timeout unit. The VXI-MXI is shipped from the factory configured for non-MXIbus System Controller operation. If the VXI-MXI is the first device in the MXIbus link, configure the VXI-MXI as the MXIbus System Controller by changing the default setting of the slide switch from *Disabled* to *Enabled*, as shown in Figure 3-12.

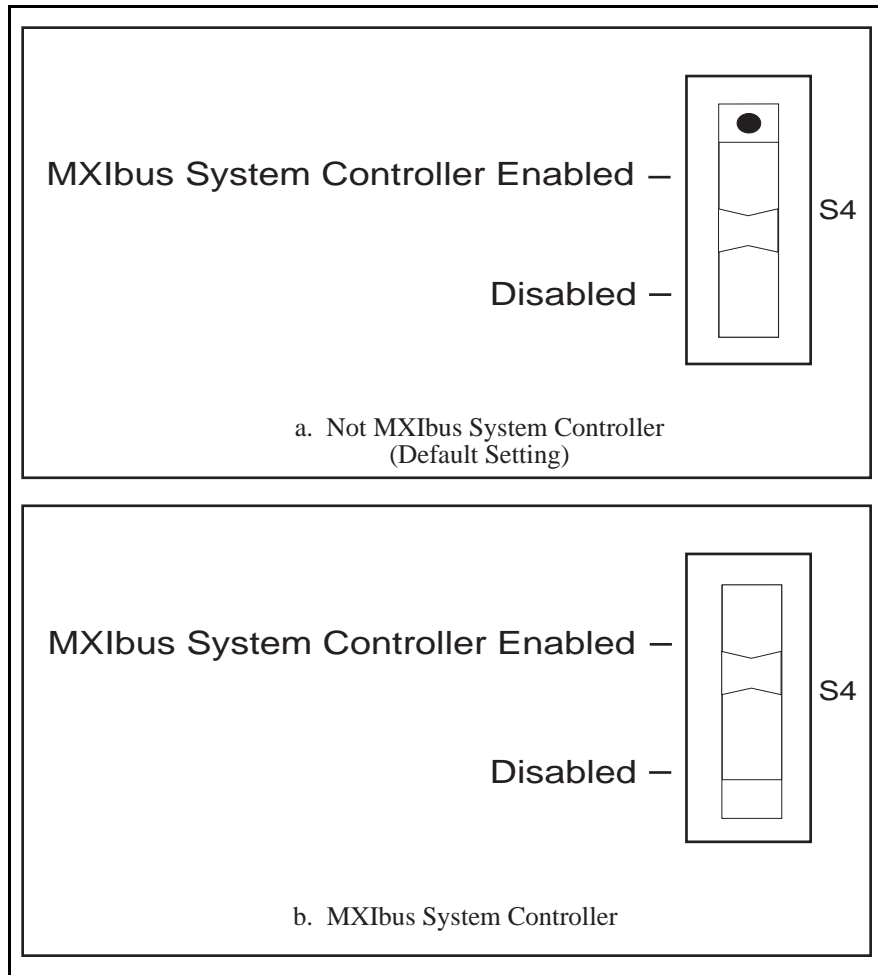


Figure 3-12. MXIbus System Controller Selection

## MXIbus System Controller Timeout

The MXIbus System Controller is also responsible for the MXIbus system timeout. The timeout period begins when a MXIbus data strobe (DS) is received. The period stops when a MXIbus DTACK or BERR is detected. If a timeout occurs, the MXIbus System Controller sends a MXIbus BERR to clear the MXIbus system. On power up, this timeout is between 100  $\mu$ s and 400  $\mu$ s as configured by the *MXI Controller BTO Level* jumper array (refer to Figure 3-1 for its location). You can extend the timeout to a value between 100 ms and 400 ms by setting the LNGMXSCTO bit in the MXIbus Control Register. It is best to have a long MXIbus System Controller timeout in MXIbus systems with many devices or in situations where one or more MXIbus devices use a large amount of MXIbus bandwidth.

Figure 3-13 shows how to position the jumper array to set the MXIbus System Controller timeout value. When the VXI-MXI is not configured to be the MXIbus System Controller, the setting of this jumper array has no effect. Notice that when the LNGMXSCTO bit in the MXIbus Control Register is zero, the selected timeout value is in microseconds. When the LNGMXSCTO bit is one, the selected timeout value is in milliseconds.

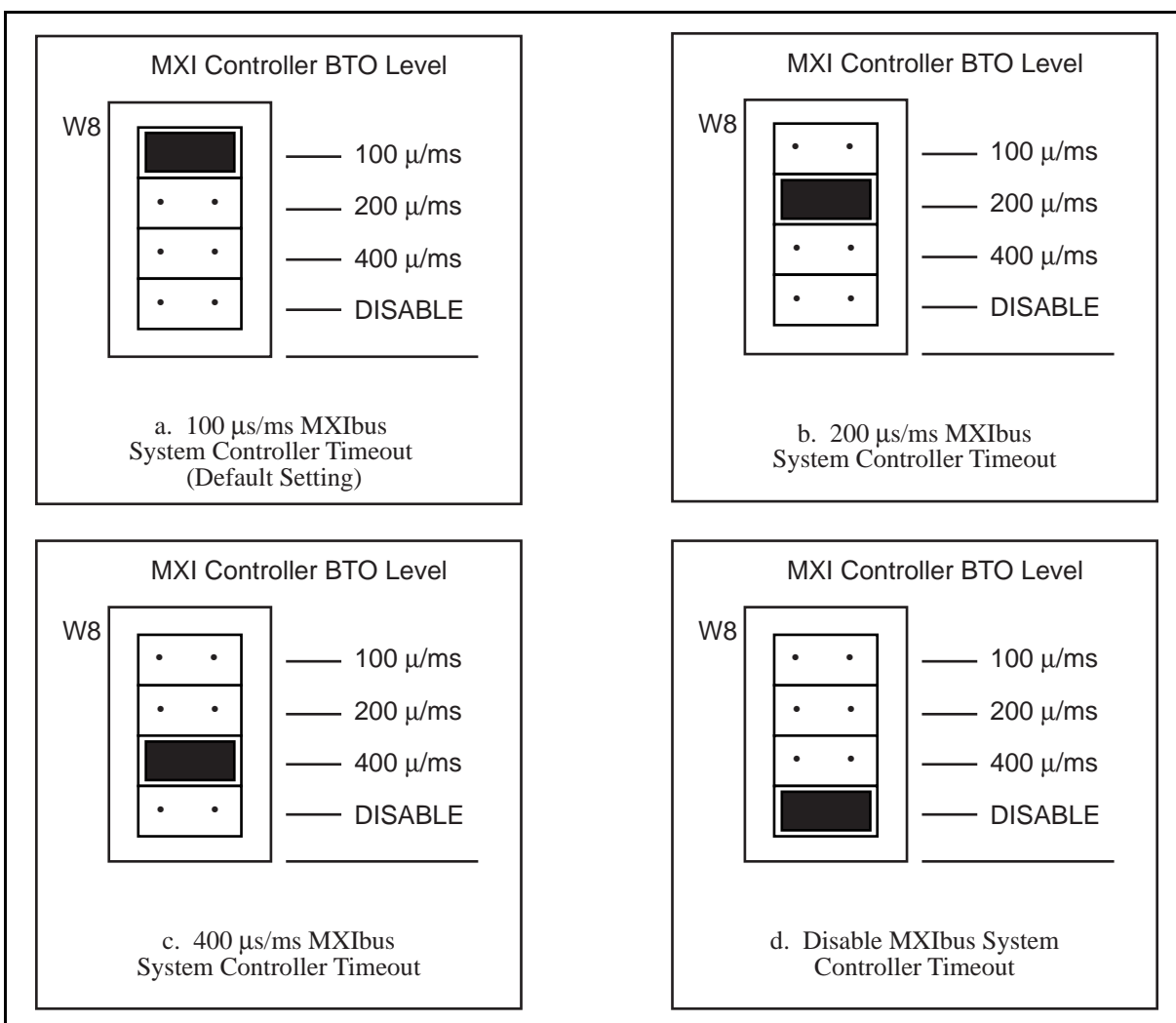


Figure 3-13. MXIbus System Controller Timeout Value Selection

## MXIbus Fairness Option

The MXIbus fairness feature ensures that all requesting devices will be granted use of the MXIbus. This feature prevents a high priority MXIbus device from consuming all of the MXIbus bandwidth. If MXIbus fairness is enabled, a MXIbus master will not request the bus until it detects that no other devices are requesting the bus. MXIbus fairness ensures that all MXIbus masters have an equal opportunity to use the MXIbus.

The VXI-MXI factory default setting has the MXIbus fairness feature disabled. Keep this option disabled if a device in your mainframe needs a large portion of the MXIbus bandwidth without interruptions from lower priority requesters. In an unfair system, the order in which you connect the MXIbus devices in the daisy-chain determines the priority of each device's MXIbus request. MXIbus requesters closer to the MXIbus System Controller have higher priority than those further down the MXIbus chain. The MXIbus fairness feature is controlled by the *Fairness* slide switch. If you want your VXI-MXI to be a fair requester, change the slide switch from the *Disabled* setting to *Enabled*, as shown in Figure 3-14.

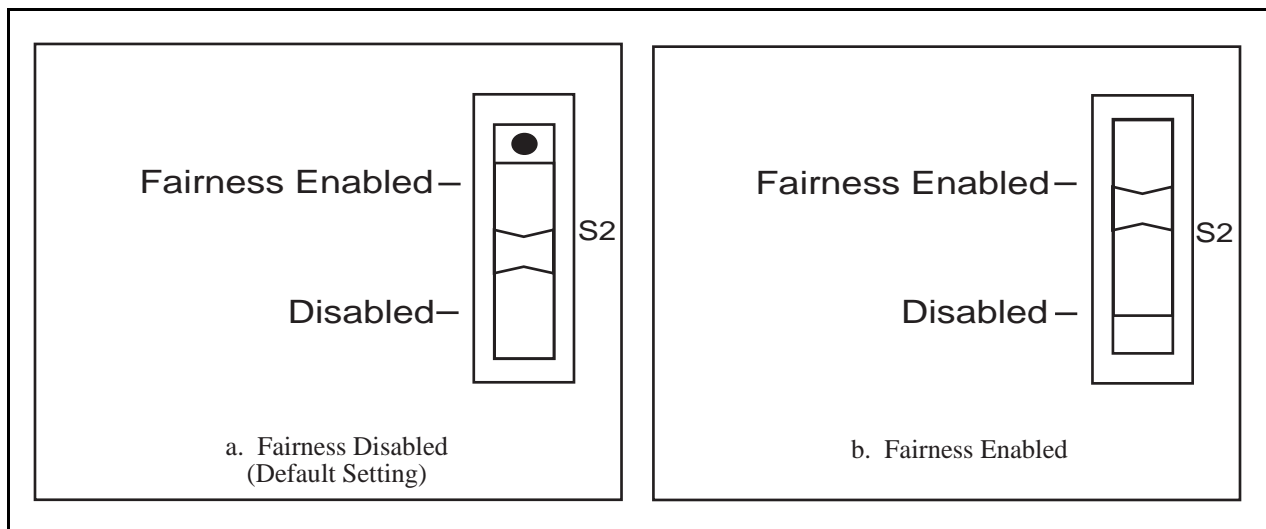


Figure 3-14. MXIbus Fair Requester Selection

## CLK10 Source

The VXIbus specification requires that Slot 0 devices supply a clock signal, CLK10, on a differential ECL output. The VXI-MXI can generate the CLK10 signal from an onboard oscillator (10 MHz with a 50%  $\pm$ 5% duty cycle), route an external clock signal from the front panel SMB connector labeled *EXT CLK* to the CLK10 signal, or receive the CLK10 signal. Use the CLK10 Source Select jumper array to select one of these options, as shown in Figure 3-15.

The VXI-MXI is configured at the factory to be a Slot 0 device driving the CLK10 signal from the onboard oscillator. If you are installing the VXI-MXI in a slot other than Slot 0, change the jumper array so that the VXI-MXI is configured to receive the CLK10 signal.

If your VXI-MXI includes the INTX daughter card option, the VXI-MXI has the ability to route the CLK10 signal from the INTX connector. If you intend to do this, remove the jumper completely and store it in a safe place in case you need to change your system configuration at a later date.

**Warning:**     *Configuring more than one VXIbus device to drive the CLK10 lines can damage the VXIbus backplane, the CLK10 drivers on the VXIbus devices, or both.*

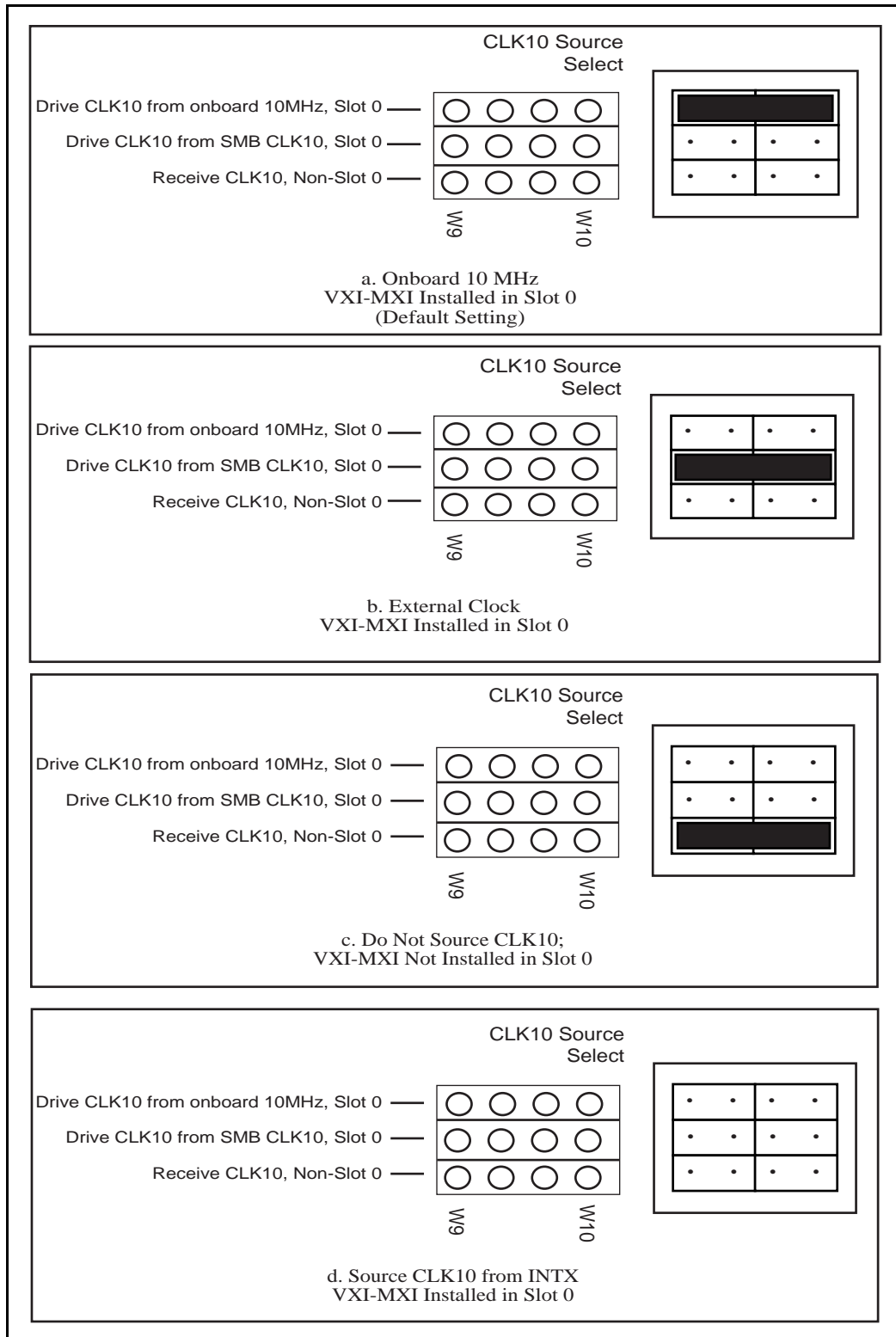


Figure 3-15. CLK10 Source Signal Options

### EXT CLK SMB Input/Output

If you want to have synchronized CLK10 signals in multiple VXIbus mainframes, you can connect the CLK10 signals of the two mainframes together using the *EXT CLK SMB* connectors on the front panel of the VXI-MXI. One mainframe should source the CLK10 signal to the SMB connection. The other device receives the CLK10 signal from the SMB connection and drives it on the VXIbus CLK10 lines. This device must be installed in Slot 0 so that it can drive the VXIbus CLK10 signal. For this option, set the CLK10 Source Select jumpers to select an external clock as shown in Figure 3-15(b).

Slide switch S6 sets whether the EXT CLK SMB is used as an input to receive a CLK10 signal to drive on the VXIbus, or as an output to source the CLK10 signal to another VXIbus mainframe. Figure 3-16 shows the two settings of slide switch S6.

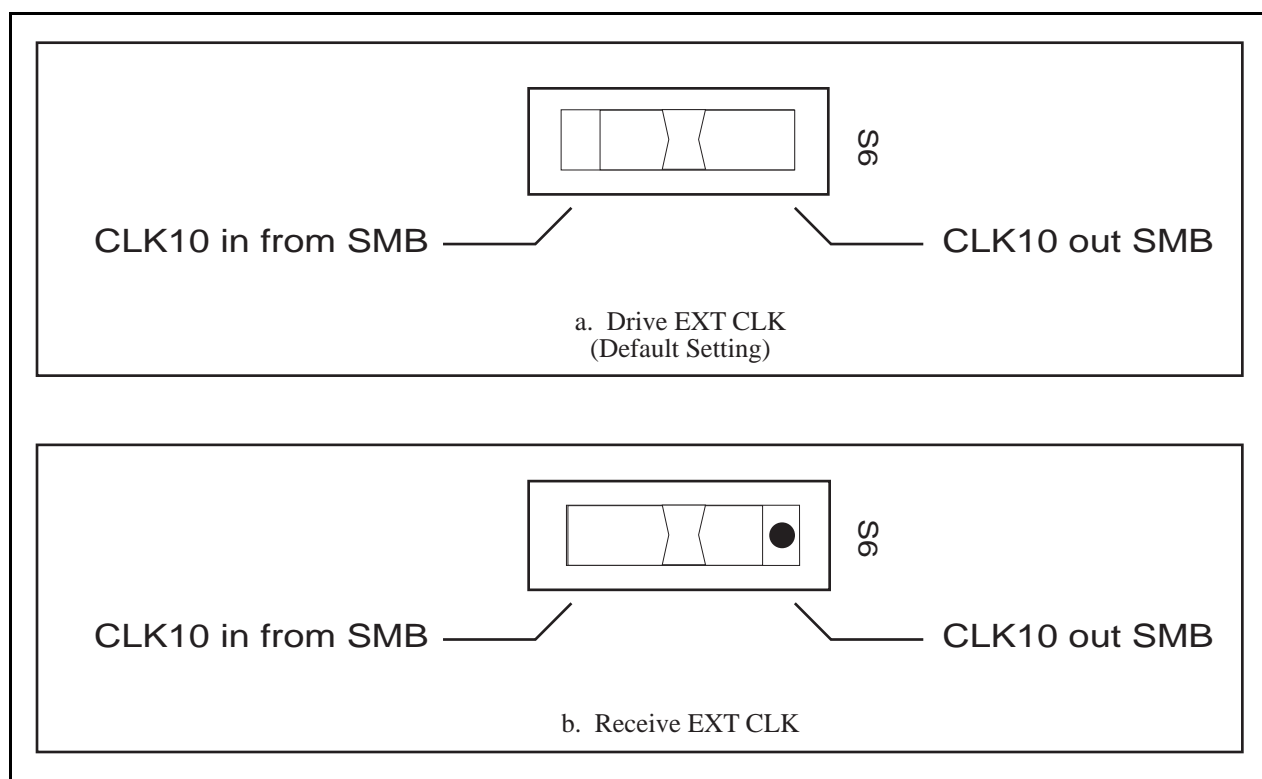


Figure 3-16. EXT CLK SMB Input/Output Setting

### INTX CLK10 Mapping

If your VXI-MXI includes the INTX daughter card option, you can use the *INTX CLK10 Routing* switches to route the CLK10 signal to or from the INTX connector. The INTX daughter card is shipped from the factory with the CLK10 mapping function disabled. Refer to Figure 3-2 to view the location of the three slide switches used to configure the INTX CLK10 mapping. Figure 3-17 shows how to set these switches to (a) disable CLK10 mapping, (b) enable CLK10 to map out of the mainframe through the INTX connector, or (c) enable CLK10 into the mainframe from the INTX connector.

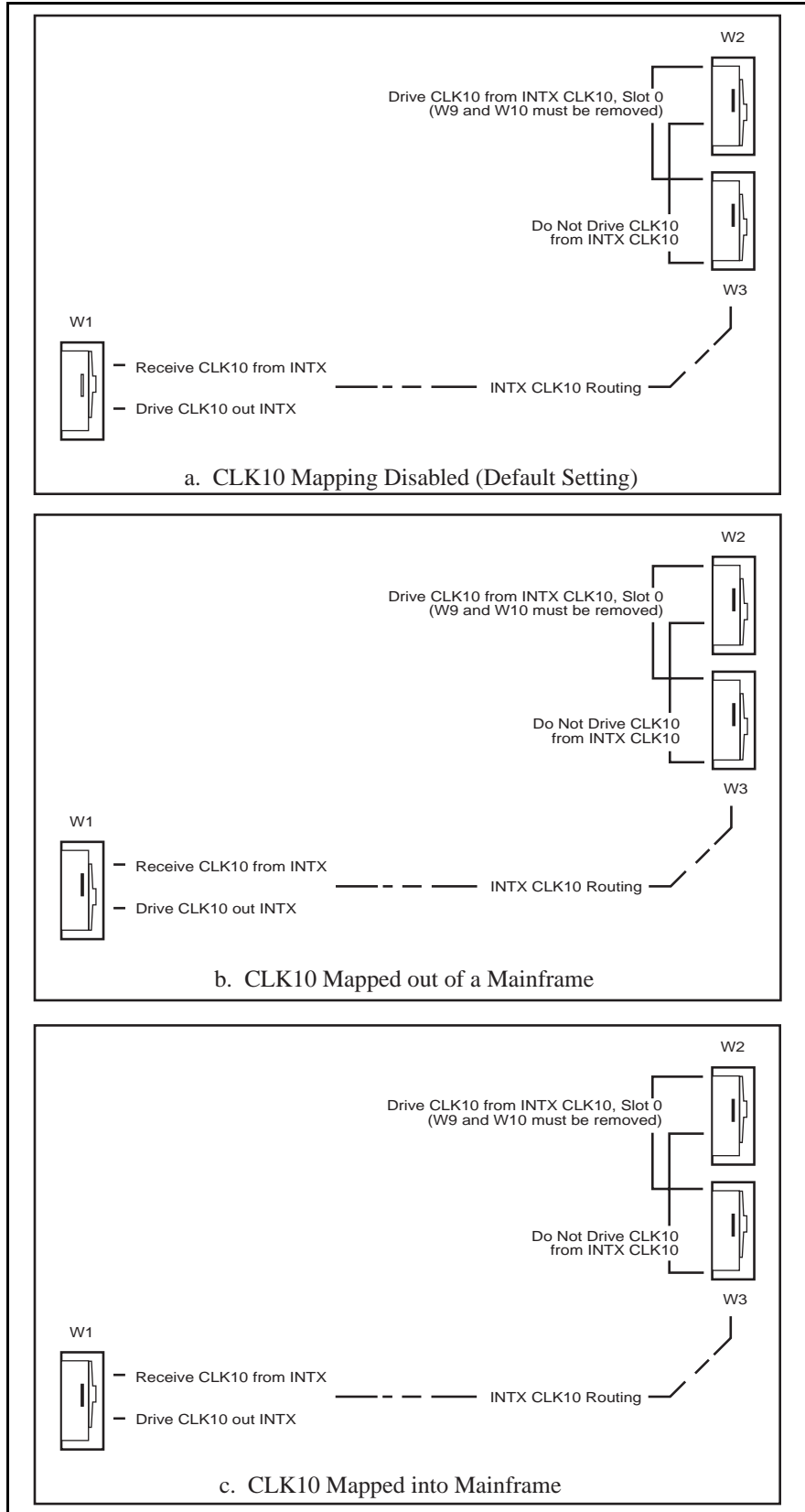


Figure 3-17. INTX CLK10 Mapping Switches



The VXI-MXI must be installed in Slot 0 if you want to route the INTX CLK10 signal to the VXIbus CLK10 signal. The *CLK10 Source Select* jumpers on the VXI-MXI must be set to configure the VXI-MXI to receive the CLK10 because the INTX daughter card will now be sourcing the clock signal. You can configure the VXI-MXI to be installed in any slot when the *INTX CLK10 Routing* switches are enabled to map the VXIbus CLK10 signal to the INTX connector.

**Warning:** *Configuring more than one VXIbus device to drive the CLK10 lines or configuring both the VXI-MXI and the INTX daughter card to drive CLK10 can damage the VXIbus backplane, the CLK10 drivers on the VXIbus devices, or both.*

### Trigger Input Termination

The Trigger Input SMB connector can be terminated to 50 ohms by changing the position of slide switch S5. See Figure 3-18.

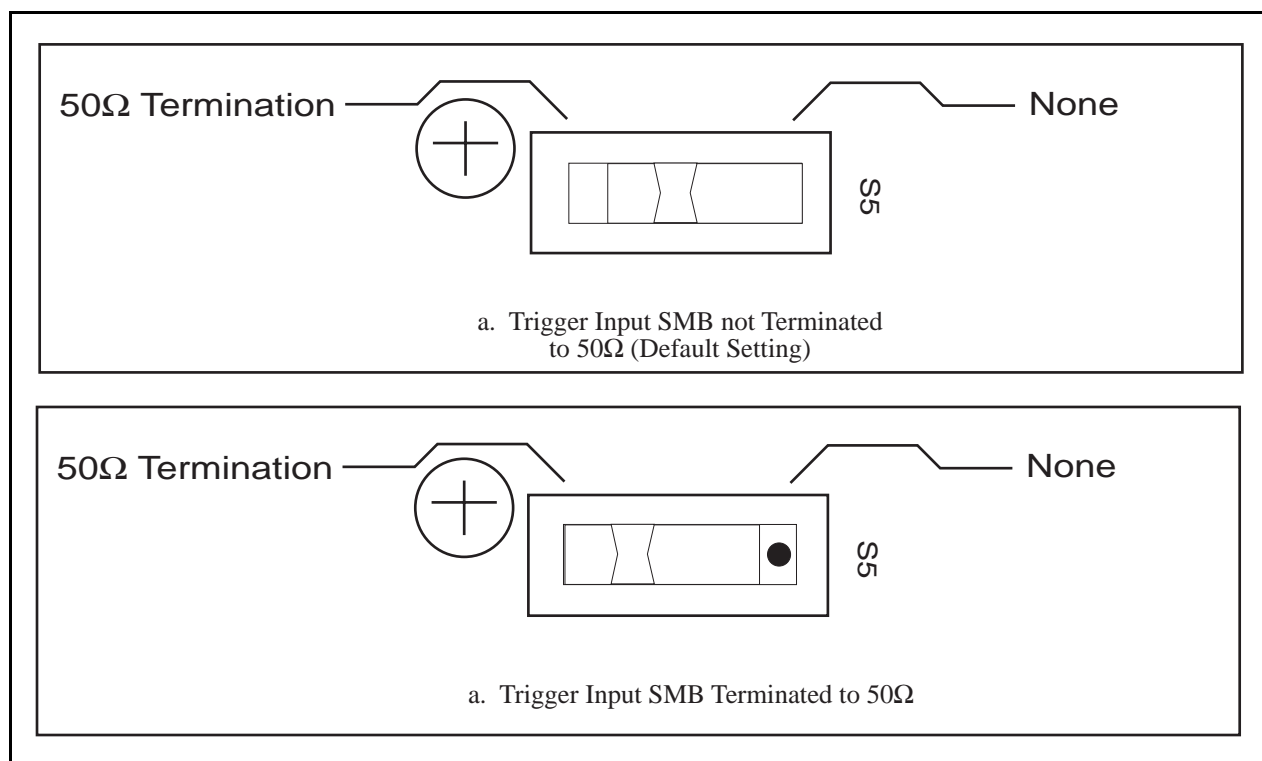


Figure 3-18. Trigger Input Termination Option Settings

## Reset Signal Select

The VXI-MXI generates a 200 ms active low pulse both on power-up and when you press the pushbutton system reset switch on the front panel. Using the Reset Signal Select slide switch, you can route the pulse to either VMEbus signal ACFAIL\* or SYSRESET\*. See Figure 3-19.

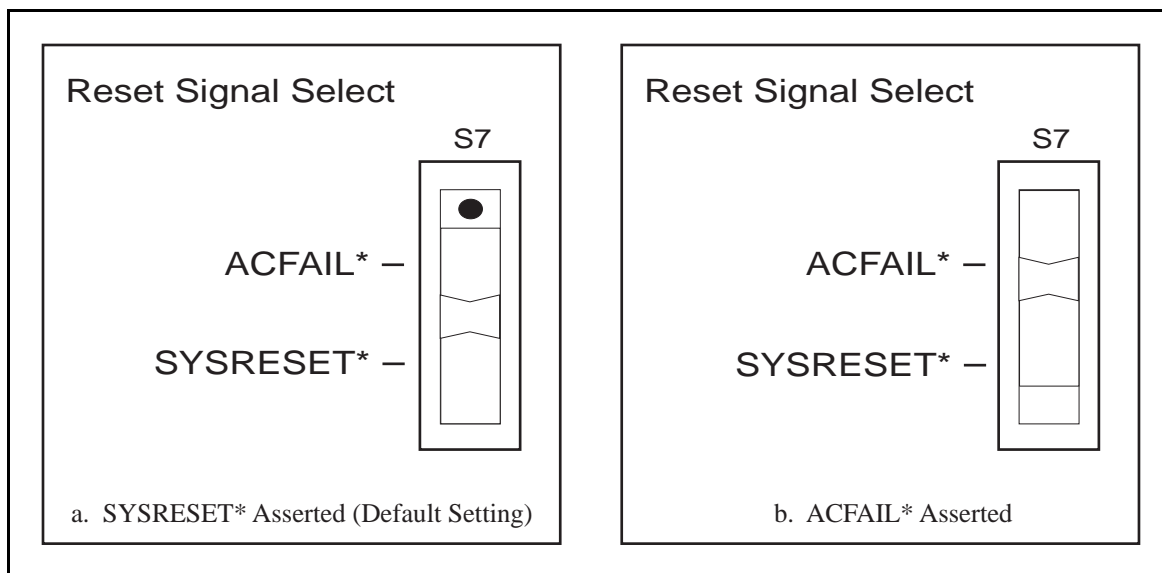


Figure 3-19. Reset Signal Selection Settings

## Installing the VXI-MXI Hardware

The VXI-MXI is a VXIbus extender device; it has no onboard intelligence or memory. For the VXI-MXI to perform as a MXIbus master, a device with VMEbus master capability must be installed in the VXIbus mainframe. For the VXI-MXI to perform as a MXIbus slave in A16, A24, or A32 space, a slave VMEbus device with resources in those address spaces must be installed in the VXIbus mainframe.

**Warning:** *The VXI-MXI is shipped from the factory configured to be installed into Slot 0 of your VXIbus mainframe. Installing your VXI-MXI into any slot other than Slot 0 without changing its default configuration can damage the VXI-MXI, the VXIbus backplane, or both.*

If a device is already installed in Slot 0, reconfigure that device and install it in another slot, or reconfigure your VXI-MXI for Non-Slot 0 use. Do not install a device configured for Slot 0 into another slot without first reconfiguring it for Non-Slot 0 use. Remember that the VXI-MXI must have the VMEbus BTO. If another device is providing the VMEbus BTO function, disable its BTO before installing the VXI-MXI.

## MXIbus Termination

The MXIbus is a matched impedance bus and requires termination networks at the first and last device in the MXIbus daisy-chain. These terminations minimize reflections caused by impedance discontinuities at the ends of the cables. These termination networks are located at the end device's MXIbus connectors and can be either external self-contained modules or internal plug-in resistor packages. The VXI-MXI comes with terminating resistors installed. If you prefer, you can replace them with external resistor packages for easy system reconfiguration. Figure 3-20 shows an example of a daisy-chained MXIbus system, including terminators.

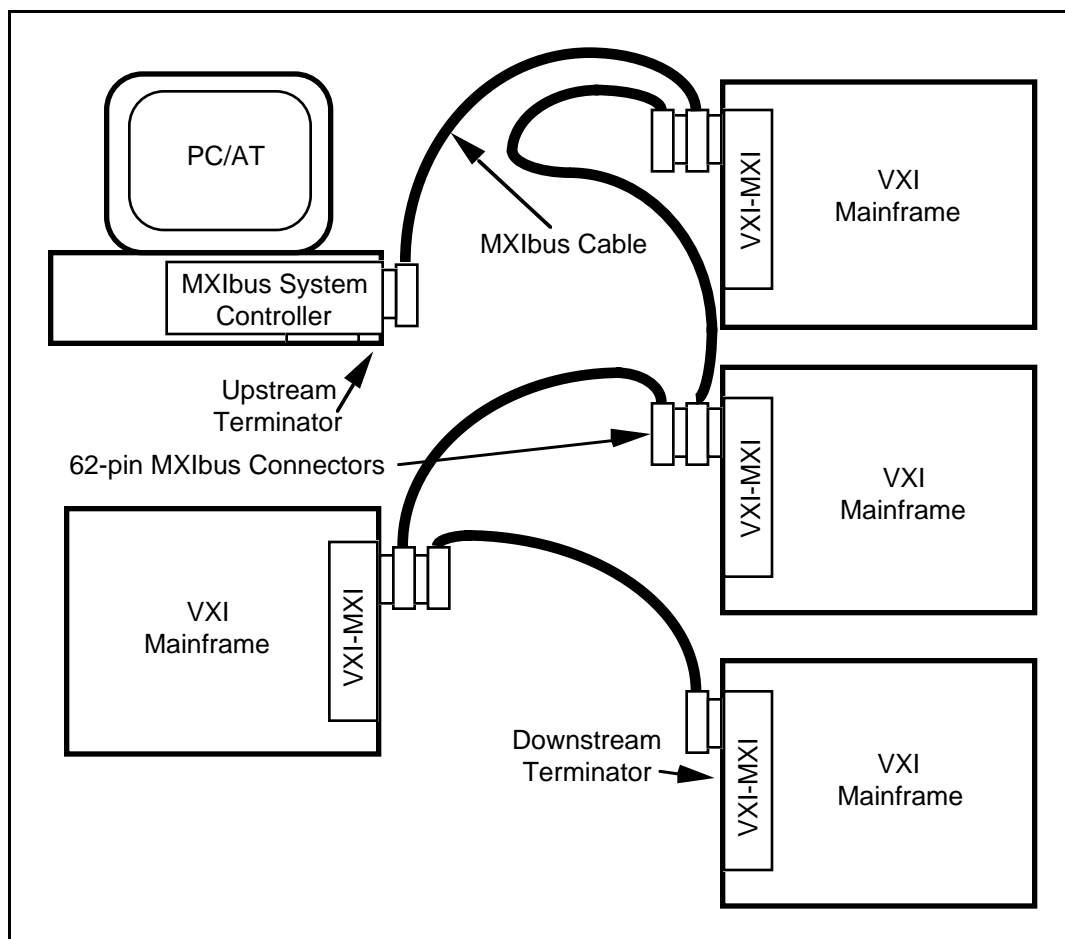


Figure 3-20. MXIbus System

The VXI-MXI uses the TERMPWR connection on the MXIbus connector as the power source for external MXIbus termination networks. TERMPWR is protected by a fuse that limits the maximum current that can be drawn to 2A. The fuse is soldered on the module and is not user replaceable.

**Note:** *TERMPWR is not intended to provide power to any other device.*

The VXI-MXI is shipped from the factory with terminating SIP resistor networks installed. If the VXI-MXI will be the first or last device in the MXIbus daisy-chain and external terminating

networks are not used, you should leave these internal terminators in place. If the VXI-MXI is not going to be an end device, or if you will be using external terminators, remove the terminating resistor networks from their sockets and store them in a safe place in case the MXIbus system changes.

Figure 3-21 shows the position of the six MXIbus terminating networks. All six MXIbus networks must be either installed or removed from their sockets. Figure 3-21 also shows the INTX terminating networks for VXI-MXIs that include the INTX daughter card option.



Figure 3-21. MXIbus Terminating Networks

## INTX Termination

If your VXI-MXI includes the INTX daughter card option, you must follow much the same procedure for termination as for the MXIbus terminators. The INTX bus requires termination networks at the first and last devices in the INTX chain. These terminations minimize reflections caused by impedance discontinuities at the ends of the cables and bias the signal lines to their unasserted state when they are not driven. The INTX daughter card comes with terminating resistors installed, as shown in Figure 3-21 along with the MXIbus termination resistors.

If the daughter card will be the first or last device in the INTX chain (irrespective of the VXI-MXI's position in the MXIbus chain), you should leave these terminators in place. If the daughter card is not going to be an end device, remove all four terminating resistor networks from their sockets. Store them in a safe place in case your system configuration changes. Figure 3-22 shows an example of a daisy-chained MXIbus and INTX system, including terminators.

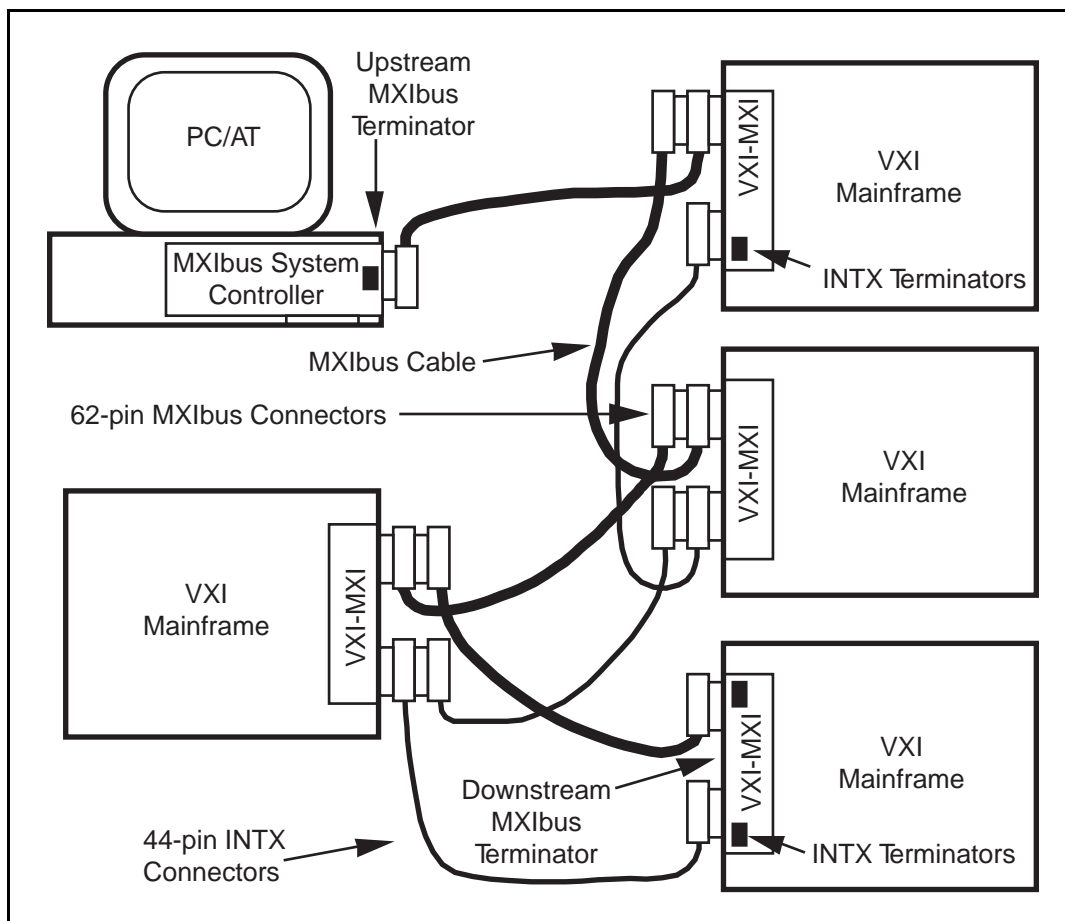


Figure 3-22. INTX Terminator Example

## Installation Instructions

Verify the following configuration considerations before installing the VXI-MXI:

- If installing the VXI-MXI in a slot other than Slot 0, verify that you have changed the settings of the two *VXIbus Slot 0* slide switches, the *VME BTO Chain Position* jumper, and the *CLK10 Source Select* jumpers.
- Multiple VXI-MXIs must be installed in adjacent slots with proper *VME BTO Chain Position* jumper settings, and the VMEbus BTO must be enabled on one of them.

- If interlocked mode is used, the VXI-MXIs must be the highest priority VMEbus requesters in their mainframe. However, one, *and only one*, mainframe in the MXIbus link can have a higher priority VMEbus requester than its VXI-MXIs.
- The first and last MXIbus devices in the MXIbus link must be terminated.
- No two devices in your VXIbus/MXIbus system can have the same logical address.

After you verify the termination networks, switches, and jumpers, record all settings on the *VXI-MXI Hardware and Software Configuration Form* in Appendix F, *Customer Communication*. You are now ready to install the VXI-MXI. Following are general instructions for installing your VXI-MXI in your VXIbus mainframe. Consult the user manual or technical reference manual of your VXIbus mainframe for specific instructions and warnings.

1. Remove power from the mainframe.
2. Remove or open any doors or covers blocking access to the mainframe slots.
3. If the VXI-MXI will be installed in a D-size mainframe, install a support designed for installing C-size cards in D-size mainframes.
4. Insert the VXI-MXI into the slot of the mainframe by aligning the top and bottom of the card with the card guides inside the mainframe. Slowly push the VXI-MXI straight into the slot until it seats in the backplane receptacles. The front panel of the VXI-MXI should be even with the front panel of the mainframe.
5. Tighten the retaining screws on the top and bottom edges of the front panel.
6. Check installation.
7. Connect MXIbus and SMB cables as required.
8. Replace or close any doors or covers to the mainframe.
9. Restore power to the mainframe.

## Connecting the INTX Cable

For VXI-MXIs with the INTX daughter card option, you must use special INTX cables for routing the additional VMEbus and VXIbus signals to other frames. The INTX cable provides either a straight point to point link (National Instruments part number 180980-XX where XX is the length in meters) or a single connector to dual connector link (National Instruments part number 180982-XX, where XX is the length in meters), which gives you the ability to connect more than two devices together.

Notice that while the MXIbus is a prioritized daisy-chain, INTX signals are bused to every device and no priority exists. Like the MXIbus, however, INTX cables must be connected in a daisy-chain fashion to prevent impedance discontinuities from stubs that are created in a star-type configuration.

Secure the INTX cable(s) on the back of the INTX connector using the captive screw elements to ensure that the cable(s) will not accidentally become disconnected.

## Connecting the MXIbus Cable

MXIbus devices are daisy-chained together with MXIbus cables. Dual-ended cables are polarized and require proper connection to function properly. The VXI-MXI uses a shielded 62-pin high-density D-subminiature device connector specified in the MXIbus specification. When properly configured, MXIbus cables will dress down and away from the VXIbus mainframe. Ensure that the proper cable ends are connected to the intended devices. See Figure 3-20.

If your VXI-MXI is the first or last device in the MXIbus and you choose to use an external termination network, install it on the VXI-MXI connector before attaching the MXIbus cable. Be sure to press the terminator firmly in place and use the captive screw elements to secure the terminator in place.

If your cable has a single connector on each end of the cable (National Instruments part number 180758-XX, where XX is the length in meters), it is suitable for connecting two MXIbus devices together. This cable is nonpolarized and can be installed with either end connected to either device. Connect one end of the cable to the MXIbus System Controller. Connect the other end of the cable to the second device. Figure 3-23 shows an AT-MXI serving as the MXIbus System Controller connected to a VXI-MXI.

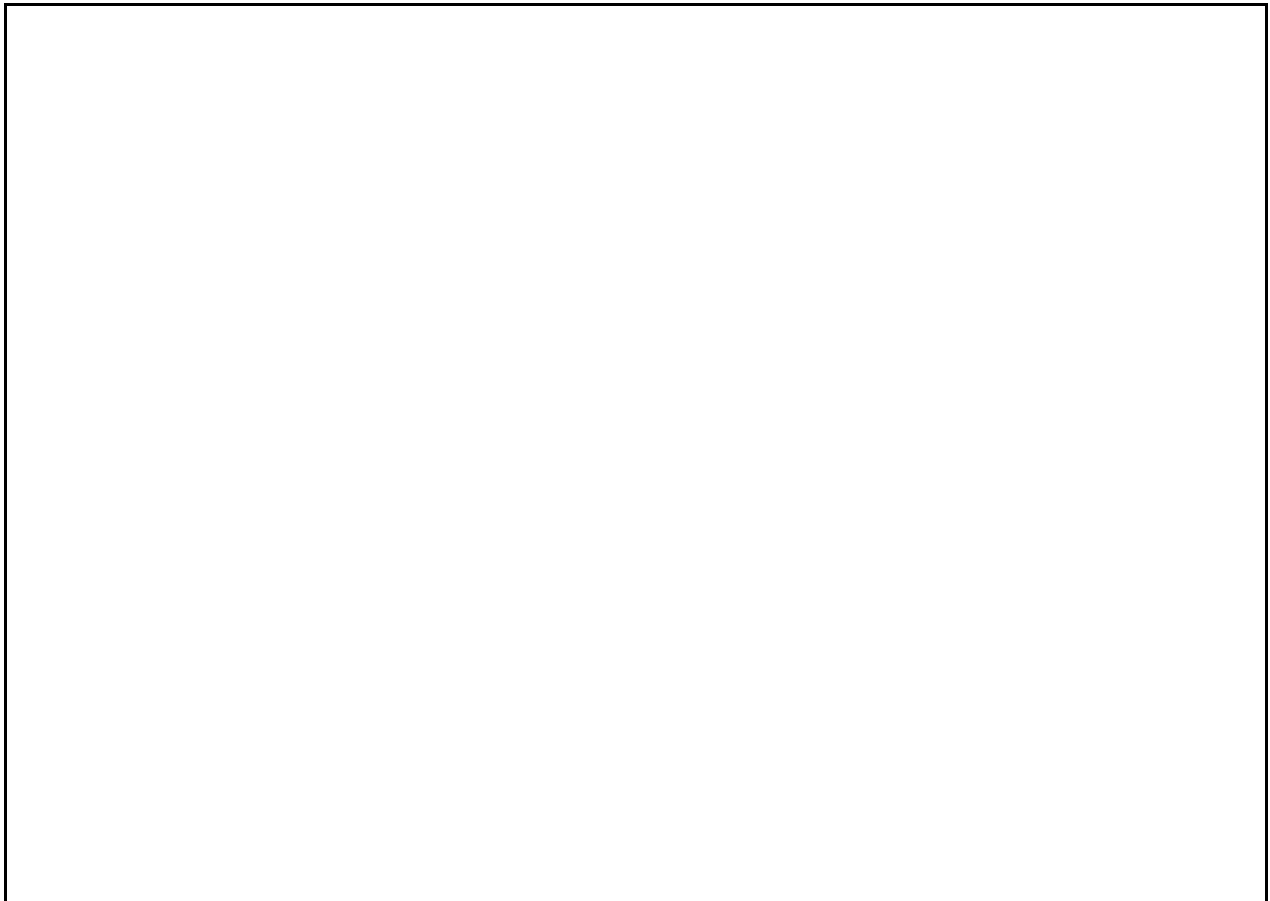


Figure 3-23. MXIbus Single-Ended Cable Configuration

If your MXIbus cable has a single connector on one end and a dual-ended connector on the other end (National Instruments part number 180760-XX or 180761-XX, where XX is the length in meters), you can create a MXIbus system that consists of more than two devices. A MXIbus system is defined as the set of devices physically connected by individual MXIbus cable links. These devices form a daisy-chain in which the relative priority of a device within that chain is determined by its proximity to the first device in the MXIbus system, the MXIbus System Controller. Devices closer to the MXIbus System Controller have a higher priority than others in the daisy-chain. Refer to Figure 3-20 for an example of a MXIbus system.

Begin establishing the system by connecting the end of the cable with the single connector to the MXIbus System Controller and the end of the cable with the dual-ended connectors to the next device in the MXIbus link. If your system contains more than two devices, connect the single connector of the next cable to the back of the dual-ended connector that you connected to the second MXIbus device. Connect the dual-connector end to the next device. Continue in this manner until you have all devices in your system connected.

**Note:** *A MXIbus system may contain no more than eight daisy-chained devices and must have a total cable distance not exceeding 20 meters.*

Secure the MXIbus cable(s) on the back of the MXIbus connector (or terminating network) using the captive screw elements to ensure that the cable(s) will not accidentally become disconnected.

Figure 3-24 shows an AT-MXI serving as the MXIbus System Controller connected with the single connector end of the cable, and a VXI-MXI connected with the dual-ended connector.

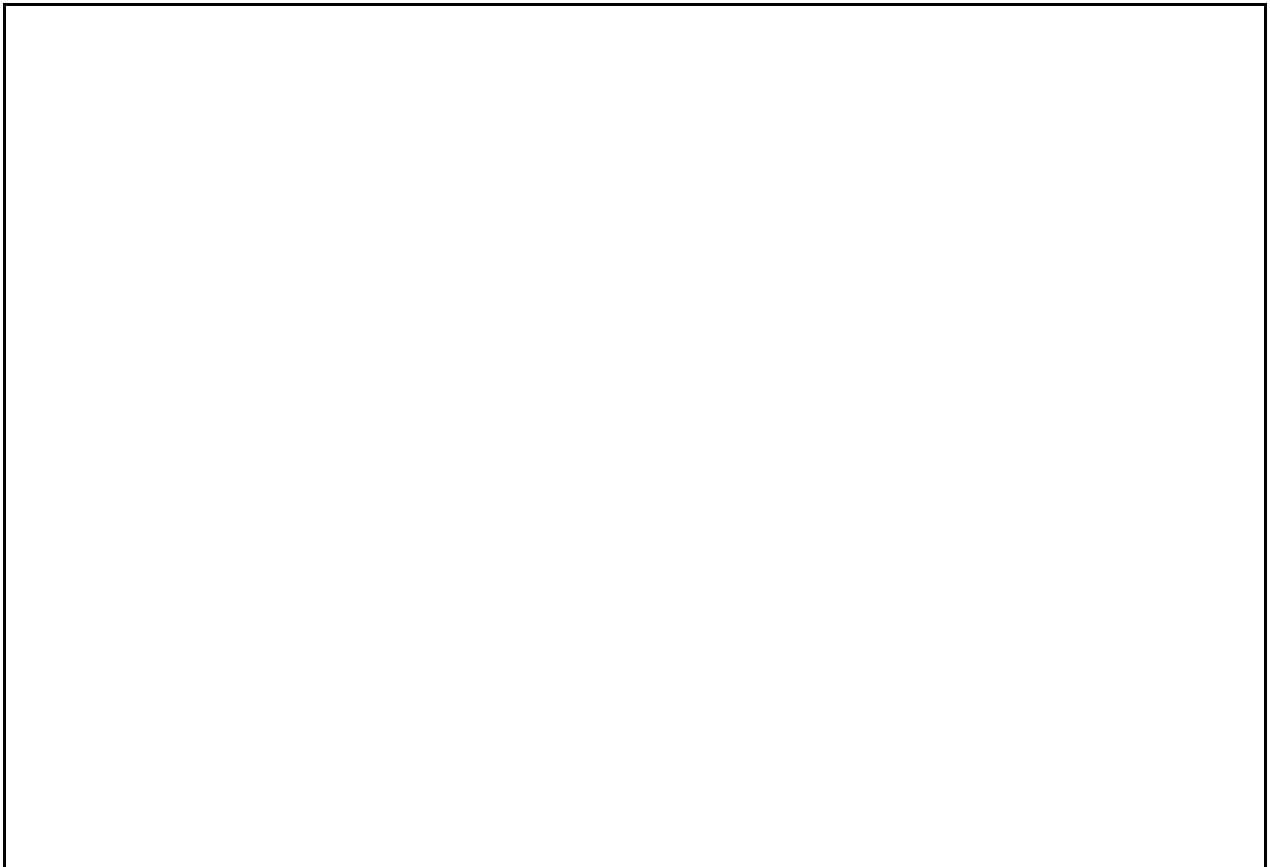


Figure 3-24. MXIbus Dual-Ended Cable Configuration



In a properly configured MXIbus system, the first and last devices in the daisy-chain each have only one cable connected to their device connector. MXIbus devices that are neither the first nor the last device in the daisy-chain have two (and only two) MXIbus cables attached to their device connector.

### System Power Cycling Requirements

A distributed architecture such as MXIbus does not have a common power bus or reset signal to ensure that *all* devices within the extended system are initialized at the same time. Therefore, powering-on a device after other devices in the system have already received power and become functional may cause unintended bus activity due to the power-up state of that device. This bus activity could result in a powered, functional MXIbus device making an attempt to respond. If this response initiates bus arbitration, for example, the arbitration mechanism could become hung while waiting for a nonexistent master to assume control of the bus.

To guard against this type of bus activity, you should keep in mind that two types of systems exist with respect to power cycling. The first of these is one in which power is supplied to all devices at roughly the same time as is the case for a system with a master power switch. In such a system, proper operation is guaranteed if the last device to reach 5V does so within roughly half of a second of the first device to reach 5V. The second type of system is one in which power is applied to each MXIbus device separately. In this type of system, you must power-on devices starting with the device at the *end* of the MXIbus link opposite the MXIbus System Controller and progress towards the MXIbus System Controller. The MXIbus System Controller should be the *last* device on the MXIbus link to receive power. Conversely, when removing system power, you should power-down the device farthest from the MXIbus System Controller *last* so that the termination resistors on the end device ensure that the MXIbus lines remain unasserted throughout the power-down sequence.

When shutting down a system, you must ensure that all devices that could be adversely affected by unintended bus cycles or interrupts have their windows and interrupt mapping disabled. The VXI-MXI itself will not be affected during power-down; however, there may be devices in the same frame as the VXI-MXI that could be affected.

Table 3-1 summarizes MXIbus system power cycling requirements.

Table 3-1. MXIbus System Power Cycling Requirements

| System Type         | Power-On Requirements                                                                                                                                                               | Power-Off Requirements                                                                                                                                                                                                                              |
|---------------------|-------------------------------------------------------------------------------------------------------------------------------------------------------------------------------------|-----------------------------------------------------------------------------------------------------------------------------------------------------------------------------------------------------------------------------------------------------|
| Master Power Switch | All devices must receive power within 0.5 seconds of each other.                                                                                                                    | Disable all A24 and A32 inward mapping to devices that could be adversely affected by an unintended access. Disable all mapping of interrupts.                                                                                                      |
| Distributed         | Power-on devices along the MXIbus link beginning with the non-MXIbus System Controller end of the MXIbus link. Make sure the MXIbus System Controller is the last to receive power. | Power-off devices in opposite order of power-on sequence (power off MXIbus System Controller first). Disable all A24 and A32 inward mapping to devices that could be adversely affected by an unintended access. Disable all mapping of interrupts. |

Keep in mind that a system can contain only one device acting as the VXIbus Resource Manager (RM). It is important that the RM be run only after all other devices in the system have been powered on. Because many RMs execute automatically upon power-up, you must be sure when working with a distributed system to power-on the device containing the RM last. This implies that any VXI-MXIs in that frame must be the MXIbus System Controllers for their respective MXIbus systems to keep the preceding power-on procedures for individual MXIbus systems.

## VMEbus Devices in VXIbus/MXIbus Systems

If you have VMEbus devices installed in your VXIbus system, pay special attention to how the A16 resources used by the VMEbus cards are configured. The VXIbus specification has reserved the upper 16 KB of A16 space for configuration registers on VXIbus devices. During system initialization, the system Resource Manager scans the upper 16 KB of A16 searching for VXIbus devices. Ensure that VMEbus devices are not mistaken for VXIbus devices.

If possible, you should configure the A16 resources for your VMEbus boards in the lower 48 KB (0000 through BFFF hex) of A16 space, so as to not interfere with VXIbus configuration space. The logical address window is then used for mapping configuration space for VXIbus devices, while the A16 window is used for mapping configuration space for VMEbus devices. If you must configure any of the VMEbus module's A16 resources in the upper 16 KB (C000 through FFFF hex) of A16 space, you need to indicate to the system Resource Manager that there are non-VXIbus foreign devices installed. Be careful not to configure any static VXIbus logical addresses in the portions of A16 space occupied by the VMEbus devices.

# Chapter 4

## Register Descriptions

---

This chapter contains detailed information on the use of the VXI-MXI registers, which are used to configure and control the module's operation. All of these configuration registers are accessible from the VMEbus (in the VXIbus configuration space) and from the MXIbus. If you are not writing your own multiframe Resource Manager routines, you can skip over this chapter.

### Register Maps

The register map for the VXI-MXI configuration registers is shown in Table 4-1 and Figure 4-1. The table gives the register name, the register address, the size of the register in bits, and the type of the register (read only, write only, or read/write). The base address for the VXI-MXI configuration space in A16 space is equal to the VXIbus logical address assigned to the VXI-MXI shifted left six times and ORed with hex C000.

### Register Sizes

The VMEbus supports three different transfer sizes for read/write operations: 8-bit, 16-bit, or 32-bit. Table 4-1 shows the size of the registers on the VXI-MXI. All 16-bit registers can be accessed using 8-bit read/write operations.

### Register Description Format

Each register bit map shows a diagram of the register with the most significant bit (bit 15 for a 16-bit register, bit 7 for an 8-bit register) shown on the left, and the least significant bit (bit 0) shown on the right. A square is used to represent each bit. Each bit is labeled with a name inside its square. An asterisk (\*) after the bit name indicates that the signal is active low. An asterisk is equivalent to an overbar.

### Hard and Soft Reset

Each register description indicates whether the bits are cleared by a hard and/or soft reset. A hard reset occurs when the mainframe is powered on and when the VMEbus SYSRESET signal is active. A hard reset clears all the registers on the VXI-MXI. A soft reset occurs when the RESET bit in the VXIbus Control Register is set. A soft reset clears signals that are asserted by bits in the configuration registers but does not clear configuration information stored in the configuration registers.

Table 4-1. VXI-MXI Register Map

| Register Name                         | Offset from Base Address (Hex) | Type       | Size   |
|---------------------------------------|--------------------------------|------------|--------|
| VXIbus ID Register                    | 0                              | Read Only  | 16-bit |
| Device Type Register                  | 2                              | Read Only  | 16-bit |
| VXIbus Status/Control Register        | 4                              | Read/Write | 16-bit |
| MODID Register                        | 8                              | Read/Write | 16-bit |
| Logical Address Window Register       | A                              | Read/Write | 16-bit |
| A16 Window Map Register               | C                              | Read/Write | 16-bit |
| A24 Window Map Register               | E                              | Read/Write | 16-bit |
| A32 Window Map Register               | 10                             | Read/Write | 16-bit |
| INTX Interrupt Configuration *        | 12                             | Read/Write | 16-bit |
| INTX Trigger Configuration *          | 14                             | Read/Write | 16-bit |
| INTX Utility Configuration *          | 18                             | Read/Write | 16-bit |
| Subclass Register                     | 1E                             | Read Only  | 16-bit |
| MXIbus Status/Control Register        | 20                             | Read/Write | 16-bit |
| MXIbus Lock Register                  | 22                             | Read/Write | 16-bit |
| MXIbus IRQ Configuration Register     | 24                             | Read/Write | 16-bit |
| Drive Triggers/Read LA Register       | 26                             | Read/Write | 16-bit |
| Trigger Mode Selection Register       | 28                             | Read/Write | 16-bit |
| Interrupt Status/Control Register     | 2A                             | Read/Write | 16-bit |
| Status/ID Register                    | 2C                             | Read/Write | 16-bit |
| MXIbus Trigger Configuration Register | 2E                             | Read/Write | 16-bit |
| Trigger Sync. Acknowledge Register    | 34                             | Write Only | 8-bit  |
| Trigger Async. Acknowledge Register   | 36                             | Write Only | 8-bit  |
| Interrupt Acknowledge for IRQ1        | 32                             | Read Only  | 16-bit |
| Interrupt Acknowledge for IRQ2        | 34                             | Read Only  | 16-bit |
| Interrupt Acknowledge for IRQ3        | 36                             | Read Only  | 16-bit |
| Interrupt Acknowledge for IRQ4        | 38                             | Read Only  | 16-bit |
| Interrupt Acknowledge for IRQ5        | 3A                             | Read Only  | 16-bit |
| Interrupt Acknowledge for IRQ6        | 3C                             | Read Only  | 16-bit |
| Interrupt Acknowledge for IRQ7        | 3E                             | Read Only  | 16-bit |

\* The three INTX registers at offsets 12, 14, and 18 are only available on VXI-MXIs with the INTX daughter card option. On VXI-MXIs without the INTX option, the entire range between offsets 12 and 1C (inclusive) is VXI-MXI Reserved Space.

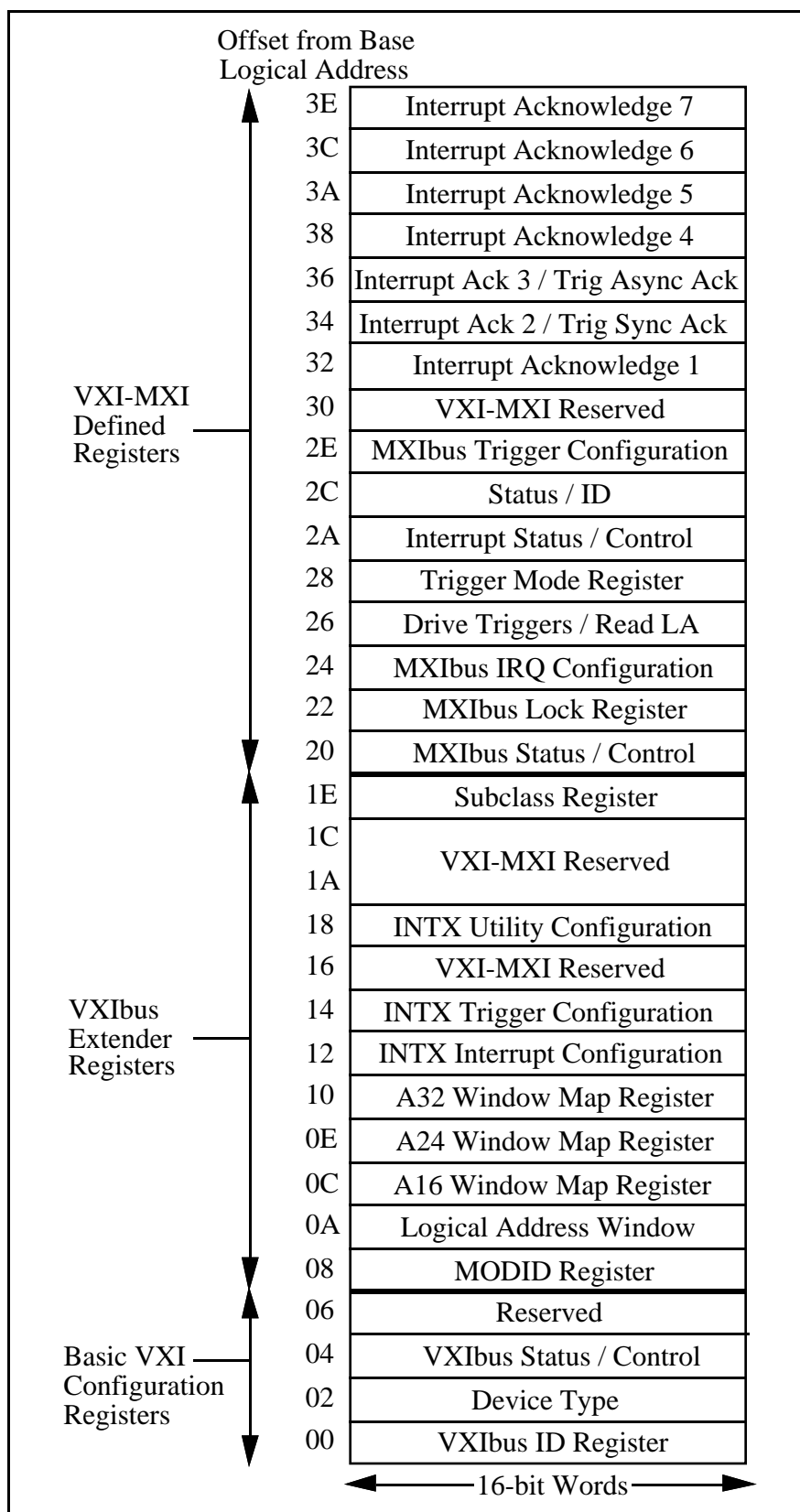


Figure 4-1. VXI-MXI Register Map

## VXibus Configuration Registers

These registers are defined by the VXibus specification for all VXibus devices.

### VXibus ID Register

VXibus Address: Base Address + 0 (hex)

Attributes: Read Only

|          |    |      |    |       |    |   |   |   |   |   |   |   |   |   |   |   |
|----------|----|------|----|-------|----|---|---|---|---|---|---|---|---|---|---|---|
| 15       | 14 | 13   | 12 | 11    | 10 | 9 | 8 | 7 | 6 | 5 | 4 | 3 | 2 | 1 | 0 | R |
| 0        | 1  | 1    | 1  | 1     | 1  | 1 | 1 | 1 | 1 | 1 | 1 | 0 | 1 | 1 | 0 |   |
| DEVCLASS |    | ADDR |    | MANID |    |   |   |   |   |   |   |   |   |   |   |   |

This register provides information about this device and its configuration. The bits in this register are configured in hardware as shown above. Hard and soft resets have no effect on this register.

| Bit | Mnemonic | Description |
|-----|----------|-------------|
|-----|----------|-------------|

|        |          |                   |
|--------|----------|-------------------|
| 15-14r | DEVCLASS | Device Class Bits |
|--------|----------|-------------------|

These bits indicate the device class of the VXibus device as follows:

- 00 = Memory
- 01 = Extended
- 10 = Message-Based
- 11 = Register-Based

The VXI-MXI is an extended device defined by National Instruments; therefore, these bits are configured in hardware as binary 01.

|        |      |                    |
|--------|------|--------------------|
| 13-12r | ADDR | Address Space Bits |
|--------|------|--------------------|

These bits indicate the address spaces in which the VXibus device has operational registers as follows:

- 00 = A16/A24
- 01 = A16/A32
- 10 = Reserved
- 11 = A16 Only

The VXI-MXI has operational registers in A16 only; therefore, these bits are configured in hardware as binary 11.

11-0r      MANID

Manufacturer ID Bits

This number uniquely identifies the manufacturer of the VXIbus device. These bits are configured in hardware as hex FF6, the VXIbus manufacturer ID number assigned to National Instruments.

## Device Type Register

VXIbus Address: Base Address + 2 (hex)

Attributes: Read Only

|       |    |    |    |     |    |   |   |   |   |   |   |   |   |   |   |   |
|-------|----|----|----|-----|----|---|---|---|---|---|---|---|---|---|---|---|
| 15    | 14 | 13 | 12 | 11  | 10 | 9 | 8 | 7 | 6 | 5 | 4 | 3 | 2 | 1 | 0 | R |
| 0     | 0  | 0  | 0  | 1/0 | 0  | 0 | 0 | 1 | 1 | 1 | 1 | 1 | 1 | 1 | 1 | 0 |
| MODEL |    |    |    |     |    |   |   |   |   |   |   |   |   |   |   |   |

This register indicates how much VMEbus memory is required by this VXIbus device, and identifies this device with a manufacturer's unique model code. The bits in this register are set in hardware to the values shown above. Hard and soft resets have no effect on this register.

| Bit   | Mnemonic | Description     |
|-------|----------|-----------------|
| 15-0r | MODEL    | Model Code Bits |

These bits contain a unique number assigned to this device by the manufacturer to identify this device. Model codes between 0-FF are assigned to Slot 0 devices. When the VXI-MXI is in Slot 0, bit 11 is 0 and its model code is hex 00FE. When the VXI-MXI is not in Slot 0, bit 11 is 1 and its model code is hex 08FE.



## VXIbus Status/Control Register

VXIbus Address: Base Address + 4 (hex)

Attributes: Read/Write

|         |        |        |    |     |      |   |        |   |
|---------|--------|--------|----|-----|------|---|--------|---|
| 15      | 14     | 13     | 12 | 11  | 10   | 9 | 8      | R |
| 1       | MODID* | EDTYPE |    |     |      | 1 | ACCDIR |   |
| 0       | 0      | 0      | 0  | 0   | 0    | 0 | 0      |   |
|         |        |        |    |     |      |   |        | W |
| 7       | 6      | 5      | 4  | 3   | 2    | 1 | 0      | R |
| VERSION |        |        |    | RDY | PASS | 1 | RESET  |   |
| 0       | 0      | 0      | 0  | 0   | 0    | 0 | RESET  |   |
|         |        |        |    |     |      |   |        | W |

This register provides status information about this VXIbus device and provides a bit to force the VXI-MXI into a Soft Reset state. The RESET bit is cleared on a hard reset. Hard and soft resets have no effect on the other bits on this register.

| Bit                                          | Mnemonic | Description                                                                                                                                                                                                                                                                                                                                                                                                                                            |
|----------------------------------------------|----------|--------------------------------------------------------------------------------------------------------------------------------------------------------------------------------------------------------------------------------------------------------------------------------------------------------------------------------------------------------------------------------------------------------------------------------------------------------|
| 15r/w,<br>14-10w,<br>9r/w, 8w,<br>7-2w, 1r/w | 1        | Reserved Bits<br><br>These bits are reserved and read back as ones. Write a zero when writing to these bits.                                                                                                                                                                                                                                                                                                                                           |
| 14r                                          | MODID*   | MODID Line Status Bit<br><br>This bit is zero when the device is selected by the MODID line, and one when the device is not selected by the MODID line. This bit is read only.                                                                                                                                                                                                                                                                         |
| 13-10r                                       | EDTYPE   | Extended Device Type Class Bits<br><br>These bits are driven low by an optional daughter card installed on the two 96-pin daughter card connectors. They identify the daughter card and its capabilities. When a daughter card is not installed, these bits are all ones. The INTX daughter card has been assigned extended device type class hex E; therefore, when the VXI-MXI includes this option, these bits are hex E. These bits are read only. |
| 8r                                           | ACCDIR   | Access Direction Bit<br><br>When this bit is one, the current access to the Status register originated from a device on the MXIbus. When this bit is zero, the current access to the Status register originated from a device on the VMEbus. This bit is read only.                                                                                                                                                                                    |

| 7-4r                  | VERSION                 | <p>VXI-MXI Version Number Bits</p> <p>These bits specify the revision version number of the VXI-MXI according the table below. These bits are read only.</p> <table border="0" style="margin-left: auto; margin-right: auto;"> <thead> <tr> <th style="text-align: center;"><u>Version Number</u></th> <th style="text-align: center;"><u>VXI-MXI Revision</u></th> </tr> </thead> <tbody> <tr> <td style="text-align: center;">Hex D</td> <td style="text-align: center;">Revision D</td> </tr> <tr> <td style="text-align: center;">Hex C</td> <td style="text-align: center;">Revision E</td> </tr> <tr> <td style="text-align: center;">Hex B</td> <td style="text-align: center;">Revision F</td> </tr> <tr> <td style="text-align: center;">Hex A</td> <td style="text-align: center;">Revision G</td> </tr> </tbody> </table> | <u>Version Number</u> | <u>VXI-MXI Revision</u> | Hex D | Revision D | Hex C | Revision E | Hex B | Revision F | Hex A | Revision G |
|-----------------------|-------------------------|--------------------------------------------------------------------------------------------------------------------------------------------------------------------------------------------------------------------------------------------------------------------------------------------------------------------------------------------------------------------------------------------------------------------------------------------------------------------------------------------------------------------------------------------------------------------------------------------------------------------------------------------------------------------------------------------------------------------------------------------------------------------------------------------------------------------------------------|-----------------------|-------------------------|-------|------------|-------|------------|-------|------------|-------|------------|
| <u>Version Number</u> | <u>VXI-MXI Revision</u> |                                                                                                                                                                                                                                                                                                                                                                                                                                                                                                                                                                                                                                                                                                                                                                                                                                      |                       |                         |       |            |       |            |       |            |       |            |
| Hex D                 | Revision D              |                                                                                                                                                                                                                                                                                                                                                                                                                                                                                                                                                                                                                                                                                                                                                                                                                                      |                       |                         |       |            |       |            |       |            |       |            |
| Hex C                 | Revision E              |                                                                                                                                                                                                                                                                                                                                                                                                                                                                                                                                                                                                                                                                                                                                                                                                                                      |                       |                         |       |            |       |            |       |            |       |            |
| Hex B                 | Revision F              |                                                                                                                                                                                                                                                                                                                                                                                                                                                                                                                                                                                                                                                                                                                                                                                                                                      |                       |                         |       |            |       |            |       |            |       |            |
| Hex A                 | Revision G              |                                                                                                                                                                                                                                                                                                                                                                                                                                                                                                                                                                                                                                                                                                                                                                                                                                      |                       |                         |       |            |       |            |       |            |       |            |
| 3r                    | RDY                     | <p>Ready Bit</p> <p>This bit is set to one in hardware to indicate that the device is ready to execute its full functionality. This bit is read only.</p>                                                                                                                                                                                                                                                                                                                                                                                                                                                                                                                                                                                                                                                                            |                       |                         |       |            |       |            |       |            |       |            |
| 2r                    | PASS                    | <p>Passed Bit</p> <p>This bit is set to one in hardware to indicate that the device is functional. This bit is read only.</p>                                                                                                                                                                                                                                                                                                                                                                                                                                                                                                                                                                                                                                                                                                        |                       |                         |       |            |       |            |       |            |       |            |
| 0r/w                  | RESET                   | <p>Reset Bit</p> <p>When this bit is set, the VXI-MXI is forced into the Soft Reset state. When this bit is cleared, the VXI-MXI is in the normal operation state. This bit is readable and is cleared on a hard reset.</p>                                                                                                                                                                                                                                                                                                                                                                                                                                                                                                                                                                                                          |                       |                         |       |            |       |            |       |            |       |            |

## VXIbus Extender Registers

These registers are defined for VXIbus extender devices.

### MODID Register

VXIbus Address: Base Address + 8 (hex)

Attributes: Read/Write

|        |        |        |         |         |         |        |        |     |
|--------|--------|--------|---------|---------|---------|--------|--------|-----|
| 15     | 14     | 13     | 12      | 11      | 10      | 9      | 8      |     |
| 0      | 0      | OUTEN  | MODID12 | MODID11 | MODID10 | MODID9 | MODID8 | R/W |
| 7      | 6      | 5      | 4       | 3       | 2       | 1      | 0      |     |
| MODID7 | MODID6 | MODID5 | MODID4  | MODID3  | MODID2  | MODID1 | MODID0 | R/W |

This register provides control and status of the MODID lines when the VXI-MXI is installed in Slot 0.

| Bit      | Mnemonic    | Description                                                                                                                                                                                                                                                                                                                    |
|----------|-------------|--------------------------------------------------------------------------------------------------------------------------------------------------------------------------------------------------------------------------------------------------------------------------------------------------------------------------------|
| 15-14r/w | 0           | Reserved Bits<br><br>These bits are reserved and read back as zeros. Write a zero when writing to these bits.                                                                                                                                                                                                                  |
| 13r/w    | OUTEN       | MODID Output Enable Bits<br><br>When this bit is set, the VXI-MXI is enabled to drive the MODID lines. When this bit is cleared, the MODID drivers are disabled. This bit should only be set when the VXI-MXI is in Slot 0. This bit is cleared on both hard and soft resets.                                                  |
| 12-0r/w  | MODID[12-0] | MODID Drive Bits<br><br>If the OUTEN bit is set, setting one of these bits drives the corresponding MODID line high, and clearing the bit drives the line low. Independent of OUTEN, reading these bits always returns the current status of the corresponding MODID lines. Hard and soft resets have no effect on these bits. |

## Logical Address Window Register

VXIBus Address: Base Address + A (hex)

Attributes: Read/Write

This register defines the range of logical addresses that are mapped into and out of the VXI-MXI through the MXIBus. This register defines a configuration window in the upper 16 KB of A16 space. These bits are cleared on a hard reset.

The CMODE bit in the MXIBus Control Register selects the format of this register. If the CMODE bit is 0 (default), a Base/Size window comparison is used to determine the range of addresses in the window. If the CMODE bit is set, an upper and lower bound is used to determine the range of addresses in the window.

The Logical Address Window Register has the following format when the CMODE bit is cleared:

|         |         |         |         |         |         |         |         |     |
|---------|---------|---------|---------|---------|---------|---------|---------|-----|
| 15      | 14      | 13      | 12      | 11      | 10      | 9       | 8       | R   |
| 0       | LAEN    | LADIR   | 1       | 1       | LASIZE2 | LASIZE1 | LASIZE0 |     |
| 0       | LAEN    | LADIR   | 0       | 0       | LASIZE2 | LASIZE1 | LASIZE0 | W   |
| 7       | 6       | 5       | 4       | 3       | 2       | 1       | 0       |     |
| LABASE7 | LABASE6 | LABASE5 | LABASE4 | LABASE3 | LABASE2 | LABASE1 | LABASE0 | R/W |

| Bit   | Mnemonic | Description                                                                                                                                                                                                                                                                                                                                                                               |
|-------|----------|-------------------------------------------------------------------------------------------------------------------------------------------------------------------------------------------------------------------------------------------------------------------------------------------------------------------------------------------------------------------------------------------|
| 15r/w | 0        | Reserved Bit<br><br>This bit is reserved and reads back as zero. Write a zero when writing to these bits.                                                                                                                                                                                                                                                                                 |
| 14r/w | LAEN     | Logical Address Window Enable Bit<br><br>When this bit is set, the logical address mapping window is enabled. When this bit is cleared, the logical address mapping window is disabled except for the logical address of this device. Access to the VXI-MXI's own configuration space is always enabled.                                                                                  |
| 13r/w | LADIR    | Logical Address Window Direction Bit<br><br>When this bit is set, the logical address window applies to MXIBus cycles that are mapped into VXIBus cycles (inward cycles). When this bit is cleared, the logical address window applies to VXIBus cycles that are mapped out into MXIBus cycles (outward cycles). The complement of the defined range is mapped in the opposite direction. |

| LAEN | LADIR | Window Applies to        |
|------|-------|--------------------------|
| 0    | X     | Disabled                 |
| 1    | 0     | VXI cycles to MXI cycles |
|      | 1     | MXI cycles to VXI cycles |

12-11r/w 1

Reserved Bits

These bits are reserved and read back as ones. Write a zero when writing to these bits.

10-8r/w LASIZE[2-0]

Logical Address Window Size Bits

This 3-bit number specifies the number of significant address bits in the LABASE field that are compared when determining if an address is in the logical address window. The number of logical addresses in the window is  $2^{8-i}$  where  $i$  is the value of LASIZE [2-0]. Because  $i$  can range from 0 to 7, the minimum size of a logical address window is 2, and the maximum size is 256.

7-0r/w LABASE[7-0]

Logical Address Window Base Address Bits

These bits, in conjunction with the LASIZE bits, define the base address of the Logical Address window for the VXI-MXI. The LASIZE bits indicate the number of LABASE bits that are most significant. LABASE7 is the most significant, and LABASE0 is the least. The LABASE bits that are not significant can be replaced with zeros to provide the base address of the logical address window.

Logical Address Window Example:

| LABASE    | LASIZE | Logical Addresses in Window |
|-----------|--------|-----------------------------|
| any value | 0      | 00 to FF                    |
| 00        | 1      | 00 to 7F                    |
| 08        | 2      | 00 to 3F                    |
| 18        | 3      | 00 to 1F                    |
| 3F        | 4      | 30 to 3F                    |
| 55        | 5      | 50 to 57                    |
| 88        | 6      | 88 to 8B                    |
| CC        | 7      | CC to CD                    |
| AA        | 0      | 00 to FF                    |
| AA        | 1      | 80 to FF                    |
| AA        | 2      | 80 to BF                    |
| AA        | 3      | A0 to BF                    |
| AA        | 4      | A0 to AF                    |
| AA        | 5      | A8 to AF                    |
| AA        | 6      | A8 to AB                    |
| AA        | 7      | AA to AB                    |

The Logical Address Window Register has the following format when the CMODE bit is set:

|         |         |         |         |         |         |         |         |     |
|---------|---------|---------|---------|---------|---------|---------|---------|-----|
| 15      | 14      | 13      | 12      | 11      | 10      | 9       | 8       |     |
| LAHIGH7 | LAHIGH6 | LAHIGH5 | LAHIGH4 | LAHIGH3 | LAHIGH2 | LAHIGH1 | LAHIGH0 | R/W |
| 7       | 6       | 5       | 4       | 3       | 2       | 1       | 0       |     |
| LALOW7  | LALOW6  | LALOW5  | LALOW4  | LALOW3  | LALOW2  | LALOW1  | LALOW0  | R/W |

| Bit     | Mnemonic    | Description                                                                                                                                         |
|---------|-------------|-----------------------------------------------------------------------------------------------------------------------------------------------------|
| 15-8r/w | LAHIGH[7-0] | Logical Address Window Upper Bound Bits<br><br>These bits define the upper limit of the range of MXIbus logical addresses that map into the VXIbus. |
| 7-0r/w  | LALOW[7-0]  | Logical Address Window Lower Bound Bits<br><br>These bits define the lower limit of the range of MXIbus logical addresses that map into the VXIbus. |

This register defines the range of MXIbus logical addresses that map into the VXIbus where that range is:

$$\text{LAHIGH} > \text{range} \text{ LALOW}$$

The VXIbus logical addresses mapped out of the VXI-MXI are the inverse of this range, that is, MXIbus logical addresses greater than or equal to the LAHIGH value or less than the LALOW value.

To map a consecutive range of VXIbus logical addresses out of the VXI-MXI, the lower bound of the range must be placed in the LAHIGH field and the upper bound in the LALOW field. In this case, the range of VXIbus logical addresses mapped out of the VXI-MXI is:

$$\text{LALOW} > \text{range} \text{ LAHIGH}$$

The MXIbus logical addresses mapped into the VXIbus are the inverse of this range, that is, VXIbus logical addresses greater than or equal to the LALOW value or less than the LAHIGH value.

The window is disabled whenever LAHIGH = LALOW = 0. All VXIbus logical addresses are mapped out to the MXIbus when:

$$\text{FF (hex) (LAHIGH = LALOW) 80 (hex)}$$

All MXIbus logical addresses are mapped into the VXIbus when:

$$\text{7F (hex) (LAHIGH = LALOW) > 0}$$

To accommodate 8-bit devices that write to this register, the window is not enabled until the lower byte of the register is written. Therefore, 8-bit devices should write the upper byte first, then the lower byte.

## A16 Window Map Register

VXIbus Address: Base Address + C (hex)

Attributes: Read/Write

This register defines the range of addresses in the lower 48 KB of A16 space that is mapped into and out of the VXI-MXI through the MXIbus. Earlier versions of the VXI-MXI required the A16 window to be statically configured with a DIP switch. Now the A16 window can only be dynamically configured with this register. These bits are cleared on a hard reset.

The CMODE bit in the MXIbus Control Register selects the format of this register. If the CMODE bit is 0 (default), a Base/Size window comparison is used to determine the range of addresses in the window. If the CMODE bit is set, an upper and lower bound is used to determine the range of addresses in the window.

The A16 Window Map Register has the following format when the CMODE bit is cleared:

|          |          |          |          |          |          |          |          |     |
|----------|----------|----------|----------|----------|----------|----------|----------|-----|
| 15       | 14       | 13       | 12       | 11       | 10       | 9        | 8        | R   |
| 0        | A16EN    | A16DIR   | 1        | 1        | A16SIZE2 | A16SIZE1 | A16SIZE0 |     |
| 0        | A16EN    | A16DIR   | 0        | 0        | A16SIZE2 | A16SIZE1 | A16SIZE0 |     |
|          |          |          |          |          |          |          |          | W   |
| 7        | 6        | 5        | 4        | 3        | 2        | 1        | 0        |     |
| A16BASE7 | A16BASE6 | A16BASE5 | A16BASE4 | A16BASE3 | A16BASE2 | A16BASE1 | A16BASE0 | R/W |

| Bit   | Mnemonic | Description                                                                                                                                                                                                                                                                                                                                           |
|-------|----------|-------------------------------------------------------------------------------------------------------------------------------------------------------------------------------------------------------------------------------------------------------------------------------------------------------------------------------------------------------|
| 15r/w | 0        | Reserved Bit<br><br>This bit is reserved and reads back as zero. Write a zero when writing to these bits.                                                                                                                                                                                                                                             |
| 14r/w | A16EN    | A16 Window Enable Bit<br><br>When this bit is set, the A16 mapping window is enabled. When this bit is cleared, the A16 mapping window is disabled.                                                                                                                                                                                                   |
| 13r/w | A16DIR   | A16 Window Direction Bit<br><br>When this bit is set, the A16 window applies to MXIbus cycles that are mapped into VXIbus cycles (inward cycles). When this bit is cleared, the A16 window applies to VXIbus cycles that are mapped out into MXIbus cycles (outward cycles). The complement of the defined range is mapped in the opposite direction. |



| A16EN | A16DIR | Window Applies to        |
|-------|--------|--------------------------|
| 0     | X      | Disabled                 |
| 1     | 0      | VXI cycles to MXI cycles |
|       | 1      | MXI cycles to VXI cycles |

12-11r/w 1

Reserved Bits

These bits are reserved and read back as ones. Write a zero when writing to these bits.

10-8r/w A16SIZE[2-0]

A16 Window Size Bits

This 3-bit number specifies the number of significant address bits in the A16BASE field that are compared when determining if an address is in the A16 window. The number of A16 addresses in the window is  $256 * 2^{8-i}$  where  $i$  is the value of A16SIZE[2-0]. The minimum size of an A16 window is 512 B and the maximum size is 48 KB (A16SIZE = 0).

7-0r/w A16BASE[7-0]

A16 Window Base Address Bits

These bits, in conjunction with the A16SIZE bits, define the base address of the A16 window for the VXI-MXI. The A16SIZE bits indicate the number of A16BASE bits that are most significant. A16BASE7 is the most significant and A16BASE0 is the least. The A16BASE bits that are not significant can be replaced with zeros to provide the base address of the A16 window.

A16 Window Example:

| A16BASE   | A16SIZE | A16 Addresses in Window |
|-----------|---------|-------------------------|
| any value | 0       | 0000 to BFFF            |
| 3F        | 1       | 0000 to 7FFF            |
| 80        | 2       | 8000 to BFFF            |
| 26        | 3       | 2000 to 3FFF            |
| 49        | 4       | 4000 to 4FFF            |
| 98        | 5       | 9800 to 9FFF            |
| 42        | 6       | 4000 to 43FF            |
| A1        | 7       | A000 to A1FF            |
| 55        | 0       | 0000 to BFFF            |
| 55        | 1       | 0000 to 7FFF            |
| 55        | 2       | 4000 to 7FFF            |
| 55        | 3       | 4000 to 5FFF            |
| 55        | 4       | 5000 to 5FFF            |
| 55        | 5       | 5000 to 57FF            |
| 55        | 6       | 5400 to 57FF            |
| 55        | 7       | 5400 to 55FF            |

The A16 Window Map Register has the following format when the CMODE bit is set:

|          |          |          |          |          |          |          |          |     |
|----------|----------|----------|----------|----------|----------|----------|----------|-----|
| 15       | 14       | 13       | 12       | 11       | 10       | 9        | 8        |     |
| A16HIGH7 | A16HIGH6 | A16HIGH5 | A16HIGH4 | A16HIGH3 | A16HIGH2 | A16HIGH1 | A16HIGH0 | R/W |
| 7        | 6        | 5        | 4        | 3        | 2        | 1        | 0        |     |
| A16LOW7  | A16LOW6  | A16LOW5  | A16LOW4  | A16LOW3  | A16LOW2  | A16LOW1  | A16LOW0  | R/W |

| Bit     | Mnemonic     | Description                                                                                                                         |
|---------|--------------|-------------------------------------------------------------------------------------------------------------------------------------|
| 15-8r/w | A16HIGH[7-0] | A16 Window Upper Bound Bits<br><br>These bits define the upper limit of the range of MXIbus A16 addresses that map into the VXIbus. |
| 7-0r/w  | A16LOW[7-0]  | A16 Window Lower Bound Bits<br><br>These bits define the lower limit of the range of MXIbus A16 addresses that map into the VXIbus. |

This register defines the range of MXIbus A16 addresses that map into the VXIbus where that range is:

$$A16HIGH > \text{range } A16LOW$$

The VXIbus A16 addresses mapped out of the VXI-MXI are the inverse of this range, that is, MXIbus A16 addresses greater than or equal to the A16HIGH value or less than the A16LOW value.

To map a consecutive range of VXIbus A16 addresses out of the VXI-MXI, the lower bound of the range must be placed in the A16HIGH field and the upper bound in the A16LOW field. In this case, the range of VXIbus A16 addresses mapped out of the VXI-MXI is:

$$A16LOW > \text{range } A16HIGH$$

The MXIbus A16 addresses mapped into the VXIbus are the inverse of this range, that is, VXIbus A16 addresses greater than or equal to the A16LOW value or less than the A16HIGH value.

The window is disabled whenever  $A16HIGH = A16LOW = 0$ . All VXIbus A16 addresses are mapped out to the MXIbus when:

$$FF \text{ (hex) } (A16HIGH = A16LOW) \ 80 \text{ (hex)}$$

All MXIbus A16 addresses are mapped into the VXIbus when:

$$7F \text{ (hex) } (A16HIGH = A16LOW) > 0$$

To accommodate 8-bit devices that write to this register, the window is not enabled until the lower byte of the register is written. Therefore, 8-bit devices should write the upper byte first, then the lower byte.

## A24 Window Map Register

VXIBus Address: Base Address + E (hex)

Attributes: Read/Write

This register defines the range of addresses in A24 space that are mapped into and out of the VXI-MXI through the MXIBus. These bits are cleared on a hard reset.

The CMODE bit in the MXIBus Control Register selects the format of this register. If the CMODE bit is 0 (default), a Base/Size window comparison is used to determine the range of addresses in the window. If the CMODE bit is set, an upper and lower bound is used to determine the range of addresses in the window.

The A24 Window Map Register has the following format when the CMODE bit is cleared:

|          |          |          |          |          |          |          |          |     |
|----------|----------|----------|----------|----------|----------|----------|----------|-----|
| 15       | 14       | 13       | 12       | 11       | 10       | 9        | 8        | R   |
| 0        | A24EN    | A24DIR   | 1        | 1        | A24SIZE2 | A24SIZE1 | A24SIZE0 |     |
| 0        | A24EN    | A24DIR   | 0        | 0        | A24SIZE2 | A24SIZE1 | A24SIZE0 |     |
|          |          |          |          |          |          |          |          | W   |
| 7        | 6        | 5        | 4        | 3        | 2        | 1        | 0        |     |
| A24BASE7 | A24BASE6 | A24BASE5 | A24BASE4 | A24BASE3 | A24BASE2 | A24BASE1 | A24BASE0 | R/W |

| Bit   | Mnemonic | Description                                                                                                                                                                                                                                                                                                                                           |
|-------|----------|-------------------------------------------------------------------------------------------------------------------------------------------------------------------------------------------------------------------------------------------------------------------------------------------------------------------------------------------------------|
| 15r/w | 0        | Reserved Bit<br><br>This bit is reserved and reads back as zero. Write a zero when writing to these bits.                                                                                                                                                                                                                                             |
| 14r/w | A24EN    | A24 Window Enable Bit<br><br>When this bit is set, the A24 mapping window is enabled. When this bit is cleared, the A24 mapping window is disabled.                                                                                                                                                                                                   |
| 13r/w | A24DIR   | A24 Window Direction Bit<br><br>When this bit is set, the A24 window applies to MXIBus cycles that are mapped into VXIBus cycles (inward cycles). When this bit is cleared, the A24 window applies to VXIBus cycles that are mapped out into MXIBus cycles (outward cycles). The complement of the defined range is mapped in the opposite direction. |

| A24EN | A24DIR | Window Applies to        |
|-------|--------|--------------------------|
| 0     | X      | Disabled                 |
| 1     | 0      | VXI cycles to MXI cycles |
|       | 1      | MXI cycles to VXI cycles |

12-11r/w 1

Reserved Bits

These bits are reserved and read back as ones. Write a zero when writing to these bits.

10-8r/w A24SIZE[2-0]

A24 Window Size Bits

This 3-bit number specifies the number of significant address bits in the A24BASE field that are compared when determining if an address is in the A24 window. The number of A24 addresses in the window is  $65536 * 2^{8-i}$  where  $i$  is the value of A24SIZE[2-0]. The minimum size of an A24 window is 128 KB, and the maximum size is 16 MB.

7-0r/w A24BASE[7-0]

A24 Window Base Address Bits

These bits, in conjunction with the A24SIZE bits, define the base address of the A24 window for the VXI-MXI. The A24SIZE bits indicate the number of A24BASE bits that are most significant. A24BASE7 is the most significant and A24BASE0 is the least. The A24BASE bits that are not significant can be replaced with zeros to provide the base address of the A24 window.

A24 Window Example:

| A24BASE   | A24SIZE | A24 Addresses in Window |
|-----------|---------|-------------------------|
| any value | 0       | 000000 to FFFFFFFF      |
| 4E        | 1       | 000000 to 7FFFFFFF      |
| A7        | 2       | 800000 to BFFFFFFF      |
| 35        | 3       | 200000 to 3FFFFFFF      |
| 6C        | 4       | 600000 to 6FFFFFFF      |
| 81        | 5       | 800000 to 87FFFFFFF     |
| B4        | 6       | B40000 to B7FFFFFFF     |
| 02        | 7       | 020000 to 03FFFFFFF     |
| 00        | 0       | 000000 to FFFFFFFF      |
| 00        | 1       | 000000 to 7FFFFFFF      |
| 00        | 2       | 000000 to 3FFFFFFF      |
| 00        | 3       | 000000 to 1FFFFFFF      |
| 00        | 4       | 000000 to 0FFFFFFF      |
| 00        | 5       | 000000 to 07FFFFFFF     |
| 00        | 6       | 000000 to 03FFFFFFF     |
| 00        | 7       | 000000 to 01FFFFFFF     |

The A24 Window Map Register has the following format when the CMODE bit is set:

|          |          |          |          |          |          |          |          |     |
|----------|----------|----------|----------|----------|----------|----------|----------|-----|
| 15       | 14       | 13       | 12       | 11       | 10       | 9        | 8        |     |
| A24HIGH7 | A24HIGH6 | A24HIGH5 | A24HIGH4 | A24HIGH3 | A24HIGH2 | A24HIGH1 | A24HIGH0 | R/W |
| 7        | 6        | 5        | 4        | 3        | 2        | 1        | 0        |     |
| A24LOW7  | A24LOW6  | A24LOW5  | A24LOW4  | A24LOW3  | A24LOW2  | A24LOW1  | A24LOW0  | R/W |

| Bit     | Mnemonic     | Description                                                                                                                    |
|---------|--------------|--------------------------------------------------------------------------------------------------------------------------------|
| 15-8r/w | A24HIGH[7-0] | A24 Window Upper Bound<br><br>These bits define the upper limit of the range of MXIbus A24 addresses that map into the VXIbus. |
| 7-0r/w  | A24LOW[7-0]  | A24 Window Lower Bound<br><br>These bits define the lower limit of the range of MXIbus A24 addresses that map into the VXIbus. |

This register defines the range of MXIbus A24 addresses that map into the VXIbus where that range is:

$$A24HIGH > \text{range } A24LOW$$

The VXIbus A24 addresses mapped out of the VXI-MXI are the inverse of this range, that is, MXIbus A24 addresses greater than or equal to the A24HIGH value or less than the A24LOW value.

To map a consecutive range of VXIbus A24 addresses out of the VXI-MXI, the lower bound of the range must be placed in the A24HIGH field and the upper bound in the A24LOW field. In this case the range of VXIbus A24 addresses mapped out of the VXI-MXI is:

$$A24LOW > \text{range } A24HIGH$$

The MXIbus A24 addresses mapped into the VXIbus are the inverse of this range, that is, VXIbus A24 addresses greater than or equal to the A24LOW value or less than the A24HIGH value.

The window is disabled whenever  $A24HIGH = A24LOW = 0$ . All VXIbus A24 addresses are mapped out to the MXIbus when:

$$FF \text{ (hex) } (A24HIGH = A24LOW) \ 80 \text{ (hex)}$$

All MXIbus A24 addresses are mapped into the VXIbus when:

$$7F \text{ (hex) } (A24HIGH = A24LOW) > 0$$

To accommodate 8-bit devices that write to this register, the window is not enabled until the lower byte of the register is written. Therefore, 8-bit devices should write the upper byte first, then the lower byte.

## A32 Window Map Register

VXIBus Address: Base Address + 10 (hex)

Attributes: Read/Write

This register defines the range of addresses in A32 space that are mapped into and out of the VXI-MXI through the MXIBus. These bits are cleared on a hard reset.

The CMODE bit in the MXIBus Control Register selects the format of this register. If the CMODE bit is 0 (default), a Base/Size window comparison is used to determine the range of addresses in the window. If the CMODE bit is set, an upper and lower bound is used to determine the range of addresses in the window.

The A32 Window Map Register has the following format when the CMODE bit is cleared:

|          |          |          |          |          |          |          |          |     |
|----------|----------|----------|----------|----------|----------|----------|----------|-----|
| 15       | 14       | 13       | 12       | 11       | 10       | 9        | 8        | R   |
| 0        | A32EN    | A32DIR   | 1        | 1        | A32SIZE2 | A32SIZE1 | A32SIZE0 |     |
| 0        | A32EN    | A32DIR   | 0        | 0        | A32SIZE2 | A32SIZE1 | A32SIZE0 |     |
|          |          |          |          |          |          |          |          | W   |
| 7        | 6        | 5        | 4        | 3        | 2        | 1        | 0        |     |
| A32BASE7 | A32BASE6 | A32BASE5 | A32BASE4 | A32BASE3 | A32BASE2 | A32BASE1 | A32BASE0 | R/W |

| Bit   | Mnemonic | Description                                                                                                                                                                                                                                                                                                                                           |
|-------|----------|-------------------------------------------------------------------------------------------------------------------------------------------------------------------------------------------------------------------------------------------------------------------------------------------------------------------------------------------------------|
| 15r/w | 0        | Reserved Bit<br><br>This bit is reserved and reads back as zero. Write a zero when writing to these bits.                                                                                                                                                                                                                                             |
| 14r/w | A32EN    | A32 Window Enable Bit<br><br>When this bit is set, the A32 mapping window is enabled. When this bit is cleared, the A32 mapping window is disabled.                                                                                                                                                                                                   |
| 13r/w | A32DIR   | A32 Window Direction Bit<br><br>When this bit is set, the A32 window applies to MXIBus cycles that are mapped into VXIBus cycles (inward cycles). When this bit is cleared, the A32 window applies to VXIBus cycles that are mapped out into MXIBus cycles (outward cycles). The complement of the defined range is mapped in the opposite direction. |



| A32EN | A32DIR | Window Applies to        |
|-------|--------|--------------------------|
| 0     | X      | Disabled                 |
| 1     | 0      | VXI cycles to MXI cycles |
|       | 1      | MXI cycles to VXI cycles |

12-11r/w 1

Reserved Bits

These bits are reserved and read back as ones. Write a zero when writing to these bits.

10-8r/w A32SIZE[2-0]

A32 Window Size Bits

This 3-bit number specifies the number of significant address bits in the A32BASE field that are compared when determining if an address is in the A32 window. The number of A32 addresses in the window is  $16,777,216 * 2^{8-i}$  where  $i$  is the value of A32SIZE[2-0]. The minimum size of an A32 window is 32 MB, and the maximum size is 4 GB.

7-0r/w A32BASE[7-0]

A32 Window Base Address Bits

These bits, in conjunction with the A32SIZE bits, define the base address of the A32 window for the VXI-MXI. The A32SIZE bits indicate the number of A32BASE bits that are most significant. A32BASE7 is the most significant and A32BASE0 is the least. The A32BASE bits that are not significant can be replaced with zeros to provide the base address of the A32 window.

A32 Window Example:

| <u>A32BASE</u> | <u>A32SIZE</u> | <u>A32 Addresses in Window</u> |
|----------------|----------------|--------------------------------|
| any value      | 0              | 00000000 to FFFFFFFF           |
| C8             | 1              | 80000000 to FFFFFFFF           |
| 3E             | 2              | 00000000 to 3FFFFFFF           |
| 49             | 3              | 40000000 to 5FFFFFFF           |
| 9A             | 4              | 90000000 to 9FFFFFFF           |
| 21             | 5              | 20000000 to 27FFFFFFF          |
| 75             | 6              | 74000000 to 77FFFFFFF          |
| 19             | 7              | 18000000 to 19FFFFFFF          |
| FF             | 0              | 00000000 to FFFFFFFF           |
| FF             | 1              | 80000000 to FFFFFFFF           |
| FF             | 2              | C0000000 to FFFFFFFF           |
| FF             | 3              | E0000000 to FFFFFFFF           |
| FF             | 4              | F0000000 to FFFFFFFF           |
| FF             | 5              | F8000000 to FFFFFFFF           |
| FF             | 6              | FC000000 to FFFFFFFF           |
| FF             | 7              | FE000000 to FFFFFFFF           |

The A32 Window Map Register has the following format when the CMODE bit is set:

|          |          |          |          |          |          |          |          |     |
|----------|----------|----------|----------|----------|----------|----------|----------|-----|
| 15       | 14       | 13       | 12       | 11       | 10       | 9        | 8        |     |
| A32HIGH7 | A32HIGH6 | A32HIGH5 | A32HIGH4 | A32HIGH3 | A32HIGH2 | A32HIGH1 | A32HIGH0 | R/W |
| 7        | 6        | 5        | 4        | 3        | 2        | 1        | 0        |     |
| A32LOW7  | A32LOW6  | A32LOW5  | A32LOW4  | A32LOW3  | A32LOW2  | A32LOW1  | A32LOW0  | R/W |

| Bit     | Mnemonic     | Description                                                                                                                    |
|---------|--------------|--------------------------------------------------------------------------------------------------------------------------------|
| 15-8r/w | A32HIGH[7-0] | A32 Window Upper Bound<br><br>These bits define the upper limit of the range of MXIbus A32 addresses that map into the VXIbus. |
| 7-0r/w  | A32LOW[7-0]  | A32 Window Lower Bound<br><br>These bits define the lower limit of the range of MXIbus A32 addresses that map into the VXIbus. |

This register defines the range of MXIbus A32 addresses that map into the VXIbus where that range is:

$$A32HIGH > \text{range } A32LOW$$

The VXIbus A32 addresses mapped out of the VXI-MXI are the inverse of this range, that is, MXIbus A32 addresses greater than or equal to the A32HIGH value or less than the A32LOW value.

To map a consecutive range of VXIbus A32 addresses out of the VXI-MXI, the lower bound of the range must be placed in the A32HIGH field and the upper bound in the A32LOW field. In this case, the range of VXIbus A32 addresses mapped out of the VXI-MXI is:

$$A32LOW > \text{range } A32HIGH$$

The MXIbus A32 addresses mapped into the VXIbus are the inverse of this range, that is, VXIbus A32 addresses greater than or equal to the A32LOW value or less than the A32HIGH value.

The window is disabled whenever  $A32HIGH = A32LOW = 0$ . All VXIbus A32 addresses are mapped out to the MXIbus when:

$$FF \text{ (hex)} \quad (A32HIGH = A32LOW) \quad 80 \text{ (hex)}$$

All MXIbus A32 addresses are mapped into the VXIbus when:

$$7F \text{ (hex)} \quad (A32HIGH = A32LOW) > 0$$

To accommodate 8-bit devices that write to this register, the window is not enabled until the lower byte of the register is written. Therefore, 8-bit devices should write the upper byte first, then the lower byte.

### INTX Interrupt Configuration Register (on VXI-MXIs with INTX only)

VXIbus Address: Base Address + 12 (hex)

Attributes: Read/Write

|    |          |          |          |          |          |          |          |     |
|----|----------|----------|----------|----------|----------|----------|----------|-----|
| 15 | 14       | 13       | 12       | 11       | 10       | 9        | 8        |     |
| 0  | EINT7EN  | EINT6EN  | EINT5EN  | EINT4EN  | EINT3EN  | EINT2EN  | EINT1EN  | R/W |
| 7  | 6        | 5        | 4        | 3        | 2        | 1        | 0        |     |
| 0  | EINT7DIR | EINT6DIR | EINT5DIR | EINT4DIR | EINT3DIR | EINT2DIR | EINT1DIR | R/W |

This register on the INTX daughter card is used to configure the mapping of the seven VMEbus interrupts lines to and from the seven INTX interrupt lines.

| Bit     | Mnemonic     | Description                                                                                                                                                                                                                                                                                                                                                                                                                                              |
|---------|--------------|----------------------------------------------------------------------------------------------------------------------------------------------------------------------------------------------------------------------------------------------------------------------------------------------------------------------------------------------------------------------------------------------------------------------------------------------------------|
| 15,7r/w | 0            | Zero Bits<br><br>These bits read back as zero to indicate that this register contains the extended interrupt mapping bits. Writes to these bits have no effect.                                                                                                                                                                                                                                                                                          |
| 14-8r/w | EINT[7-1]EN  | Extended Interrupt Enable Bits<br><br>Setting these bits individually enables the corresponding VMEbus IRQ lines to drive or receive the corresponding INTX interrupt line. The corresponding EINTDIR bits select whether the INTX interrupt line is driven or received by the VMEbus IRQ line. These bits are cleared on a hard reset.                                                                                                                  |
| 6-0r/w  | EINT[7-1]DIR | Extended Interrupt Direction Bits<br><br>When the corresponding EINT <sub>x</sub> EN bits are clear, these bits have no meaning. When the corresponding EINT <sub>x</sub> EN bits are set, these bits control the routing of the INTX IRQ signals. When EINT <sub>x</sub> DIR is clear, the corresponding VMEbus IRQ line drives the INTX IRQ line. If the EINT <sub>x</sub> DIR bit is set, the INTX IRQ line drives the corresponding VMEbus IRQ line. |

| EINT <sub>x</sub> EN | EINT <sub>x</sub> DIR | Routing                   |
|----------------------|-----------------------|---------------------------|
| 0                    | X                     | Disabled                  |
| 1                    | 0                     | VME IRQ X drives INTX IRQ |
|                      | 1                     | INTX IRQ drives VME IRQ X |

## INTX Trigger Configuration Register (on VXI-MXIs with INTX only)

VXIbus Address: Base Address + 14 (hex)

Attributes: Read/Write

|          |          |          |          |          |          |          |          |     |
|----------|----------|----------|----------|----------|----------|----------|----------|-----|
| 15       | 14       | 13       | 12       | 11       | 10       | 9        | 8        |     |
| ETRG7EN  | ETRG6EN  | ETRG5EN  | ETRG4EN  | ETRG3EN  | ETRG2EN  | ETRG1EN  | ETRG0EN  | R/W |
| 7        | 6        | 5        | 4        | 3        | 2        | 1        | 0        |     |
| ETRG7DIR | ETRG6DIR | ETRG5DIR | ETRG4DIR | ETRG3DIR | ETRG2DIR | ETRG1DIR | ETRG0DIR | R/W |

This register on the INTX daughter card is used to configure the mapping of the eight VXIbus TTL trigger lines to and from the eight INTX trigger lines.

|            |                 |                    |
|------------|-----------------|--------------------|
| <b>Bit</b> | <b>Mnemonic</b> | <b>Description</b> |
|------------|-----------------|--------------------|

|         |             |                              |
|---------|-------------|------------------------------|
| 15-8r/w | ETRG[7-0]EN | Extended Trigger Enable Bits |
|---------|-------------|------------------------------|

Setting these bits individually enables the corresponding VXIbus TTL trigger lines to be mapped to the corresponding INTX trigger lines, as specified by the corresponding ETRG<sub>x</sub>DIR bits. Clearing these bits disables the mapping of the trigger lines to the INTX trigger lines. These bits are cleared on a hard reset.

|        |              |                                 |
|--------|--------------|---------------------------------|
| 7-0r/w | ETRG[7-0]DIR | Extended Trigger Direction Bits |
|--------|--------------|---------------------------------|

When the corresponding ETRG<sub>x</sub>EN bits are set, these bits control the routing of the INTX trigger lines. When ETRG<sub>x</sub>DIR is clear, the corresponding VXIbus TTL trigger line drives the INTX trigger line. If the ETRG<sub>x</sub>DIR bit is set, the INTX trigger drives the corresponding VXIbus TTL trigger line.

| ETRG <sub>x</sub> EN | ETRG <sub>x</sub> DIR | Routing                                                |
|----------------------|-----------------------|--------------------------------------------------------|
| 0                    | X                     | Disabled                                               |
| 1                    | 0                     | VXI trigger <i>X</i> drives INTX trigger line <i>X</i> |
| 1                    | 1                     | INTX trigger line <i>X</i> drives VXI trigger <i>X</i> |

### INTX Utility Configuration Register (on VXI-MXIs with INTX only)

VXIbus Address: Base Address + 18 (hex)

Attributes: Read/Write

|    |    |          |           |          |            |          |           |     |
|----|----|----------|-----------|----------|------------|----------|-----------|-----|
| 15 | 14 | 13       | 12        | 11       | 10         | 9        | 8         | R   |
| 0  | 1  | 1        | 0         | 1        | 1          | 1        | 1         |     |
| 0  | 0  | 0        | 0         | 0        | 0          | 0        | 0         |     |
| 7  | 6  | 5        | 4         | 3        | 2          | 1        | 0         | W   |
| 1  | 1  | ACFAILIN | ACFAILOUT | SYSFILIN | SYSFAILOUT | SYSRSTIN | SYSRSTOUT | R/W |

This register on the INTX daughter card is used to configure the mapping of the three VMEbus reset signals to and from the three corresponding INTX reset signals.

| Bit                | Mnemonic | Description                                                                                                                                                                                  |
|--------------------|----------|----------------------------------------------------------------------------------------------------------------------------------------------------------------------------------------------|
| 15-12w,<br>11-6r/w | 1        | Reserved Bits<br><br>These bits are reserved and read back as ones. Write zeros to these bits when writing to this register.                                                                 |
| 15r                | 0        | Extended TTL Trigger Line Support<br><br>This bit is set in hardware to zero to indicate that the INTX daughter card supports the Trigger Configuration register.                            |
| 14r                | 1        | Extended P3 ECL Trigger Line Support<br><br>This bit is set in hardware to one to indicate that the INTX daughter card does not support external routing of the VXIbus P3 ECL trigger lines. |
| 13r                | 1        | Extended P2 ECL Trigger Line Support<br><br>This bit is set in hardware to one to indicate that the INTX daughter card does not support external routing of the VXIbus P2 ECL trigger lines. |
| 12r                | 0        | Extended Utility Line Support<br><br>This bit is set in hardware to zero to indicate that the INTX daughter card supports this Utility Configuration register.                               |

|      |            |                               |                                                                                                                                                                                                                                        |
|------|------------|-------------------------------|----------------------------------------------------------------------------------------------------------------------------------------------------------------------------------------------------------------------------------------|
| 5r/w | ACFAILIN   | Extended ACFAIL Inward Bit    | <p>Setting this bit enables the INTX ACFAIL line to be mapped into the VMEbus ACFAIL line. Clearing this bit disables the mapping of the INTX ACFAIL line onto the VMEbus ACFAIL line. This bit is cleared on power-up.</p>            |
| 4r/w | ACFAILOUT  | Extended ACFAIL Outward Bit   | <p>Setting this bit enables the VMEbus ACFAIL line to be mapped out onto the INTX ACFAIL line. Clearing this bit disables the mapping of the ACFAIL line onto the INTX ACFAIL line. This bit is cleared on power-up.</p>               |
| 3r/w | SYSFAILIN  | Extended SYSFAIL Inward Bit   | <p>Setting this bit enables the INTX SYSFAIL line to be mapped in onto the VMEbus SYSFAIL line. Clearing this bit disables the mapping of the INTX SYSFAIL line onto the VMEbus SYSFAIL line. This bit is cleared on power-up.</p>     |
| 2r/w | SYSFAILOUT | Extended SYSFAIL Outward Bit  | <p>Setting this bit enables the VMEbus SYSFAIL line to be mapped out onto the INTX SYSFAIL line. Clearing this bit disables the mapping of the SYSFAIL line onto the INTX SYSFAIL line. This bit is cleared on power-up.</p>           |
| 1r/w | SYSRSTIN   | Extended SYSRESET Inward Bit  | <p>Setting this bit enables the INTX SYSRESET line to be mapped in onto the VMEbus SYSRESET line. Clearing this bit disables the mapping of the INTX SYSRESET line onto the VMEbus SYSRESET line. This bit is cleared on power-up.</p> |
| 0r/w | SYSRSTOUT  | Extended SYSRESET Outward Bit | <p>Setting this bit enables the VMEbus SYSRESET line to be mapped out onto the INTX SYSRESET line. Clearing this bit disables the mapping of the SYSRESET line onto the INTX SYSRESET line. This bit is cleared on power-up.</p>       |

### Subclass Register

VXIbus Address: Base Address + 1E (hex)

Attributes: Read only

|          |    |    |    |    |    |   |   |   |   |   |   |   |   |   |   |   |
|----------|----|----|----|----|----|---|---|---|---|---|---|---|---|---|---|---|
| 15       | 14 | 13 | 12 | 11 | 10 | 9 | 8 | 7 | 6 | 5 | 4 | 3 | 2 | 1 | 0 | R |
| 1        | 1  | 1  | 1  | 1  | 1  | 1 | 1 | 1 | 1 | 1 | 1 | 1 | 1 | 0 | 0 |   |
| SUBCLASS |    |    |    |    |    |   |   |   |   |   |   |   |   |   |   |   |

These bits define the subclass of a VXIbus extended device. The VXI-MXI is a VXIbus Mainframe Extender. Such devices are assigned the subclass code hex FFFC. Hard and soft resets have no effect on this register.

| Bit   | Mnemonic | Description           |
|-------|----------|-----------------------|
| 15-0r | SUBCLASS | Manufacturer Subclass |

These bits indicate the subclass code for the VXI-MXI. These bits are configured in hardware as hex FFFC.



## MXIbus Defined Registers

### MXIbus Status/Control Register

VXIbus Address: Base Address + 20 (hex)

Attributes: Read/Write

|         |           |           |             |           |         |           |         |   |
|---------|-----------|-----------|-------------|-----------|---------|-----------|---------|---|
| 15      | 14        | 13        | 12          | 11        | 10      | 9         | 8       | R |
| RMWMODE | CMODE     | 1         | 1           | MXSCTO    | INTLCK  | DSYSFAIL  | FAIR    |   |
| RMWMODE | CMODE     | ECL1EN    | ECL1DIR     | ECL0EN    | ECL0DIR | DSYSFAIL  | DSYSRST |   |
|         |           |           |             |           |         |           |         | W |
| 7       | 6         | 5         | 4           | 3         | 2       | 1         | 0       | R |
| MXISC   | MXTRIGINT | MXSRSTINT | MXACFAILINT | LNGMXSCTO | MXBERR  | MXSYSFINT | PARERR  |   |
| 0       | MXTRIGEN  | MXSRSTEN  | MXACFAILEN  | LNGMXSCTO | BOFFCLR | 0         | 0       |   |
|         |           |           |             |           |         |           |         | W |

This register contains status and control bits for various types of MXIbus operators.

| Bit | Mnemonic | Description |
|-----|----------|-------------|
|-----|----------|-------------|

|       |         |                                   |
|-------|---------|-----------------------------------|
| 15r/w | RMWMODE | Read/Modify Write Select Mode Bit |
|-------|---------|-----------------------------------|

This bit, along with the MXIbus Address Modifiers, selects how the VXI-MXI will treat a MXIbus cycle when the MXIbus Address Strobe is held low for multiple data transfers. This bit is cleared on hard and soft resets.

If the MXIbus address modifiers label the transfer for block mode, the MXIbus block-mode transfer is converted to a VMEbus block-mode transfer irrespective of the RMWMODE bit.

If this bit is cleared and the MXIbus address modifiers do not label the transfer for block mode, the MXIbus cycle is interpreted as a RMW (Read/Modify/Write) cycle, which is then converted into a VMEbus RMW cycle.

If this bit is set and the MXIbus address modifiers do not label the transfer for block mode, the MXIbus cycle is interpreted as a block transfer and is converted into single transfer VMEbus accesses. This mode should be used when transferring large amounts of data with MXIbus block mode to a VMEbus device that does not support block mode.

The following table summarizes the RMWMODE function.

| <b>MXI Address Modifiers</b> | <b>RMWMODE Bit</b> | <b>Routing</b>                       |
|------------------------------|--------------------|--------------------------------------|
| Block                        | X                  | MXIbus block to VMEbus block         |
| Non-Block                    | 0                  | MXIbus RMW cycle to VMEbus RMW cycle |
|                              | 1                  | MXIbus block to VMEbus single cycle  |

14r/w      CMODE      Comparison Mode Bit

This bit selects the range comparison mode for the logical address, A16, A24, and A32 Window Mapping Registers. If CMODE is cleared, a Base/Size range comparison is used to determine the range of addresses in the windows. If CMODE is set, an upper and lower bound is used to determine the range of addresses in the windows. This bit is cleared on hard and soft resets.

13-12r, 1  
7w,  
1-0w      Reserved Bits

These bits are reserved and read back as ones. Write a zero when writing to these bits.

13w      ECL1EN      ECL Trigger 1 Enable Bit

Setting this bit enables the ECL Trigger line 1 to be mapped to the Trigger Out SMB connector or from the Trigger In SMB connector on the front panel, as specified by the ECL1DIR bit. Clearing this bit disables the mapping of ECL Trigger Line 1 to the front panel SMB connectors. This bit is cleared on a hard reset.

12w      ECL1DIR      ECL Trigger Line 1 Direction Bit

If the ECL1EN bit is clear, this bit has no meaning. If ECL1EN is set, this bit controls the routing of ECL trigger line 1.

If this bit is set, ECL trigger line 1 is driven by the signal received on the front panel Trigger In SMB connector. If this bit is clear, ECL trigger line 1 is driven out of the mainframe through the Trigger Out SMB on the front panel. This bit is cleared on a hard reset.

| <b>ECLxEN</b> | <b>ECLxDIR</b> | <b>Routing</b>                         |
|---------------|----------------|----------------------------------------|
| 0             | X              | Disabled                               |
| 1             | 0              | ECL Trigger Line X drives TRIG OUT SMB |
|               | 1              | TRIG IN SMB drives ECL Trigger Line X  |

|     |         |                                                                                                                                                                                                                                                                                                                                                                                                |
|-----|---------|------------------------------------------------------------------------------------------------------------------------------------------------------------------------------------------------------------------------------------------------------------------------------------------------------------------------------------------------------------------------------------------------|
| 11r | MXSCTO  | MXIbus System Controller Timeout Status Bit                                                                                                                                                                                                                                                                                                                                                    |
|     |         | If this VXI-MXI is the MXIbus System Controller, this bit is set if the VXI-MXI sent a MXIbus BERR on the last MXIbus transfer in response to a MXIbus System Controller Timeout. This bit is cleared when this register is read and on hard and soft resets.                                                                                                                                  |
| 11w | ECL0EN  | ECL Trigger 0 Enable Bit                                                                                                                                                                                                                                                                                                                                                                       |
|     |         | Setting this bit enables the ECL Trigger line 0 to be mapped to the Trigger Out SMB connector or from the Trigger In SMB connector on the front panel, as specified by the ECL0DIR bit. Clearing this bit disables the mapping of ECL Trigger Line 0 to the front panel SMB connectors. This bit is cleared on a hard reset.                                                                   |
| 10r | INTLCK  | VXI-MXI Interlocked Bus Operation Status Bit                                                                                                                                                                                                                                                                                                                                                   |
|     |         | When this bit is set, the VXI-MXI is configured to operate in interlocked bus mode. This mode of operation prevents deadlocks by allowing only one master of the entire system (VXIbus and MXIbus) at any given time. When this bit is cleared, the VXI-MXI is configured to operate in normal mode. INTLCK is selected with slide switch S3. This bit is not affected by hard or soft resets. |
| 10w | ECL0DIR | ECL Trigger Line 0 Direction Bit                                                                                                                                                                                                                                                                                                                                                               |
|     |         | If the ECL0EN bit is clear, this bit has no meaning. If ECL0EN is set, this bit controls the routing of ECL trigger line 0.                                                                                                                                                                                                                                                                    |
|     |         | If this bit is set, ECL trigger line 0 is driven by the signal received on the front panel Trigger In SMB connector. If this bit is clear, ECL trigger line 0 is driven out of the mainframe through the Trigger Out SMB on the front panel. This bit is cleared on a hard reset.                                                                                                              |

| ECL <sub>x</sub> EN | ECL <sub>x</sub> DIR | Routing                                |
|---------------------|----------------------|----------------------------------------|
| 0                   | X                    | Disabled                               |
| 1                   | 0                    | ECL Trigger Line X drives TRIG OUT SMB |
|                     | 1                    | TRIG IN SMB drives ECL Trigger Line X  |

|      |          |                                                                                                                                                                                                   |
|------|----------|---------------------------------------------------------------------------------------------------------------------------------------------------------------------------------------------------|
| 9r/w | DSYSFAIL | Drive SYSFAIL Bit                                                                                                                                                                                 |
|      |          | When this bit is set, the VXI-MXI is driving the VXIbus SYSFAIL line active. When this bit is cleared, the VXI-MXI is not asserting the SYSFAIL line. This bit is cleared on hard and soft reset. |

|    |           |                                     |                                                                                                                                                                                                                                                                                             |
|----|-----------|-------------------------------------|---------------------------------------------------------------------------------------------------------------------------------------------------------------------------------------------------------------------------------------------------------------------------------------------|
| 8r | FAIR      | VXI-MXI Fairness Status Bit         | <p>When this bit is set, the VXI-MXI is configured as a fair MXIbus requester. If this bit is cleared, the VXI-MXI is configured as an unfair MXIbus requester. FAIR is selected with slide switch S2. This bit is not affected by hard or soft resets.</p>                                 |
| 8w | DSYSRST   | Drive SYSRESET line Bit             | <p>Setting this bit will cause the VXIbus SYSRESET line to pulse asserted for a minimum of 200 ms. This bit is automatically cleared after the assertion of SYSRESET.</p>                                                                                                                   |
| 7r | MXISC     | MXIbus System Controller Status Bit | <p>When this bit is set, the VXI-MXI is configured as the MXIbus System Controller. When this bit is cleared, the VXI-MXI is not configured as the MXIbus System Controller. MXISC is selected with slide switch S4. This bit is not affected by hard or soft resets.</p>                   |
| 6r | MXTRIGINT | MXIbus Trigger Interrupt Status Bit | <p>When this bit is set, the VXIbus Trigger Interrupt signal (TRIGINT in the Interrupt Status Register) is active and is being driven across the MXIbus IRQ line. When this bit is cleared, the TRIGINT signal is not driving the MXIbus IRQ line. This bit is cleared on a hard reset.</p> |
| 6w | MXTRIGEN  | MXIbus Trigger Interrupt Enable Bit | <p>Setting this bit enables the VXIbus Trigger Interrupt signal (TRIGINT in the Interrupt Status Register) to be driven across the MXIbus IRQ line. When this bit is cleared, the TRIGINT signal is not mapped to the MXIbus IRQ line. This bit is cleared on a hard reset.</p>             |
| 5r | MXSRSTINT | MXIbus SYSRESET Status Bit          | <p>When this bit is set, the VXIbus SYSRESET line is active and is being driven across the MXIbus IRQ line. When this bit is cleared, the SYSRESET signal is not driving the MXIbus IRQ line. This bit is cleared on a hard reset.</p>                                                      |
| 5w | MXSRSTEN  | MXIbus SYSRESET Enable Bit          | <p>Setting this bit enables the VXIbus SYSRESET line to be driven across the MXIbus IRQ line. When this bit is cleared, the VXIbus SYSRESET line is not mapped to the MXIbus IRQ line. This bit is cleared on a hard reset.</p>                                                             |

|      |                    |                                           |                                                                                                                                                                                                                                                                                                                                                                                                                                             |
|------|--------------------|-------------------------------------------|---------------------------------------------------------------------------------------------------------------------------------------------------------------------------------------------------------------------------------------------------------------------------------------------------------------------------------------------------------------------------------------------------------------------------------------------|
| 4r   | <b>MXACFAILINT</b> | MXIbus ACFAIL Status Bit                  | <p>When this bit is set, the VXIbus ACFAIL line is active and is being driven across the MXIbus IRQ line. When this bit is cleared, the ACFAIL signal is not driving the MXIbus IRQ line. This bit is cleared on a hard reset.</p>                                                                                                                                                                                                          |
| 4w   | <b>MXACFAILEN</b>  | MXIbus ACFAIL Enable Bit                  | <p>Setting this bit enables the VXIbus ACFAIL line to be driven across the MXIbus IRQ line. When this bit is cleared, the VXIbus ACFAIL line is not mapped to the MXIbus IRQ line. This bit is cleared on a hard reset.</p>                                                                                                                                                                                                                 |
| 3r/w | <b>LNGMXSCTO</b>   | Long MXIbus System Controller Timeout Bit | <p>When the VXI-MXI powers on, this bit is cleared and, if the VXI-MXI is the MXIbus System Controller, the MXIbus System Controller timeout is between 100 <math>\mu</math>s and 400 <math>\mu</math>s (selected by jumper W8). When this bit is set, a longer MXIbus System Controller timeout value is used (a value between 100 ms and 400 ms) if the VXI-MXI is the MXIbus System Controller. This bit is cleared on a hard reset.</p> |
| 2r   | <b>MXBERR</b>      | MXIbus Bus Error Bit                      | <p>If this bit is set, the VXI-MXI terminated the previous MXIbus transfer by driving the MXIbus BERR line. This bit is cleared on hard and soft reset and on successful MXIbus transfers.</p>                                                                                                                                                                                                                                              |
| 2w   | <b>BOFFCLR</b>     | Backoff Condition Clear Bit               | <p>Setting this bit clears the BACKOFF bit in the Interrupt Status Register. The BACKOFF condition occurs when a VMEbus transfer to the MXIbus could not complete because another MXIbus transfer directed to the VXI-MXI was already in progress. This condition is called deadlock.</p>                                                                                                                                                   |
| 1r   | <b>MXSYSFINT</b>   | MXIbus SYSFAIL Status Bit                 | <p>When this bit is set, the VXIbus SYSFAIL line is active and is being driven across the MXIbus IRQ line. The VXIbus SYSFAIL line is enabled to drive the MXIbus IRQ line with the SYSFOUT bit in the MXIbus IRQ Configuration Register. When this bit is cleared, the SYSFAIL signal is not driving the MXIbus IRQ line. This bit is cleared on a hard reset.</p>                                                                         |
| 0r   | <b>PARERR</b>      | Parity Error Bit                          | <p>If this bit is set, a MXIbus parity error occurred on either the address or the data portion of the last MXIbus transfer. This bit is cleared on hard and soft resets and on MXIbus transfers without a parity error.</p>                                                                                                                                                                                                                |

### MXIbus Lock Register

VXIbus Address: Base Address + 22 (hex)

Attributes: Read/Write

|    |    |    |    |    |    |   |        |   |
|----|----|----|----|----|----|---|--------|---|
| 15 | 14 | 13 | 12 | 11 | 10 | 9 | 8      | R |
| 1  | 1  | 1  | 1  | 1  | 1  | 1 | 1      |   |
| 0  | 0  | 0  | 0  | 0  | 0  | 0 | 0      |   |
|    |    |    |    |    |    |   |        | W |
| 7  | 6  | 5  | 4  | 3  | 2  | 1 | 0      | R |
| 1  | 1  | 1  | 1  | 1  | 1  | 1 | LOCKED |   |
| 0  | 0  | 0  | 0  | 0  | 0  | 0 | LOCKED |   |
|    |    |    |    |    |    |   |        | W |

The bit in this register performs differently depending on whether it was accessed by the VMEbus or the MXIbus. This register is cleared on hard and soft resets.

|            |                 |                    |
|------------|-----------------|--------------------|
| <b>Bit</b> | <b>Mnemonic</b> | <b>Description</b> |
|------------|-----------------|--------------------|

|         |   |               |
|---------|---|---------------|
| 15-1r/w | 1 | Reserved Bits |
|---------|---|---------------|

These bits are reserved and read back as ones. Write a zero when writing to these bits.

|      |        |                           |
|------|--------|---------------------------|
| 0r/w | LOCKED | Lock MXIbus or VXIbus Bit |
|------|--------|---------------------------|

When this bit is set by a VXIbus device, the MXIbus is locked by that device as soon as the MXIbus is won by the VXI-MXI. When the MXIbus is locked, indivisible operations to remote resources can be performed across the MXIbus. When this bit is set by a device from across the MXIbus, the VXIbus is locked by that device so that indivisible operations to local VXIbus resources can be performed from the MXIbus.

Similarly, when a VXIbus device reads this bit as a one, it indicates that the MXIbus is locked. When a MXIbus device reads this bit as a one, it indicates that the VXIbus is locked.

## MXIbus IRQ Configuration Register

VXibus Address: Base Address + 24 (hex)

Attributes: Read/Write

|         |          |          |          |          |          |          |          |     |
|---------|----------|----------|----------|----------|----------|----------|----------|-----|
| 15      | 14       | 13       | 12       | 11       | 10       | 9        | 8        |     |
| SYSFOUT | MIRQ7EN  | MIRQ6EN  | MIRQ5EN  | MIRQ4EN  | MIRQ3EN  | MIRQ2EN  | MIRQ1EN  | R/W |
| 7       | 6        | 5        | 4        | 3        | 2        | 1        | 0        |     |
| SYSFIN  | MIRQ7DIR | MIRQ6DIR | MIRQ5DIR | MIRQ4DIR | MIRQ3DIR | MIRQ2DIR | MIRQ1DIR | R/W |

This register either maps the MXIbus IRQ line onto a VMEbus IRQ line, or maps a VMEbus IRQ line onto the MXIbus IRQ line. These bits are cleared on a hard reset.

| Bit     | Mnemonic     | Description                                                                                                                                                                                                                                                                                                                                                                                                                                                                                                                                                                                                                   |
|---------|--------------|-------------------------------------------------------------------------------------------------------------------------------------------------------------------------------------------------------------------------------------------------------------------------------------------------------------------------------------------------------------------------------------------------------------------------------------------------------------------------------------------------------------------------------------------------------------------------------------------------------------------------------|
| 15r/w   | SYSFOUT      | <p>SYSFAIL Output Enable Bit</p> <p>Setting this bit enables the VXibus SYSFAIL line to be routed onto the MXIbus IRQ line. When this bit is cleared, the SYSFAIL line is not mapped to the MXIbus IRQ line.</p>                                                                                                                                                                                                                                                                                                                                                                                                              |
| 14-8r/w | MIRQ[7-1]EN  | <p>MXIbus IRQ Enable Bits</p> <p>Setting these bits individually enables the corresponding VMEbus IRQ lines to drive or receive the MXIbus IRQ interrupt line. The corresponding MIRQDIR bits select whether the MXIbus IRQ interrupt line is driven or received by the VMEbus IRQ line.</p>                                                                                                                                                                                                                                                                                                                                  |
| 7r/w    | SYSFIN       | <p>SYSFAIL Input Enable Bit</p> <p>Setting this bit enables the MXIbus IRQ line to be driven on the VMEbus SYSFAIL line. When this bit is cleared, the MXIbus IRQ line is not mapped onto the SYSFAIL line.</p>                                                                                                                                                                                                                                                                                                                                                                                                               |
| 6-0r/w  | MIRQ[7-1]DIR | <p>MXIbus IRQ Direction Bits</p> <p>When the corresponding MIRQ<sub>x</sub>EN bits are clear, these bits have no meaning.</p> <p>When the corresponding MIRQ<sub>x</sub>EN bits are set, these bits control the routing of the MXIbus IRQ signal. When MIRQ<sub>x</sub>DIR is clear, the corresponding VMEbus IRQ line drives the MXIbus IRQ line. If multiple VMEbus IRQ lines are enabled to drive the MXIbus IRQ line, the selected VMEbus IRQ lines are ORed together and the result drives the MXIbus IRQ line. If the MIRQ<sub>x</sub>DIR bit is set, the MXIbus IRQ line drives the corresponding VMEbus IRQ line.</p> |

| <b>MIRQxEN</b> | <b>MIRQxDIR</b> | <b>Routing</b>                  |
|----------------|-----------------|---------------------------------|
| 0              | X               | Disabled                        |
| 1              | 0               | VME IRQ <i>X</i> drives MXI IRQ |
|                | 1               | MXI IRQ drives VME IRQ <i>X</i> |



## Drive Triggers/Read LA Register

VXIbus Address: Base Address + 26 (hex)

Attributes: Read/Write

|        |        |        |        |        |        |         |         |     |
|--------|--------|--------|--------|--------|--------|---------|---------|-----|
| 15     | 14     | 13     | 12     | 11     | 10     | 9       | 8       |     |
| DTRIG7 | DTRIG6 | DTRIG5 | DTRIG4 | DTRIG3 | DTRIG2 | DTRIG1  | DTRIG0  | R/W |
| 7      | 6      | 5      | 4      | 3      | 2      | 1       | 0       | R   |
| LADD7  | LADD6  | LADD5  | LADD4  | LADD3  | LADD2  | LADD1   | LADD0   |     |
| 0      | 0      | 0      | 0      | 0      | PULSE  | DRVECL1 | DRVECL0 | W   |

This register provides the logical address of the VXI-MXI and the status of the eight TTL Trigger lines on the VXIbus. This register is also used to drive the TTL and ECL Trigger lines individually. The bits in this register are cleared on hard and soft resets.

| Bit     | Mnemonic   | Description                                                                                                                                                                                                                                                                                                                                                                                                                                                                                                                                                                                                                |
|---------|------------|----------------------------------------------------------------------------------------------------------------------------------------------------------------------------------------------------------------------------------------------------------------------------------------------------------------------------------------------------------------------------------------------------------------------------------------------------------------------------------------------------------------------------------------------------------------------------------------------------------------------------|
| 15-8r/w | DTRIG[7-0] | <p>Drive VXIbus Trigger Lines Bits</p> <p>Setting these bits asserts the corresponding VXIbus TTL Trigger line(s) after synchronizing the signal with the 10 MHz clock. Reading these bits returns the current status of the corresponding trigger lines.</p>                                                                                                                                                                                                                                                                                                                                                              |
| 7-0r    | LADD[7-0]  | <p>Logical Address Status Bits</p> <p>Reading these bits returns the logical address of this VXI-MXI. The logical address is selected with the DIP switch located at U46.</p>                                                                                                                                                                                                                                                                                                                                                                                                                                              |
| 7-3w    | 0          | <p>Reserved Bits</p> <p>Write a zero when writing to these bits.</p>                                                                                                                                                                                                                                                                                                                                                                                                                                                                                                                                                       |
| 2w      | PULSE      | <p>Pulse Selected Trigger Line Bit</p> <p>Writing a zero to this bit generates either a 100 ns active low pulse or an active level on the trigger line, as specified by the OTS[2-0] bits in the Trigger Mode Selection Register. Before another signal can be generated, a one must be written to this bit. To generate a stream of pulses, a zero should be written to this bit, immediately followed by a one. In terms of the START/STOP protocol, writing a zero to this register generates a START signal on the specified trigger line and writing a one generates a STOP signal on the specified trigger line.</p> |

|    |         |                                                                                                              |
|----|---------|--------------------------------------------------------------------------------------------------------------|
| 1w | DRVECL1 | Drive ECL Trigger Line 1 Bit                                                                                 |
|    |         | Setting this bit asserts the VXIbus ECL Trigger Line 1 after synchronizing the signal with the 10 MHz clock. |
| 0w | DRVECL0 | Drive ECL Trigger Line 0                                                                                     |
|    |         | Setting this bit asserts the VXIbus ECL Trigger Line 0 after synchronizing the signal with the 10 MHz clock. |

## Trigger Mode Selection Register

VXIbus Address: Base Address + 28 (hex)

Attributes: Read/Write

|          |          |      |      |        |         |        |        |   |
|----------|----------|------|------|--------|---------|--------|--------|---|
| 15       | 14       | 13   | 12   | 11     | 10      | 9      | 8      | R |
| 1        | 1        | 1    | 1    | 1      | 1       | 1      | 1      |   |
| OMS2     | OMS1     | OMS0 | ITS3 | ITS2   | ITS1    | ITS0   | ETOEN  |   |
|          |          |      |      |        |         |        |        | W |
| 7        | 6        | 5    | 4    | 3      | 2       | 1      | 0      | R |
| ECLSTAT1 | ECLSTAT0 | 1    | 1    | TRIGIN | TRIGOUT | ASINT* | SSINT* |   |
| OTS3     | OTS2     | OTS1 | OTS0 | ETRIG  | 0       | ASIE   | SSIE   |   |
|          |          |      |      |        |         |        |        | W |

This register configures the ECL and TTL Trigger lines for interrupt generation and trigger protocol generation. These bits are cleared on soft and hard resets.

| Bit                   | Mnemonic | Description                                                                                                                                             |
|-----------------------|----------|---------------------------------------------------------------------------------------------------------------------------------------------------------|
| 15-8r,<br>5-4r,<br>2w | 1        | Reserved Bits<br><br>These bits are reserved and read back as ones. Write a zero when writing to these bits.                                            |
| 15-13w                | OMS[2-0] | Output Trigger Mode Select Bits<br><br>These bits select which trigger protocol or signal is driven on the trigger line specified by the OTS[3-0] bits. |

| OMS2 | OMS1 | OMS0 | Trigger Output Mode              |
|------|------|------|----------------------------------|
| 0    | 0    | 0    | Disabled                         |
| 0    | 0    | 1    | Sync, Semi-Sync, or Async Source |
| 0    | 1    | 0    | Start-Stop Source                |
| 0    | 1    | 1    | Semi-Sync Acceptor               |
| 1    | 0    | 0    | Source from TRIG IN SMB          |
| 1    | 0    | 1    | Reserved                         |
| 1    | 1    | X    | Reserved                         |

When in Sync, Semi-Sync, or Async Source Mode, write a zero to the PULSE bit in the Drive Triggers Register to generate a pulse on the trigger line selected by the OTS[3-0] bits. You must write a one to the PULSE bit before another pulse can be generated.

In Start-Stop Source Mode, write a zero to the PULSE bit in the Drive Triggers Register to generate a Start signal on the trigger line selected by the OTS[3-0] bits. Writing a one to the PULSE bit generates a Stop signal.

When in the Semi-Sync Acceptor Mode, the ITS[3-0] bits select the trigger line that the acceptor protocol is responding to. The acceptor signal is driven onto the trigger line selected by the OTS[3-0] bits. Write to the ASACK register to clear the acceptor signal.

12-9w ITS[3-0]

## Input Trigger Select Bits

These bits select which VXIbus TTL or ECL trigger line is used to generate the synchronous and asynchronous trigger interrupts.

| ITS3 | ITS2 | ITS1 | ITS0 | Trigger Line       |
|------|------|------|------|--------------------|
| 0    | 0    | 0    | 0    | TTL Trigger Line 0 |
| 0    | 0    | 0    | 1    | TTL Trigger Line 1 |
| 0    | 0    | 1    | 0    | TTL Trigger Line 2 |
| 0    | 0    | 1    | 1    | TTL Trigger Line 3 |
| 0    | 1    | 0    | 0    | TTL Trigger Line 4 |
| 0    | 1    | 0    | 1    | TTL Trigger Line 5 |
| 0    | 1    | 1    | 0    | TTL Trigger Line 6 |
| 0    | 1    | 1    | 1    | TTL Trigger Line 7 |
| 1    | 0    | 0    | 0    | Reserved           |
| 1    | 0    | 0    | 1    | ECL Trigger Line 0 |
| 1    | 0    | 1    | 0    | ECL Trigger Line 1 |
| 1    | 0    | 1    | 1    | Reserved           |
| 1    | 1    | X    | X    | Reserved           |

8w ETOEN External Trigger Output Enable Bit

Setting this bit enables the OMS[2-0] modes to drive the selected trigger line to the TRIG OUT SMB connection.

7r ECLSTAT1 ECL Trigger Line 1 Status Bit

Reading this bit returns the current status of ECL Trigger Line 1.

7-4w OTS[3-0] Output Trigger Select Bits

These bits select which VXibus TTL or ECL trigger line is used to route the trigger signal specified by the OMS[2-0] bits.

| OTS3 | OTS2 | OTS1 | OTS0 | Trigger Line       |
|------|------|------|------|--------------------|
| 0    | 0    | 0    | 0    | TTL Trigger Line 0 |
| 0    | 0    | 0    | 1    | TTL Trigger Line 1 |
| 0    | 0    | 1    | 0    | TTL Trigger Line 2 |
| 0    | 0    | 1    | 1    | TTL Trigger Line 3 |
| 0    | 1    | 0    | 0    | TTL Trigger Line 4 |
| 0    | 1    | 0    | 1    | TTL Trigger Line 5 |
| 0    | 1    | 1    | 0    | TTL Trigger Line 6 |
| 0    | 1    | 1    | 1    | TTL Trigger Line 7 |
| 1    | 0    | 0    | 0    | ECL Trigger Line 0 |
| 1    | 0    | 0    | 1    | ECL Trigger Line 1 |
| 1    | 0    | 1    | X    | Reserved           |
| 1    | 1    | X    | X    | Reserved           |

6r ECLSTAT0 ECL Trigger Line 0 Status Bit

Reading this bit returns the current status of ECL Trigger Line 0.

3r TRIGIN Trigger Input Status Bit

If this bit is set, the signal input from the Trigger In SMB connector on the front panel is high. If this bit is cleared, that input signal is low.

|    |         |                                                                                                                                                                                                                                                                                                                                                                                                                                                                                                     |
|----|---------|-----------------------------------------------------------------------------------------------------------------------------------------------------------------------------------------------------------------------------------------------------------------------------------------------------------------------------------------------------------------------------------------------------------------------------------------------------------------------------------------------------|
| 3w | ETRIG   | <p>Enable Trigger Lines Bit</p> <p>When this bit is set, the protocols selected by the OMS[2-0] bits are enabled to drive the trigger line specified by the OTS[3-0] bits.</p>                                                                                                                                                                                                                                                                                                                      |
| 2r | TRIGOUT | <p>Trigger Output Status Bit</p> <p>If this bit is set, the trigger signal routed to the Trigger Out SMB connector on the front panel is high. If this bit is cleared, that trigger signal is low.</p>                                                                                                                                                                                                                                                                                              |
| 1r | ASINT*  | <p>Asynchronous Interrupt Status Bit</p> <p>If this bit is set, the trigger signal selected by the ITS[3-0] bits is monitored and, when the signal changes from unasserted to asserted (high to low), an interrupt request is generated and this bit is cleared. ASINT* is set again by writing to the Trigger Asynchronous Acknowledge Register. In terms of the asynchronous protocol, this bit is cleared after the acceptor has sent an acknowledge by asserting the selected trigger line.</p> |
| 1w | ASIE    | <p>Asynchronous Interrupt Enable Bit</p> <p>When this bit is set, an interrupt request is generated when the trigger line selected by the ITS[3-0] bits changes from unasserted to asserted (high to low).</p>                                                                                                                                                                                                                                                                                      |
| 0r | SSINT*  | <p>Synchronous Interrupt Status Bit</p> <p>If this bit is set, the trigger signal selected by the ITS[3-0] bits is monitored and, when the signal changes from asserted to unasserted (low to high), an interrupt request is generated and this bit is cleared. This bit is set again by writing to the Trigger Synchronous Acknowledge Register. In terms of the semi-synchronous protocol, this bit is cleared after all the acceptors have unasserted the trigger line.</p>                      |
| 0w | SSIE    | <p>Synchronous Interrupt Enable Bit</p> <p>When this bit is set, an interrupt request is generated when the trigger line selected by the ITS[3-0] bits changes from asserted to unasserted (low to high).</p>                                                                                                                                                                                                                                                                                       |

## Interrupt Status/Control Register

VXIBus Address: Base Address + 2A (hex)

Attributes: Read/Write

|            |       |       |           |         |           |           |          |   |
|------------|-------|-------|-----------|---------|-----------|-----------|----------|---|
| 15         | 14    | 13    | 12        | 11      | 10        | 9         | 8        | R |
| LINT3      | LINT2 | LINT1 | ACFAILINT | BKOFF   | TRIGINT   | SYSFAIL   | ACFAIL   |   |
| LINT3      | LINT2 | LINT1 | 0         | BKOFFIE | TRIGINTIE | SYSFAILIE | ACFAILIE | W |
| 7          | 6     | 5     | 4         | 3       | 2         | 1         | 0        | R |
| SYSFAILINT | IRQ7  | IRQ6  | IRQ5      | IRQ4    | IRQ3      | IRQ2      | IRQ1     |   |
| 0          | DIRQ7 | DIRQ6 | DIRQ5     | DIRQ4   | DIRQ3     | DIRQ2     | DIRQ1    | W |

This register is used to configure local interrupts, drive the VMEbus IRQ lines individually, and reflect the status of the VMEbus IRQ lines. The upper byte (bits 15 through 8) of this register is cleared on a hard reset. The lower byte (bits 7 through 0) is cleared on hard and soft resets.

| Bit | Mnemonic | Description |
|-----|----------|-------------|
|-----|----------|-------------|

|          |           |                           |
|----------|-----------|---------------------------|
| 15-13r/w | LINT[3-1] | Local Interrupt Line Bits |
|----------|-----------|---------------------------|

These bits select the VMEbus interrupt request line onto which the local VXI-MXI interrupts are routed. The local interrupts are BKOFF, TRIGINT, ACFAIL, and SYSFAIL.

| LINT3 | LINT2 | LINT1 | VMEbus Interrupt Request Line |
|-------|-------|-------|-------------------------------|
| 0     | 0     | 0     | Local Interrupt Disabled      |
| 0     | 0     | 1     | Interrupt Request Line 1      |
| 0     | 1     | 0     | Interrupt Request Line 2      |
| 0     | 1     | 1     | Interrupt Request Line 3      |
| 1     | 0     | 0     | Interrupt Request Line 4      |
| 1     | 0     | 1     | Interrupt Request Line 5      |
| 1     | 1     | 0     | Interrupt Request Line 6      |
| 1     | 1     | 1     | Interrupt Request Line 7      |

|            |           |                                                                                                                                                                                                                                                                                                                                                                                                                                        |
|------------|-----------|----------------------------------------------------------------------------------------------------------------------------------------------------------------------------------------------------------------------------------------------------------------------------------------------------------------------------------------------------------------------------------------------------------------------------------------|
| 12r        | ACFAILINT | VXibus ACFAIL Interrupt Status Bit                                                                                                                                                                                                                                                                                                                                                                                                     |
|            |           | If this bit is set, an interrupt is currently driven on the VMEbus interrupt line selected by the LINT[3-1] bits because the VXibus ACFAIL line became set. This bit is cleared on an interrupt acknowledge cycle for the interrupt level selected by the LINT [3-1] bits.                                                                                                                                                             |
| 12w,<br>7w | 0         | Reserved Bits                                                                                                                                                                                                                                                                                                                                                                                                                          |
|            |           | These bits are reserved. Write a zero when writing to these bits.                                                                                                                                                                                                                                                                                                                                                                      |
| 11r        | BKOFF     | Backoff Status Bit                                                                                                                                                                                                                                                                                                                                                                                                                     |
|            |           | This bit is set if a VMEbus transfer to or from the MXibus could not complete because another MXibus transfer to this module was already in progress; in other words, a deadlock condition occurred. The interrupt generated by this bit is cleared on an interrupt acknowledge cycle for the interrupt level selected by the LINT [3-1] bits. This bit is cleared by writing to the BOFFCLR bit in the MXibus Control Register.       |
| 11w        | BKOFFIE   | Backoff Interrupt Enable Bit                                                                                                                                                                                                                                                                                                                                                                                                           |
|            |           | If this bit is set, an interrupt is generated on the VMEbus interrupt line selected by the LINT[3-1] bits when a VMEbus Backoff condition occurs.                                                                                                                                                                                                                                                                                      |
| 10r        | TRIGINT   | Trigger Interrupt Bit                                                                                                                                                                                                                                                                                                                                                                                                                  |
|            |           | This bit is set when either the ASINT* or SSINT* bit is cleared in the Trigger Mode Selection Register. These bits become set and generate an interrupt when the trigger signal selected by the ITS[3-0] bits changes state. The interrupt generated by this bit is cleared on an interrupt acknowledge cycle for the interrupt level selected by the LINT[3-1] bits. This bit is cleared when the ASACK and SSACK Registers are read. |
| 10w        | TRIGINTIE | Trigger Interrupt Enable Bit                                                                                                                                                                                                                                                                                                                                                                                                           |
|            |           | If this bit is set, an interrupt is generated on the VMEbus interrupt line selected by the LINT[3-1] bits when an ASINT* or SSINT* interrupt occurs.                                                                                                                                                                                                                                                                                   |
| 9r         | SYSFAIL   | VXibus SYSFAIL Status Bit                                                                                                                                                                                                                                                                                                                                                                                                              |
|            |           | This bit reflects the status of the VXibus SYSFAIL line.                                                                                                                                                                                                                                                                                                                                                                               |
| 9w         | SYSFAILIE | VXibus SYSFAIL Interrupt Enable Bit                                                                                                                                                                                                                                                                                                                                                                                                    |
|            |           | If this bit is set, an interrupt is generated on the VMEbus interrupt line selected by the LINT[3-1] bits when the VXibus SYSFAIL line is set.                                                                                                                                                                                                                                                                                         |



|      |            |                                                                                                                                                                                                                                                                            |
|------|------------|----------------------------------------------------------------------------------------------------------------------------------------------------------------------------------------------------------------------------------------------------------------------------|
| 8r   | ACFAIL     | VXIbus ACFAIL Status Bit                                                                                                                                                                                                                                                   |
|      |            | This bit reflects the status of the VXIbus ACFAIL line.                                                                                                                                                                                                                    |
| 8w   | ACFAILIE   | VXIbus ACFAIL Interrupt Enable Bit                                                                                                                                                                                                                                         |
|      |            | If this bit is set, an interrupt is generated on the VMEbus interrupt line selected by the LINT[3-1] bits when the VXIbus ACFAIL line is set.                                                                                                                              |
| 7r   | SYSFAILINT | VXIbus SYSFAIL Interrupt Status Bit                                                                                                                                                                                                                                        |
|      |            | If this bit is set, an interrupt is currently driven on the VMEbus interrupt line selected by the LINT[3-1] bits because the VXIbus SYSFAIL line became set. This bit is cleared on an interrupt acknowledge cycle for the interrupt level selected by the LINT[3-1] bits. |
| 6-0r | IRQ[7-1]   | IRQ Status Bit                                                                                                                                                                                                                                                             |
|      |            | These bits reflect the status of the corresponding VMEbus IRQ lines.                                                                                                                                                                                                       |
| 6-0w | DIRQ[7-1]  | Drive IRQ Line Bits                                                                                                                                                                                                                                                        |
|      |            | Setting these bits drives the corresponding VMEbus IRQ lines. When the VMEbus IRQ line driven by one of these bits is serviced by an VMEbus interrupt acknowledge cycle, the corresponding bit is cleared.                                                                 |

**Status/ID Register**

VXIbus Address: Base Address + 2C (hex)

Attributes: Read/Write

|     |     |     |     |     |     |    |    |     |
|-----|-----|-----|-----|-----|-----|----|----|-----|
| 15  | 14  | 13  | 12  | 11  | 10  | 9  | 8  |     |
| S15 | S14 | S13 | S12 | S11 | S10 | S9 | S8 | R/W |
| 7   | 6   | 5   | 4   | 3   | 2   | 1  | 0  |     |
| S7  | S6  | S5  | S4  | S3  | S2  | S1 | S0 | R/W |

This register contains the Status/ID value returned to the Interrupt Handler acknowledging an interrupt request driven by one of the DIRQ bits in the Interrupt Control Register.

| Bit     | Mnemonic | Description     |
|---------|----------|-----------------|
| 15-0r/w | S[15-0]  | Status/ID Value |

This 16-bit value is the Status/ID data that is returned during a VMEbus interrupt acknowledge cycle used to handle a VMEbus interrupt request driven by one of the DIRQ bits in the Interrupt Control Register. This register powers up to an indeterminate value and is not cleared on either a hard or soft reset.

## MXIbus Trigger Configuration Register

VXIbus Address: Base Address + 2E (hex)

Attributes: Read/Write

|          |          |          |          |          |          |          |          |     |
|----------|----------|----------|----------|----------|----------|----------|----------|-----|
| 15       | 14       | 13       | 12       | 11       | 10       | 9        | 8        |     |
| TRIG7EN  | TRIG6EN  | TRIG5EN  | TRIG4EN  | TRIG3EN  | TRIG2EN  | TRIG1EN  | TRIG0EN  | R/W |
| 7        | 6        | 5        | 4        | 3        | 2        | 1        | 0        |     |
| TRIG7DIR | TRIG6DIR | TRIG5DIR | TRIG4DIR | TRIG3DIR | TRIG2DIR | TRIG1DIR | TRIG0DIR | R/W |

This register maps the VXIbus TTL Trigger lines to and from the Trigger In and Trigger Out SMB connectors on the front panel of the VXI-MXI. These bits are cleared on a hard reset.

| Bit | Mnemonic | Description |
|-----|----------|-------------|
|-----|----------|-------------|

|         |             |                     |
|---------|-------------|---------------------|
| 15-8r/w | TRIG[7-0]EN | Trigger Enable Bits |
|---------|-------------|---------------------|

Setting these bits individually enable the corresponding VXIbus TTL trigger lines to be mapped to the Trigger Out SMB connector or from the Trigger In SMB connector on the front panel as specified by the corresponding TRIG<sub>x</sub>DIR bit. Clearing these bits disables the mapping of the trigger lines to the front panel SMB connectors.

|        |              |                        |
|--------|--------------|------------------------|
| 7-0r/w | TRIG[7-0]DIR | Trigger Direction Bits |
|--------|--------------|------------------------|

If the TRIG<sub>x</sub>EN bit is clear, this bit has no meaning. If TRIG<sub>x</sub>EN is set, this bit controls the routing of TTL trigger lines 7 to 0.

If this bit is set, TTL trigger lines 7 to 0 are driven by the signal received on the front panel Trigger In SMB connector. If this bit is clear, TTL trigger lines 7 to 0 are driven out of the mainframe through the Trigger Out SMB on the front panel. This bit is cleared on a hard reset.

| TRIG <sub>x</sub> EN | TRIG <sub>x</sub> DIR | Routing                        |
|----------------------|-----------------------|--------------------------------|
| 0                    | X                     | Disabled                       |
| 1                    | 0                     | TTL TRIG X drives TRIG OUT SMB |
|                      | 1                     | TRIG IN SMB drives TTL TRIG X  |

### Trigger Synchronous Acknowledge Register

VXIbus Address: Base Address + 34 (hex)

Attributes: Write Only

|    |    |    |    |    |    |   |                |
|----|----|----|----|----|----|---|----------------|
| 15 | 14 | 13 | 12 | 11 | 10 | 9 | 8              |
| X  | X  | X  | X  | X  | X  | X | X              |
| 7  | 6  | 5  | 4  | 3  | 2  | 1 | 0 <sup>W</sup> |
| X  | X  | X  | X  | X  | X  | X | X              |

W

Writing any value to this register reinitializes the SSINT\* bit in the Trigger Mode Selection Register.

### Trigger Asynchronous Acknowledge Register

VXIbus Address: Base Address + 36 (hex)

Attributes: Write Only

|    |    |    |    |    |    |   |                |
|----|----|----|----|----|----|---|----------------|
| 15 | 14 | 13 | 12 | 11 | 10 | 9 | 8              |
| X  | X  | X  | X  | X  | X  | X | X              |
| 7  | 6  | 5  | 4  | 3  | 2  | 1 | 0 <sup>W</sup> |
| X  | X  | X  | X  | X  | X  | X | X              |

W

Writing any value to this register reinitializes the ASINT\* bit in the Trigger Mode Selection Register.

## IRQ Acknowledge Registers

VXibus Address:     Base Address + 32 (hex) for IRQ1\*  
                           Base Address + 34 (hex) for IRQ2\*  
                           Base Address + 36 (hex) for IRQ3\*  
                           Base Address + 38 (hex) for IRQ4\*  
                           Base Address + 3A (hex) for IRQ5\*  
                           Base Address + 3C (hex) for IRQ6\*  
                           Base Address + 3E (hex) for IRQ7\*

Attributes:           Read Only

|     |     |     |     |     |     |    |    |   |
|-----|-----|-----|-----|-----|-----|----|----|---|
| 15  | 14  | 13  | 12  | 11  | 10  | 9  | 8  | R |
| I15 | I14 | I13 | I12 | I11 | I10 | I9 | I8 |   |
| 7   | 6   | 5   | 4   | 3   | 2   | 1  | 0  | R |
| I7  | I6  | I5  | I4  | I3  | I2  | I1 | I0 |   |

These registers generate a VMEbus interrupt acknowledge cycle when they are read from a MXibus device.

| Bit | Mnemonic | Description |
|-----|----------|-------------|
|-----|----------|-------------|

|       |         |                                 |
|-------|---------|---------------------------------|
| 15-0r | I[15-0] | Interrupt Acknowledge Status/ID |
|-------|---------|---------------------------------|

Reading from these registers generates an interrupt acknowledge cycle on the VMEbus and returns the Status/ID value from the interrupt acknowledge cycle. These registers can be used to handle interrupts across the MXibus. Each VMEbus IRQ line has a separate interrupt acknowledge register, as shown above in the VXibus Address. The value returned when these registers are read by a VMEbus device is hex FFFF.

# Chapter 5

## Programming Considerations

---

This chapter explains important considerations for programming and configuring a VXIbus/MXIbus system using VXI-MXIs.

**Note:** *Detailed descriptions of all register bits can be found in Chapter 4, Register Descriptions.*

### System Configuration

In a MXIbus system, MXIbus address space is partitioned between MXIbus devices. A MXIbus device is any device having a MXIbus interface. MXIbus devices can be VXIbus mainframes, personal computers (PCs), or stand-alone instruments. The MXIbus memory map is the same for all devices in the VXIbus/MXIbus system. Multiple VXIbus subsystems share one VXIbus/MXIbus Resource Manager (RM). This multiframe RM performs all the VXIbus RM functions and configures all VXI-MXIs in the system to partition the MXIbus address space.

A VXIbus/MXIbus system can be connected together to form any arbitrary tree topology. A tree topology has no circular paths. Examples of tree topologies are shown in Figures 5-1 and 5-2. The system in Figure 5-1 would not be a tree structure if a cable were added from the last MXIbus device on Level 1 to the Root PC. Figure 5-2 would also be an illegal and circular system if a cable were added to connect the two MXIbus devices on Level 1. At the root of the tree is the multiframe RM. The root can be a VXIbus mainframe or a stand-alone device (for example, a PC with a MXIbus interface) that can operate as the system RM.

All MXIbus devices have address windows that connect them to the MXIbus system address map. MXIbus devices can be assigned space in any of four address spaces: A32, A24, A16 and logical address space. Upon initialization, all windows are turned off, isolating all MXIbus devices from each other. The multiframe RM scans the MXIbus links and VXIbus mainframes for devices and configures the window registers on each MXIbus device in order to partition the MXIbus address space among all devices.

### Planning a VXIbus/MXIbus System Logical Address Map

The VXIbus/MXIbus system integrator is the person who configures all the VXIbus and MXIbus devices and connects the system together. This chapter assumes that you are the system integrator.

Before you begin setting the logical addresses of the devices in your VXIbus/MXIbus system, you must determine the tree configuration of your system. The two basic configurations are the MXIbus multiframe RM as an external PC with a MXIbus interface, as shown in Figure 5-1, or the MXIbus multiframe RM in a VXIbus mainframe, as shown in Figure 5-2. The location of the multiframe RM constitutes the root of the system tree. MXIbus links connected to the root of the tree form levels of the tree. Notice that only one MXIbus link can be connected on the first level below a root PC multiframe RM, while multiple MXIbus links can be connected on the first level below a root VXIbus mainframe.

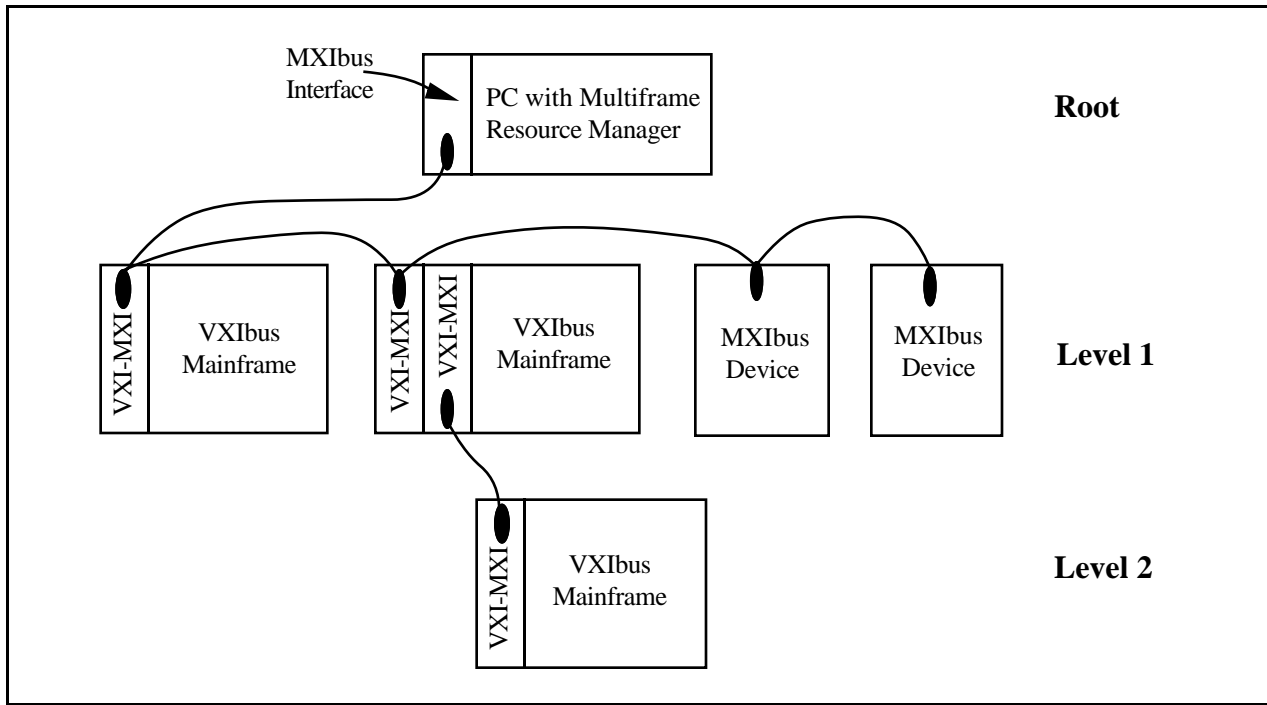


Figure 5-1. VXIbus/MXIbus System with Multiframe RM on a PC

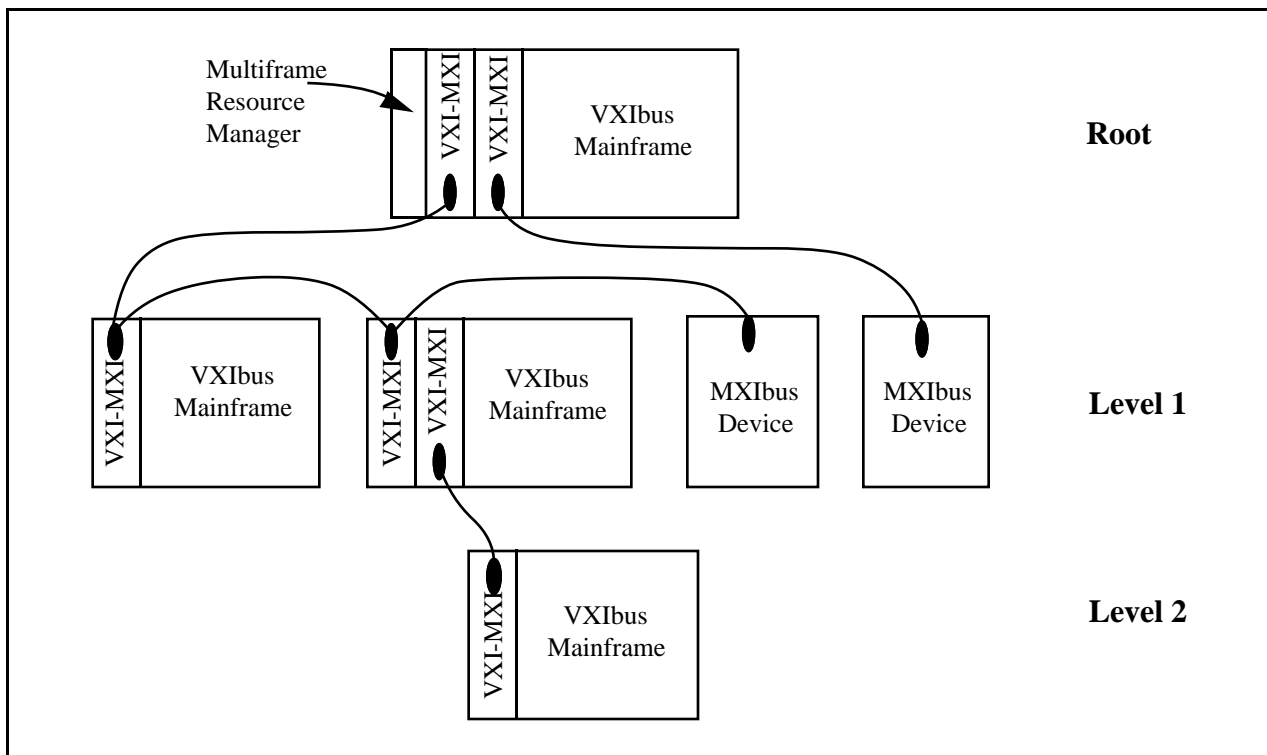


Figure 5-2. VXIbus/MXIbus System with Multiframe RM in a VXIbus Mainframe

The recommended way to set up your system is to fill up Level 1 MXIbus links before adding additional levels. System performance decreases as the number of levels in the system increases because each level requires additional signal conversion. Also keep in mind these three basic rules for VXI-MXI installation as you decide where to install your VXI-MXI interfaces:

1. The VMEbus bus timeout unit must be on a VXI-MXI.
2. Multiple VXI-MXIs in a mainframe must be in adjacent slots.
3. If in interlocked bus mode, all VXI-MXIs must be the highest priority VMEbus requesters in that frame, with the possible exception of one device in the MXIbus link.

The address mapping windows on the VXI-MXI can be configured to have a *Base/Size* format or a *High/Low* format. The CMODE bit in the MXIbus Control Register selects which format the mapping windows use.

### Base/Size Configuration Format

Each address mapping window on a MXIbus interface has Base and Size parameters associated with it when the CMODE bit in the MXIbus Control Register is cleared. The Base bits define the base address for the window, and the Size bits indicate the number of Base bits that are significant. Replacing the insignificant bits with zeros gives the actual base address of the window. In other words, the Base and Size define a range of addresses that are in the window. A Direction bit is also included to indicate whether the defined range of addresses are mapped into or out of the VXIbus mainframe.

Table 5-1 shows which bits are compared for each Size setting and the resulting address range in hex if Base is set to 0 and hex 55. Figure 5-3 further illustrates the number of bits of the Base that are compared for each Size value. Notice that if Size = 0, no bits are compared. Figure 5-4 shows the address range allocation for different Size values.

Table 5-1. Base and Size Combinations

| Size | Base7 | Base6 | Base5 | Base4 | Base3 | Base2 | Base1 | Base0 | Range for 0 | Range for 55 |
|------|-------|-------|-------|-------|-------|-------|-------|-------|-------------|--------------|
| 7    | *     | *     | *     | *     | *     | *     | *     |       | 0 to 1      | 54 to 55     |
| 6    | *     | *     | *     | *     | *     | *     |       |       | 0 to 3      | 54 to 57     |
| 5    | *     | *     | *     | *     | *     |       |       |       | 0 to 7      | 50 to 57     |
| 4    | *     | *     | *     | *     |       |       |       |       | 0 to F      | 50 to 5F     |
| 3    | *     | *     | *     |       |       |       |       |       | 0 to 1F     | 40 to 5F     |
| 2    | *     | *     |       |       |       |       |       |       | 0 to 3F     | 40 to 7F     |
| 1    | *     |       |       |       |       |       |       |       | 0 to 7F     | 00 to 7F     |
| 0    |       |       |       |       |       |       |       |       | 0 to FF     | 00 to FF     |



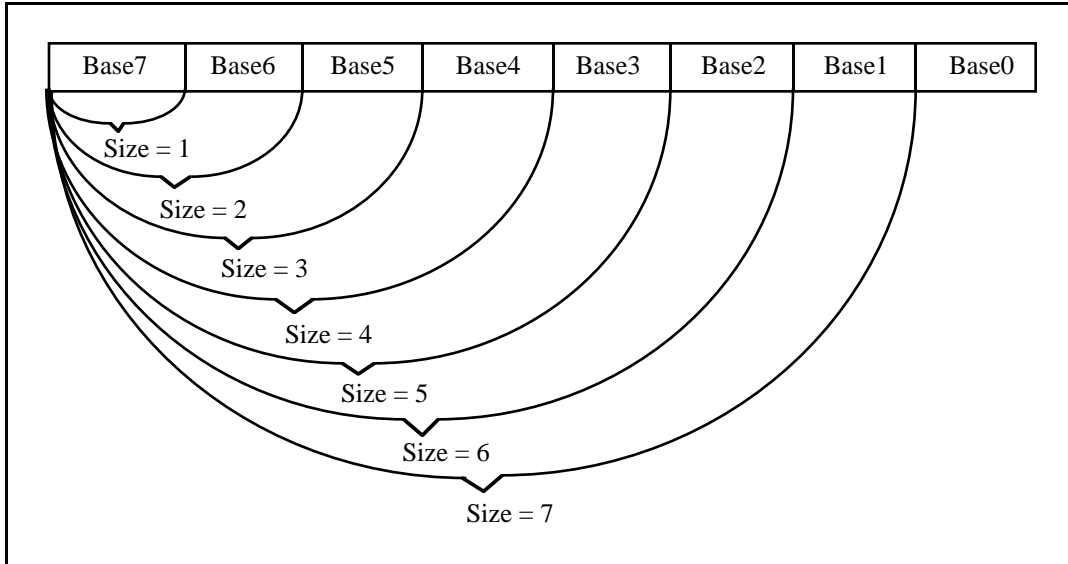


Figure 5-3. Base and Size Combinations

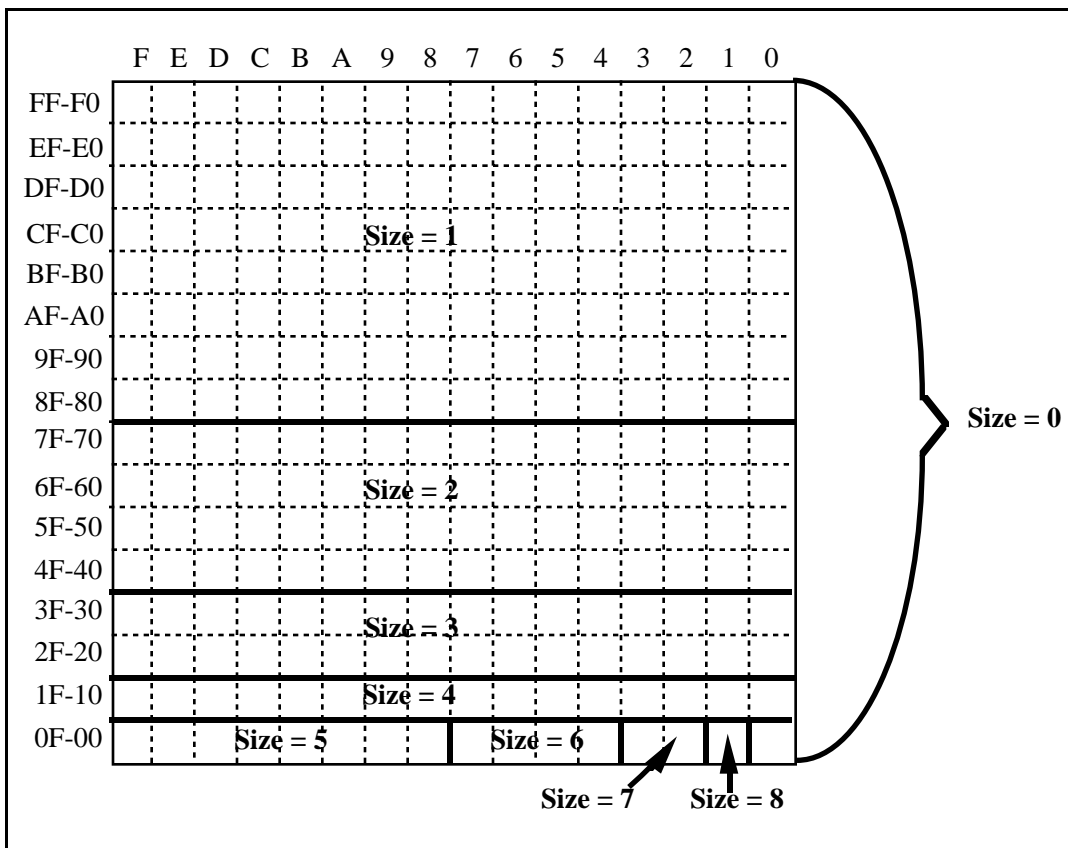


Figure 5-4. Address Range Allocation for Different Size Values

## High/Low Configuration Format

Each address mapping window on a MXIbus interface has High and Low address parameters associated with it when the CMODE bit in the MXIbus Control Register is set. The High and Low values define the range of MXIbus addresses that map into the VXIbus. The High bits define the upper bound address of the window, and the Low bits indicate the lower bound address of the window. To map a range of addresses from the VXIbus to the MXIbus (out of the mainframe), the RM places the upper bound of the window in the Low field, and the lower bound of the window in the High field. The window is disabled if the upper and lower bound are both equal to zero.

## Steps to Follow When Planning a System Logical Address Map

As system integrator, when installing devices in the VXIbus/MXIbus system, you must assign a range of logical addresses for each VXIbus mainframe and MXIbus link. The multiframe RM configures the logical address windows of each device to include the static logical addresses it finds in the mainframe, and returns an error if the static logical address assignments prevent assignment of an entire system logical address map. Devices with dynamically configurable logical addresses are assigned logical addresses within the range of addresses defined by the static devices in the mainframe.

The example system in Figure 5-5 has two levels. The VXIbus RM is in VXIbus Mainframe #1. Use the following steps to develop a logical address map. The example worksheets show numbers for using Base/Size window formats. For High/Low format systems, you do not need to round the range of addresses for each mainframe up to the next power of two. Following the example system are worksheets you can use for analyzing your own system.

1. Lay out your system configuration and determine the number of logical addresses required by each VXIbus mainframe and MXIbus device. See Figure 5-5 and Table 5-2 for examples. Identify the multiframe RM and label its host device as the root of the system. Also identify the levels of the system and the MXIbus links on each level. MXIbus links cannot span across levels.
2. Determine the number of logical addresses required by the root device. If the RM is a PC with a MXIbus interface, the total number of logical addresses required is 1. If the RM is in a VXIbus mainframe, determine the number of logical addresses required by all devices in that mainframe. Fill in that number in the appropriate space in the RM block as shown in Figure 5-7. If you are using the Base/Size format of the windows, round that number to the next highest power of two and place that number in the appropriate space.

**Note:** *If your RM is a PC with a MXIbus interface and you have more than one VXIbus mainframe on Level 1, you must change the logical addresses of both VXI-MXI interfaces so that they are not at the default of 1. Select a logical address that is greater than or equal to the number of logical addresses required by the mainframe.*

In the example system, the multiframe RM is installed in VXIbus Mainframe #1 and that frame requires 12 logical addresses. We rounded the value 12 to the next highest power of two and entered the number 16 into the table.

3. Next, fill in the blanks for the number of logical addresses required by the first-level MXIbus devices. Using a separate worksheet for each MXIbus link on Level 1, fill in the blanks for the number of logical addresses required by the devices on each MXIbus link. Remember, you do not need to round numbers to the next power of two if you are using the High/Low format for the windows.

The example system has two MXIbus links on the first level: MXIbus #1 and MXIbus #2. Figure 5-8 is the worksheet for MXIbus #1 and Figure 5-9 is the worksheet for MXIbus #2. We listed the devices on the MXIbus link and entered the number of logical addresses required by each device into the appropriate spaces. We then rounded the number of logical addresses up to the next power of two and entered this number into the table.

4. Fill out a separate worksheet for second-level MXIbus links and put the results in the appropriate places on the worksheet for the first-level device to which they are connected. Determine the total number of logical addresses required for the first-level device by adding the numbers with "+" next to them. If you are using Base/Size window formats, round this number to the next highest power of two and place it in the appropriate space on the worksheet.

For the example system, MXIbus #3 is a second-level MXIbus link and it is connected to VXIbus Mainframe #3. We filled out the worksheet in Figure 5-10 for MXIbus #3 and entered the results into the worksheet for MXIbus #1 (Figure 5-8) under the device VXIbus Mainframe #3. MXIbus #3 needs 32 logical addresses and the devices in VXIbus Mainframe #3 need 6 logical addresses. The sum of these numbers is 40, which rounds up to 64.

5. Determine the total number of logical addresses required by each MXIbus link by adding the numbers adjacent to the "\*" symbols and entering that number in the appropriate space at the bottom of the worksheet. If you are using the Base/Size window format, round the number to the highest power of two and enter it into the appropriate space on the worksheet. Place these numbers in the appropriate spaces on the worksheet for the next highest-level device to which the MXIbus link is connected.

In the example system, MXIbus #1 requires 101 logical addresses (found at the bottom of Figure 5-8) and MXIbus #2 requires 8 logical addresses (found at the bottom of Figure 5-9). We placed these numbers in the corresponding spaces in Figure 5-7.

6. Add up the total number of logical addresses required for the system (at the bottom of Figure 5-7). Round this number up to the highest power of two if you are using Base/Size formats. The result should be equal to or less than 256. If the number is greater than 256, you must reorganize your devices and reconfigure the system. In the example system, this number equals 256, therefore the configuration is acceptable.
7. If you are using Base/Size parameters, determine the Size field of the range for each device and MXIbus link and insert that value in the corresponding locations of the worksheets. When you round up the number of logical addresses required to  $2^x$ ,  $\text{Size} = 8 - X$ .

8. Determine the range of addresses that will be occupied by the root device and each first-level device and MXIbus link. For Base/Size systems, use the Logical Address Map Diagram shown in Figure 5-6 to visualize the logical address map for the system. Each square in this diagram represents one logical address. The maximum number of logical addresses in a system is 256 and address ranges are assigned in blocks divisible by a power of two. Refer to Table 5-1 and Figure 5-4 for example logical address allocations for different Size values.

The multiframe RM by definition is located at logical address 0; therefore, the host device of the multiframe RM must be assigned a range of logical addresses that includes logical address 0. Starting with the MXIbus link on Level 1, which requires the most logical addresses, assign the lowest available address range of the logical address map and continue with the next largest MXIbus link.

For the example system, VXIbus Mainframe #1, the host to the multiframe RM, requires 16 logical addresses and must have a range that includes logical address 0. It is assigned address range 0 to F hex. The largest first-level MXIbus link is MXIbus #1. It requires 128 logical addresses, which is one-half of the total logical address space. The lowest available address range of 128 divisible by a power of two is 80 to FF hex, which is the upper half of the logical address space. The other first-level MXIbus link, MXIbus #2, only needs eight logical addresses. It is assigned the lowest available range of size 8: 10 to 17 hex.

9. Determine the range of addresses that will be occupied by each device in the first-level MXIbus links. Remember that the range of addresses occupied by these devices must be within the range of addresses assigned to MXIbus link to which it is a member. Start with the largest device in the MXIbus link.

In the example system, MXIbus #1 has four devices. The largest one is VXIbus Mainframe #3, which requires 64 logical addresses. This device has a second-level MXIbus link that needs 32 logical addresses, and the mainframe needs eight logical addresses for its own devices. First, assign the devices in the mainframe to the lowest available range within the allotted address range of MXIbus #1: 80 to 87 hex. Then assign MXIbus #3 the lowest available range of size 32: A0 to BF hex. The next largest device, VXIbus Mainframe #2, needs 32 logical addresses and is assigned the next lowest available range of 32: C0 to DF hex. MXIbus Device A needs four logical addresses and MXIbus Device B needs one address. They are assigned E0 to E3, and E4, respectively.

10. Determine the range of addresses that will be occupied by each second-level device and MXIbus link. Remember that the range of addresses occupied by second-level devices must be within the range of addresses assigned to the device one level above it. Once the first-level MXIbus links have been allocated, assign the MXIbus devices and second-level MXIbus links within the corresponding first-level devices, starting with the largest device.

In the example system, we assigned MXIbus #3 address range A0 to BF hex. MXIbus #3 has two devices: VXIbus Mainframe #4 and VXIbus Mainframe #5. Each requires 16 logical addresses; therefore, we assigned them address ranges A0 to AF hex, and B0 to BF hex, respectively.

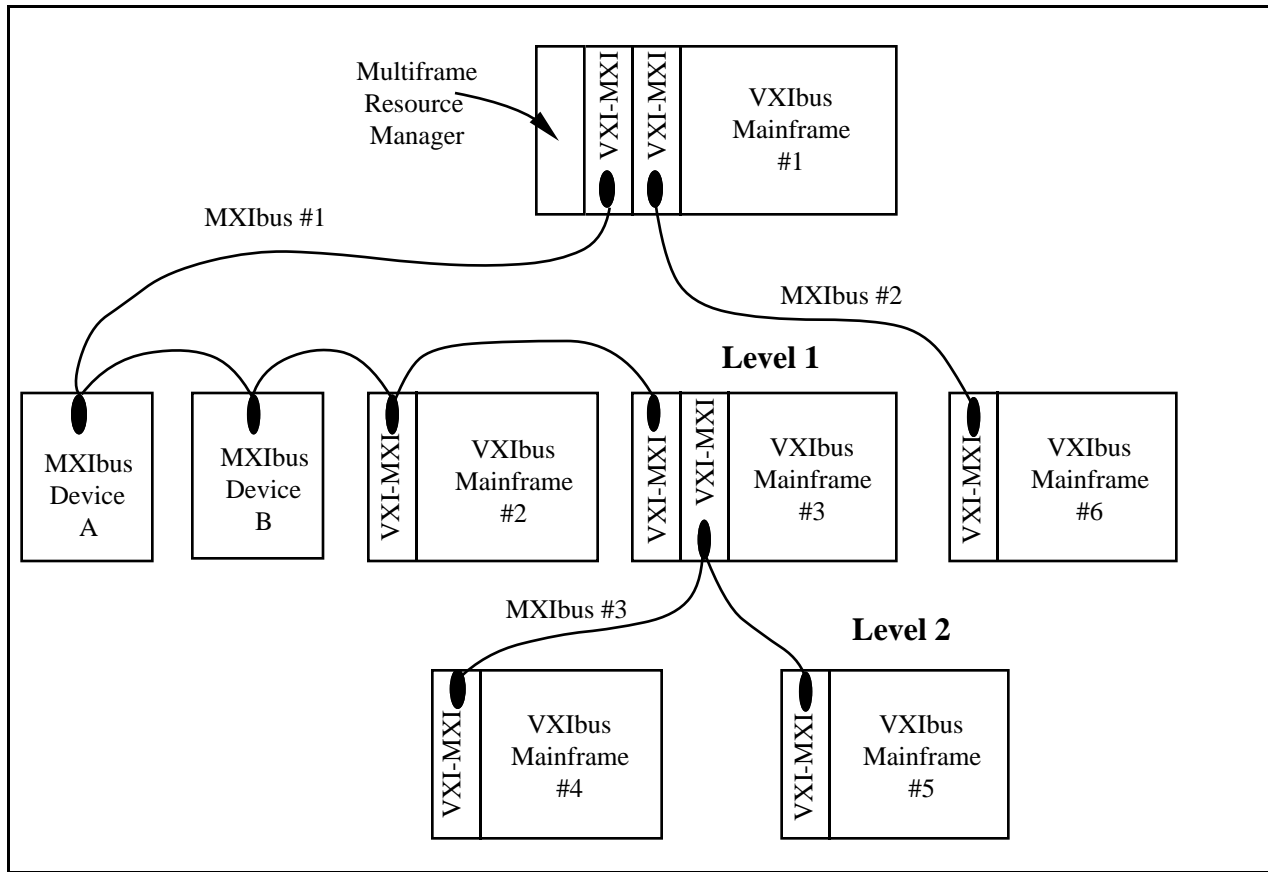


Figure 5-5. Example VXIbus/MXIbus System

Table 5-2. Example VXIbus/MXIbus System Required Logical Addresses

| Device              | Number of Logical Addresses Required |
|---------------------|--------------------------------------|
| VXIbus Mainframe #1 | 12                                   |
| MXIbus Device A     | 3                                    |
| MXIbus Device B     | 1                                    |
| VXIbus Mainframe #2 | 23                                   |
| VXIbus Mainframe #3 | 6                                    |
| VXIbus Mainframe #4 | 13                                   |
| VXIbus Mainframe #5 | 9                                    |
| VXIbus Mainframe #6 | 7                                    |

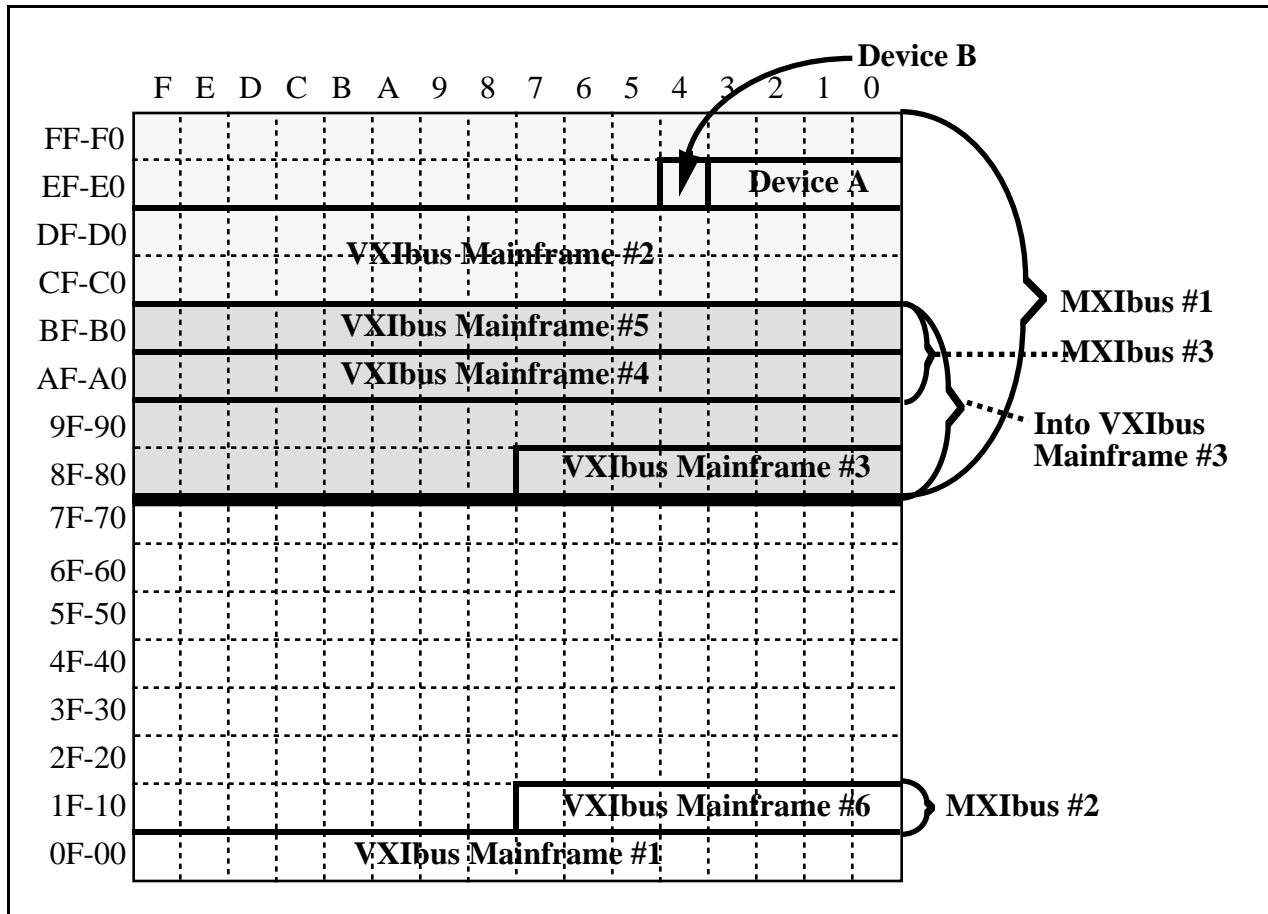


Figure 5-6. Logical Address Map Diagram for Example VXIbus/MXIbus System

|                                                                                     |  |                              |                        |
|-------------------------------------------------------------------------------------|--|------------------------------|------------------------|
| <b>Resource Manager Mainframe:</b> <u>VXibus Mainframe #1</u>                       |  |                              |                        |
| Total number of logical addresses required by this device:                          |  | <u>12</u>                    | Range = <u>0 - F</u>   |
| Round total number up to the next power of two:                                     |  | * <u>16 (2<sup>4</sup>)</u>  | Size = <u>8-4 = 4</u>  |
| <b>First Level MXibus Link:</b> <u>MXibus #1</u>                                    |  |                              |                        |
| (Fill in after completing charts on the following pages)                            |  |                              |                        |
| Total number of logical addresses required by MXibus Link:                          |  | <u>101</u>                   | Range = <u>80 - FF</u> |
| Round total number up to next power of two:                                         |  | * <u>128 (2<sup>7</sup>)</u> | Size = <u>8-7 = 1</u>  |
| <b>First Level MXibus Link:</b> <u>MXibus #2</u>                                    |  |                              |                        |
| (Fill in after completing charts on the following pages)                            |  |                              |                        |
| Total number of logical addresses required by MXibus Link:                          |  | <u>8</u>                     | Range = <u>10 - 17</u> |
| Round total number up to next power of two:                                         |  | * <u>8 (2<sup>3</sup>)</u>   | Size = <u>8-3 = 5</u>  |
| <b>First Level MXibus Link:</b> _____                                               |  |                              |                        |
| (Fill in after completing charts on the following pages)                            |  |                              |                        |
| Total number of logical addresses required by MXibus Link:                          |  | _____                        | Range = _____          |
| Round total number up to next power of two:                                         |  | * _____                      | Size = _____           |
| <b>Total Number of Logical Addresses Required:</b>                                  |  | <u>152</u>                   | Range = <u>0 - FF</u>  |
| (Add numbers after the "*)" _____                                                   |  |                              | Size = <u>8-8 = 0</u>  |
| <b>Round total number up to next power of two:</b>                                  |  | <u>256</u>                   |                        |
| (If this number is greater than 256, you need to reorganize devices and try again.) |  |                              |                        |

Figure 5-7. Worksheet 1 for Example VXibus/MXibus System





|                                                                    |                               |                                    |
|--------------------------------------------------------------------|-------------------------------|------------------------------------|
| <b>MXIbus Link:</b> <i>MXIbus #2</i>                               |                               |                                    |
| <b>Device:</b> <u><i>VXIbus Mainframe #6</i></u>                   |                               |                                    |
| Number of logical addresses required by device:                    | <u>7</u>                      | Range = <u><i>10 – 17</i></u>      |
| Round total number up to the next power of two:                    | <u><math>8 (2^3)</math></u>   | Size = <u><math>8-3 = 5</math></u> |
| List other MXIbus links to this mainframe:                         | _____                         |                                    |
| Number of logical addresses required by additional MXIbus links: + | <u>0</u>                      |                                    |
| Total number of logical addresses required by this device:         | = <u>7</u>                    | Range = <u><i>10 – 17</i></u>      |
| Round total number up to the next power of two:                    | * <u><math>8 (2^3)</math></u> | Size = <u><math>8-3 = 5</math></u> |
| <b>Device:</b> _____                                               |                               |                                    |
| Number of logical addresses required by device:                    | _____                         | Range = _____                      |
| Round total number up to the next power of two:                    | _____                         | Size = _____                       |
| List other MXIbus links to this mainframe:                         | _____                         |                                    |
| Number of logical addresses required by additional MXIbus links: + | _____                         |                                    |
| Total number of logical addresses required by this device:         | = _____                       | Range = _____                      |
| Round total number up to the next power of two:                    | * _____                       | Size = _____                       |
| <b>Total Number of Logical Addresses Required:</b>                 | <u>8</u>                      | Range = <u><i>10 – 17</i></u>      |
| (Add numbers after the "**")                                       |                               |                                    |
| <b>Round total number up to next power of two:</b>                 | <u><math>8 (2^3)</math></u>   | Size = <u><math>8-3 = 5</math></u> |

Figure 5-9. Worksheet 3 for Example VXIbus/MXIbus System

|                                                                    |                                |                                    |
|--------------------------------------------------------------------|--------------------------------|------------------------------------|
| <b>MXIbus Link:</b> <i>MXIbus #3</i>                               |                                |                                    |
| <b>Device:</b> <u><i>VXIbus Mainframe #4</i></u>                   |                                |                                    |
| Number of logical addresses required by device:                    | <u>13</u>                      | Range = <u><i>A0 – AF</i></u>      |
| Round total number up to the next power of two:                    | <u><math>16 (2^4)</math></u>   | Size = <u><math>8-4 = 4</math></u> |
| List other MXIbus links to this mainframe:                         | _____                          |                                    |
| Number of logical addresses required by additional MXIbus links: + | <u>0</u>                       |                                    |
| Total number of logical addresses required by this device:         | = <u>13</u>                    | Range = <u><i>A0 – AF</i></u>      |
| Round total number up to the next power of two:                    | * <u><math>16 (2^4)</math></u> | Size = <u><math>8-4 = 4</math></u> |
| <b>Device:</b> <u><i>VXIbus Mainframe #5</i></u>                   |                                |                                    |
| Number of logical addresses required by device:                    | <u>9</u>                       | Range = <u><i>B0 – BF</i></u>      |
| Round total number up to the next power of two:                    | <u><math>16 (2^4)</math></u>   | Size = <u><math>8-4 = 4</math></u> |
| List other MXIbus links to this mainframe:                         | _____                          |                                    |
| Number of logical addresses required by additional MXIbus links: + | <u>0</u>                       |                                    |
| Total number of logical addresses required by this device:         | = <u>9</u>                     | Range = <u><i>B0 – BF</i></u>      |
| Round total number up to the next power of two:                    | * <u><math>16 (2^4)</math></u> | Size = <u><math>8-4 = 4</math></u> |
| <b>Total Number of Logical Addresses Required:</b>                 | <u>32</u>                      | Range = <u><i>A0 – BF</i></u>      |
| (Add numbers after the "**")                                       |                                |                                    |
| <b>Round total number up to next power of two:</b>                 | <u><math>32 (2^5)</math></u>   | Size = <u><math>8-5 = 3</math></u> |

Figure 5-10. Worksheet 4 for Example VXIbus/MXIbus System

### Worksheets for Planning Your VXIbus/MXIbus Logical Address Map

Use the worksheets on the following pages for analyzing your own VXIbus/MXIbus system. Follow the procedures used to fill out the worksheets for the sample VXIbus/MXIbus system.

|       | F | E | D | C | B | A | 9 | 8 | 7 | 6 | 5 | 4 | 3 | 2 | 1 | 0 |
|-------|---|---|---|---|---|---|---|---|---|---|---|---|---|---|---|---|
| FF-F0 |   |   |   |   |   |   |   |   |   |   |   |   |   |   |   |   |
| EF-E0 |   |   |   |   |   |   |   |   |   |   |   |   |   |   |   |   |
| DF-D0 |   |   |   |   |   |   |   |   |   |   |   |   |   |   |   |   |
| CF-C0 |   |   |   |   |   |   |   |   |   |   |   |   |   |   |   |   |
| BF-B0 |   |   |   |   |   |   |   |   |   |   |   |   |   |   |   |   |
| AF-A0 |   |   |   |   |   |   |   |   |   |   |   |   |   |   |   |   |
| 9F-90 |   |   |   |   |   |   |   |   |   |   |   |   |   |   |   |   |
| 8F-80 |   |   |   |   |   |   |   |   |   |   |   |   |   |   |   |   |
| 7F-70 |   |   |   |   |   |   |   |   |   |   |   |   |   |   |   |   |
| 6F-60 |   |   |   |   |   |   |   |   |   |   |   |   |   |   |   |   |
| 5F-50 |   |   |   |   |   |   |   |   |   |   |   |   |   |   |   |   |
| 4F-40 |   |   |   |   |   |   |   |   |   |   |   |   |   |   |   |   |
| 3F-30 |   |   |   |   |   |   |   |   |   |   |   |   |   |   |   |   |
| 2F-20 |   |   |   |   |   |   |   |   |   |   |   |   |   |   |   |   |
| 1F-10 |   |   |   |   |   |   |   |   |   |   |   |   |   |   |   |   |
| 0F-00 |   |   |   |   |   |   |   |   |   |   |   |   |   |   |   |   |

|                                                                                     |         |               |
|-------------------------------------------------------------------------------------|---------|---------------|
| <b>Resource Manager Mainframe:</b> _____                                            |         |               |
| Total number of logical addresses required by this device:                          | _____   | Range = _____ |
| Round total number up to the next power of two:                                     | * _____ | Size = _____  |
| <b>First Level MXIbus Link:</b> _____                                               |         |               |
| (Fill in after completing charts on the following pages)                            |         |               |
| Total number of logical addresses required by MXIbus Link:                          | _____   | Range = _____ |
| Round total number up to next power of two:                                         | * _____ | Size = _____  |
| <b>First Level MXIbus Link:</b> _____                                               |         |               |
| (Fill in after completing charts on the following pages)                            |         |               |
| Total number of logical addresses required by MXIbus Link:                          | _____   | Range = _____ |
| Round total number up to next power of two:                                         | * _____ | Size = _____  |
| <b>First Level MXIbus Link:</b> _____                                               |         |               |
| (Fill in after completing charts on the following pages)                            |         |               |
| Total number of logical addresses required by MXIbus Link:                          | _____   | Range = _____ |
| Round total number up to next power of two:                                         | * _____ | Size = _____  |
| <b>First Level MXIbus Link:</b> _____                                               |         |               |
| (Fill in after completing charts on the following pages)                            |         |               |
| Total number of logical addresses required by MXIbus Link:                          | _____   | Range = _____ |
| Round total number up to next power of two:                                         | * _____ | Size = _____  |
| <b>Total Number of Logical Addresses Required:</b> _____                            |         |               |
| (Add numbers after the "*")                                                         |         |               |
| <b>Round total number up to next power of two:</b>                                  | _____   | Range = _____ |
| (If this number is greater than 256, you need to reorganize devices and try again.) | * _____ | Size = _____  |

|                                                                    |         |               |
|--------------------------------------------------------------------|---------|---------------|
| <b>MXIbus Link:</b>                                                |         |               |
| <b>Device:</b> _____                                               |         |               |
| Number of logical addresses required by device:                    | _____   | Range = _____ |
| Round total number up to the next power of two:                    | _____   | Size = _____  |
| List other MXIbus links to this mainframe:                         | _____   |               |
| Number of logical addresses required by additional MXIbus links: + | _____   |               |
| Total number of logical addresses required by this device:         | = _____ | Range = _____ |
| Round total number up to the next power of two:                    | * _____ | Size = _____  |
| <b>Device:</b> _____                                               |         |               |
| Number of logical addresses required by device:                    | _____   | Range = _____ |
| Round total number up to the next power of two:                    | _____   | Size = _____  |
| List other MXIbus links to this mainframe:                         | _____   |               |
| Number of logical addresses required by additional MXIbus links: + | _____   |               |
| Total number of logical addresses required by this device:         | = _____ | Range = _____ |
| Round total number up to the next power of two:                    | * _____ | Size = _____  |
| <b>Device:</b> _____                                               |         |               |
| Number of logical addresses required by device:                    | _____   | Range = _____ |
| Round total number up to the next power of two:                    | _____   | Size = _____  |
| List other MXIbus links to this mainframe:                         | _____   |               |
| Number of logical addresses required by additional MXIbus links: + | _____   |               |
| Total number of logical addresses required by this device:         | = _____ | Range = _____ |
| Round total number up to the next power of two:                    | * _____ | Size = _____  |
| <b>Device:</b> _____                                               |         |               |
| Number of logical addresses required by device:                    | _____   | Range = _____ |
| Round total number up to the next power of two:                    | _____   | Size = _____  |
| List other MXIbus links to this mainframe:                         | _____   |               |
| Number of logical addresses required by additional MXIbus links: + | _____   |               |
| Total number of logical addresses required by this device:         | = _____ | Range = _____ |
| Round total number up to the next power of two:                    | * _____ | Size = _____  |
| <b>Device:</b> _____                                               |         |               |
| Number of logical addresses required by device:                    | _____   | Range = _____ |
| Round total number up to the next power of two:                    | _____   | Size = _____  |
| List other MXIbus links to this mainframe:                         | _____   |               |
| Number of logical addresses required by additional MXIbus links: + | _____   |               |
| Total number of logical addresses required by this device:         | = _____ | Range = _____ |
| Round total number up to the next power of two:                    | * _____ | Size = _____  |
| <b>Total Number of Logical Addresses Required:</b> _____           |         |               |
| (Add numbers after the "*")                                        |         |               |
| <b>Round total number up to next power of two:</b> _____           |         |               |
|                                                                    |         | Range = _____ |
|                                                                    |         | Size = _____  |

|                                                                    |         |               |
|--------------------------------------------------------------------|---------|---------------|
| <b>MXIbus Link:</b>                                                |         |               |
| <b>Device:</b> _____                                               |         |               |
| Number of logical addresses required by device:                    | _____   | Range = _____ |
| Round total number up to the next power of two:                    | _____   | Size = _____  |
| List other MXIbus links to this mainframe:                         | _____   |               |
| Number of logical addresses required by additional MXIbus links: + | _____   |               |
| Total number of logical addresses required by this device:         | = _____ | Range = _____ |
| Round total number up to the next power of two:                    | * _____ | Size = _____  |
| <b>Device:</b> _____                                               |         |               |
| Number of logical addresses required by device:                    | _____   | Range = _____ |
| Round total number up to the next power of two:                    | _____   | Size = _____  |
| List other MXIbus links to this mainframe:                         | _____   |               |
| Number of logical addresses required by additional MXIbus links: + | _____   |               |
| Total number of logical addresses required by this device:         | = _____ | Range = _____ |
| Round total number up to the next power of two:                    | * _____ | Size = _____  |
| <b>Device:</b> _____                                               |         |               |
| Number of logical addresses required by device:                    | _____   | Range = _____ |
| Round total number up to the next power of two:                    | _____   | Size = _____  |
| List other MXIbus links to this mainframe:                         | _____   |               |
| Number of logical addresses required by additional MXIbus links: + | _____   |               |
| Total number of logical addresses required by this device:         | = _____ | Range = _____ |
| Round total number up to the next power of two:                    | * _____ | Size = _____  |
| <b>Device:</b> _____                                               |         |               |
| Number of logical addresses required by device:                    | _____   | Range = _____ |
| Round total number up to the next power of two:                    | _____   | Size = _____  |
| List other MXIbus links to this mainframe:                         | _____   |               |
| Number of logical addresses required by additional MXIbus links: + | _____   |               |
| Total number of logical addresses required by this device:         | = _____ | Range = _____ |
| Round total number up to the next power of two:                    | * _____ | Size = _____  |
| <b>Device:</b> _____                                               |         |               |
| Number of logical addresses required by device:                    | _____   | Range = _____ |
| Round total number up to the next power of two:                    | _____   | Size = _____  |
| List other MXIbus links to this mainframe:                         | _____   |               |
| Number of logical addresses required by additional MXIbus links: + | _____   |               |
| Total number of logical addresses required by this device:         | = _____ | Range = _____ |
| Round total number up to the next power of two:                    | * _____ | Size = _____  |
| <b>Total Number of Logical Addresses Required:</b> _____           |         |               |
| (Add numbers after the "*")                                        |         |               |
| <b>Round total number up to next power of two:</b> _____           |         |               |
|                                                                    |         | Range = _____ |
|                                                                    |         | Size = _____  |

|                                                                    |         |               |
|--------------------------------------------------------------------|---------|---------------|
| <b>MXIbus Link:</b>                                                |         |               |
| <b>Device:</b> _____                                               |         |               |
| Number of logical addresses required by device:                    | _____   | Range = _____ |
| Round total number up to the next power of two:                    | _____   | Size = _____  |
| List other MXIbus links to this mainframe:                         | _____   |               |
| Number of logical addresses required by additional MXIbus links: + | _____   |               |
| Total number of logical addresses required by this device:         | = _____ | Range = _____ |
| Round total number up to the next power of two:                    | * _____ | Size = _____  |
| <b>Device:</b> _____                                               |         |               |
| Number of logical addresses required by device:                    | _____   | Range = _____ |
| Round total number up to the next power of two:                    | _____   | Size = _____  |
| List other MXIbus links to this mainframe:                         | _____   |               |
| Number of logical addresses required by additional MXIbus links: + | _____   |               |
| Total number of logical addresses required by this device:         | = _____ | Range = _____ |
| Round total number up to the next power of two:                    | * _____ | Size = _____  |
| <b>Device:</b> _____                                               |         |               |
| Number of logical addresses required by device:                    | _____   | Range = _____ |
| Round total number up to the next power of two:                    | _____   | Size = _____  |
| List other MXIbus links to this mainframe:                         | _____   |               |
| Number of logical addresses required by additional MXIbus links: + | _____   |               |
| Total number of logical addresses required by this device:         | = _____ | Range = _____ |
| Round total number up to the next power of two:                    | * _____ | Size = _____  |
| <b>Device:</b> _____                                               |         |               |
| Number of logical addresses required by device:                    | _____   | Range = _____ |
| Round total number up to the next power of two:                    | _____   | Size = _____  |
| List other MXIbus links to this mainframe:                         | _____   |               |
| Number of logical addresses required by additional MXIbus links: + | _____   |               |
| Total number of logical addresses required by this device:         | = _____ | Range = _____ |
| Round total number up to the next power of two:                    | * _____ | Size = _____  |
| <b>Device:</b> _____                                               |         |               |
| Number of logical addresses required by device:                    | _____   | Range = _____ |
| Round total number up to the next power of two:                    | _____   | Size = _____  |
| List other MXIbus links to this mainframe:                         | _____   |               |
| Number of logical addresses required by additional MXIbus links: + | _____   |               |
| Total number of logical addresses required by this device:         | = _____ | Range = _____ |
| Round total number up to the next power of two:                    | * _____ | Size = _____  |
| <b>Total Number of Logical Addresses Required:</b> _____           |         |               |
| (Add numbers after the "*")                                        |         |               |
| <b>Round total number up to next power of two:</b> _____           |         |               |
|                                                                    |         | Range = _____ |
|                                                                    |         | Size = _____  |

## Alternative Worksheets for Planning Your VXIbus/MXIbus Logical Address Map

For most VXIbus/MXIbus systems, you may find the following worksheet helpful when setting up a system using the High/Low format for window configuration. The entire system can be described on one worksheet. The dotted lines can be used to add additional MXIbus links to Level 1 of the system, or to connect a Level 2 MXIbus link to one of the devices on Level 1.

Figure 5-11 presents one of these worksheets filled out for the example VXIbus/MXIbus system shown in Figure 5-5. Notice that the system does not take up as much of the logical address space as the Base/Size method of configuration because address requirements do not have to occupy blocks in powers of two. With High/Low configuration, each VXI-MXI window can be configured for exactly the amount of address space the mainframe needs.





## Planning a VXIbus/MXIbus System A16 Address Map

The VXIbus specification does not define a method for dynamically determining the amount of A16 space each device requires. The specification defines the upper 16 KB of A16 space for VXIbus device configuration registers. In most cases, the lower 48 KB of A16 space are used for VMEbus devices installed in the VXIbus system. In a VXIbus/MXIbus system, A16 space is defined as that lower 48 KB of the A16 address space. As system integrator, you must determine the A16 address requirements for your VXIbus/MXIbus system and define the A16 space ranges needed as foreign devices to the system RM.

You should configure the A16 resources for your VMEbus boards in the lower 48 KB (0000 through BFFF hex) of A16 space, so that you do not interfere with VXIbus configuration space. The logical address window mapping window is then used for mapping configuration space for VXIbus devices, and the A16 window mapping window is used for mapping configuration space for VMEbus devices.

When using Base/Size windowing formats, the minimum size of an A16 window is 512 B and the maximum size is 48 KB (window size = 0). Setting an A16 window address range in the upper 16 KB of A16 space (A15 = 1, A14 = 1) is not allowed, because it would conflict with the logical address space. Table 5-3 shows the A16 allocation sizes used for Base/Size systems.

Table 5-3. Amount of A16 Space Allocated for all Size Values

| Size | Amount of A16 Space Allocated<br>(in Bytes) |
|------|---------------------------------------------|
| 7    | 512 B                                       |
| 6    | 1 KB                                        |
| 5    | 2 KB                                        |
| 4    | 4 KB                                        |
| 3    | 8 KB                                        |
| 2    | 16 KB                                       |
| 1    | 32 KB                                       |
| 0    | 48 KB (All of A16 space)                    |

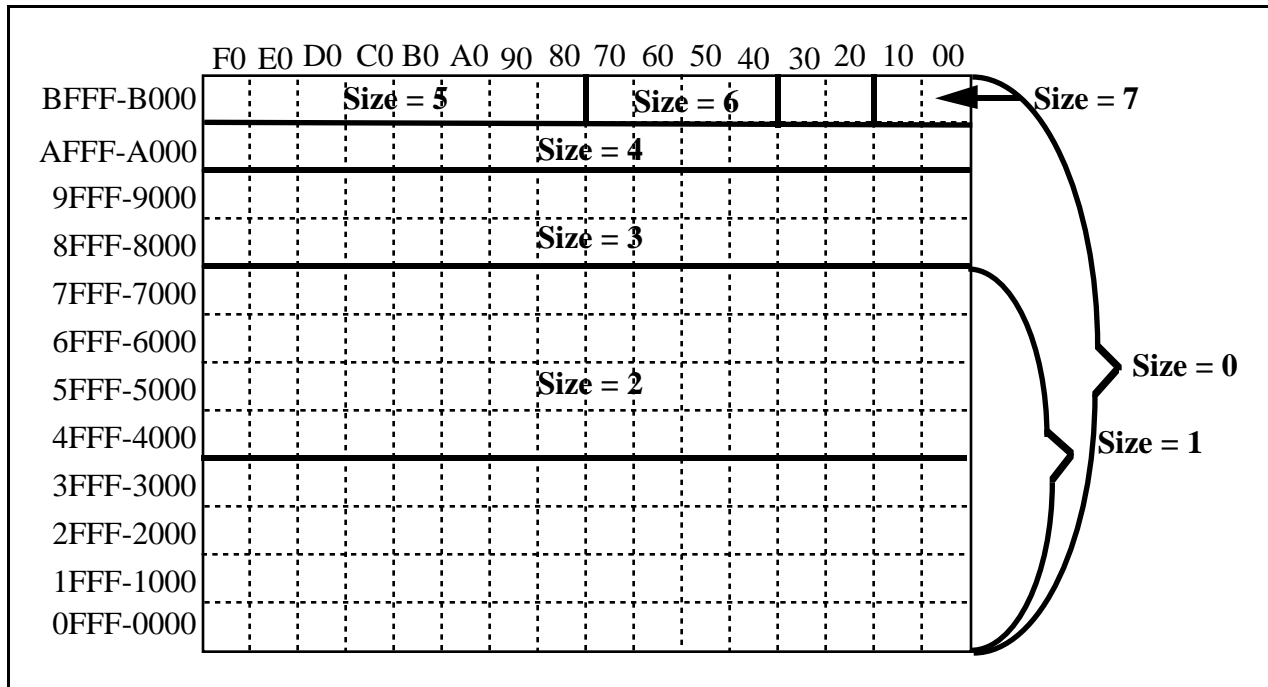


Figure 5-12. A16 Space Allocations for all Size Values

To plan the A16 address map, you will follow procedures similar to those for planning the logical address space address map. Determine the amount of A16 space required by each device; if you are using Base/Size windowing formats, round that amount up to the next address break listed in Table 5-3. Next, assign the A16 space, starting with the root device and working down the VXIbus/MXIbus system tree. To assist you in configuring the A16 window switches on the VXI-MXI interfaces in your system, the following pages include worksheets, an address map diagram, and an example.

The following steps are used in the example:

1. Identify the RM Mainframe and the MXIbus levels of your system. Determine the amount of A16 space required by each MXIbus device. See Figure 5-12 and Table 5-4.
2. Fill out the RM Mainframe information in Figure 5-15, Worksheet 1. In this example, the RM Mainframe needs 16 KB of A16 space, which rounds up to the next address break of 16 KB.
3. Next, analyze the first-level MXIbus links and complete a worksheet for each link. For our example, we fill out Figure 5-16, Worksheet 2, for MXIbus #1, which includes MXIbus Device A, MXIbus Device B, VXIbus Mainframe #2, and VXIbus Mainframe #3. MXIbus Device A needs 512 B of A16 space, which rounds up to address break 512. We fill in the worksheet accordingly. MXIbus Device B and VXIbus Mainframe #2 do not need any A16 space, so we put zeros in the worksheet for these devices. VXIbus Mainframe #3 needs 4 KB of A16, in addition to the amount of A16 required by MXIbus link #3 connected to it on Level 2.

4. Figure 5-17 is the worksheet for MXIbus #3, which includes VXIbus Mainframes #4 and #5. Mainframe #4 needs 2 KB and Mainframe #5 needs 1 KB of A16 space. We fill in the appropriate spaces on the worksheet.
5. Now we return to Figure 5-16 and fill in the MXIbus #3 information in the space for a second-level MXIbus link connected to VXIbus Mainframe #3. MXIbus #3 needs 2 KB for Mainframe #4 and 1 KB for Mainframe #5. The sum is 3 KB, which rounds up to the next address break of 4 KB. The amount of A16 space required for the window into VXIbus Mainframe #3 is 4 KB plus the 3 KB required by MXIbus #3, which rounds up to the next address break of 8 KB. We enter all of these numbers into the worksheet.
6. We now fill in Figure 5-15 for MXIbus #1. MXIbus #1 requires 512 bytes for MXIbus Device A and 8 KB for VXIbus Mainframe #3. The sum of these values rounds up to the nearest address break of 16 KB. We record this information on the worksheet.
7. Figure 5-15 is now completed for MXIbus #2. The only device on MXIbus #2 is VXIbus Mainframe #6, which needs 2 KB of A16 space. We enter this value into the worksheet.
8. The total amount of A16 space required by the system is now computed and found to be 34 KB, which rounds up to the next address break of 48 KB. This number does not exceed the maximum of 48 KB, so this configuration of A16 space is acceptable.
9. The next step is to determine the range of addresses, or base address, size, and direction of the A16 window for each VXI-MXI in the system. We first assign A16 space to the VXIbus RM Mainframe. From Figure 5-15, we see it needs 16 KB of A16 space, so we assign it the bottom 16 KB of A16 space, addresses 0 through 3FFF hex. See Figure 5-14 for a pictorial representation of this assignment.
10. Each first-level MXIbus link is connected to the RM through a VXI-MXI. The A16 window for MXIbus link #1 is 16 KB in size. We assign the next lowest available 16 KB portion of A16 space to MXIbus link #1, which is address range 4000 to 7FFF hex. (See Figure 5-14.) The base address of this window is 4000, which we enter into Figure 5-15. The Size field for the window is  $i$  where the size of the window =  $256 * 2^{8-i}$ .  $16 \text{ KB} = 256 * 2^{8-2}$ , so Size = 2. The direction of the window is in relation to the mainframe; therefore, Direction = *Out*.
11. The other first-level MXIbus link is MXIbus #2, which needs 2 KB of A16 space. The next lowest available 2 KB portion of A16 space is 8000 through 87FF hex. We set the base address of the window to 8000. To determine the Size value,  $2 \text{ KB} = 256 * 2^{8-5}$ , so Size = 5. The direction of the window is in relation to the mainframe; therefore, Direction = *Out*. We enter all of these values into the worksheet in Figure 5-15.
12. The VXI-MXI in VXIbus Mainframe #2 will be configured so that all A16 space is mapped outward, because the mainframe does not require any A16 space. To do this, we set Base = 0, Size = 0, and Direction = *Out*.
13. The VXI-MXI in VXIbus Mainframe #3 should be assigned the lowest available 8 KB of space assigned to MXIbus #1. Therefore, the base should be 4000 hex, and because  $8 \text{ KB} = 256 * 2^{8-3}$ , Size = 3. The direction of the window is in relation to the mainframe; therefore, it is *In*. The VXI-MXI connected to MXIbus #3 must be assigned a window within the range of addresses assigned to Mainframe #3. Devices in Mainframe #3 need 4 KB of the 8 KB assigned to the mainframe. The other 4 KB can be assigned to MXIbus #3. Therefore, we assign addresses 4000 to 4FFF hex to devices in Mainframe #3, and addresses

5000 through 5FFF to MXIbus #3. For the VXI-MXI connected to MXIbus #3, we set Base = 5000, Size = 4 because 4 KB =  $256 * 2^{8-4}$ , and the direction toward MXIbus #3, or *Out*.

14. The 4 KB assigned to MXIbus #3 is further divided between VXIbus Mainframes #4 and #5. We assigned the bottom portion, 5000 to 57FF, to VXIbus Mainframe #4, and the next portion, 5800 to 5BFF, to VXIbus Mainframe #5. Therefore, for VXIbus Mainframe #4, we assign Base = 5000, Size = 5 because 2 KB =  $256 * 2^{8-5}$ , and Direction = *In*. For VXIbus Mainframe #5, Base = 5800, Size = 6 because 1 KB =  $256 * 2^{8-6}$ , and Direction = *In*.

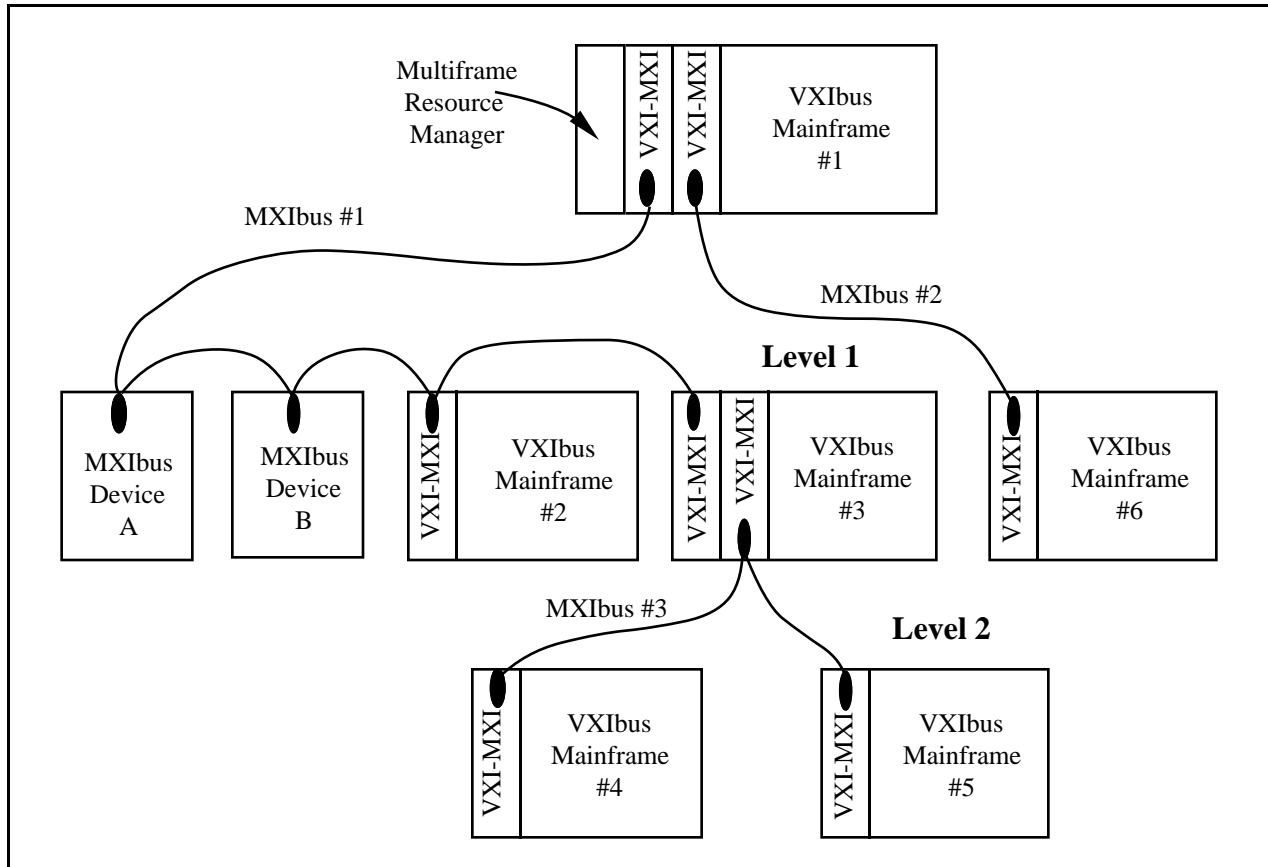


Figure 5-13. Example VXIbus/MXIbus System

Table 5-4. Example VXIbus/MXIbus System Required A16 Space

| Device              | Amount of A16 Space Required |
|---------------------|------------------------------|
| VXIbus Mainframe #1 | 16 KB                        |
| MXIbus Device A     | 512 B                        |
| MXIbus Device B     | 0 B                          |
| VXIbus Mainframe #2 | 0 B                          |
| VXIbus Mainframe #3 | 4 KB                         |
| VXIbus Mainframe #4 | 2 KB                         |
| VXIbus Mainframe #5 | 1 KB                         |
| VXIbus Mainframe #6 | 2 KB                         |

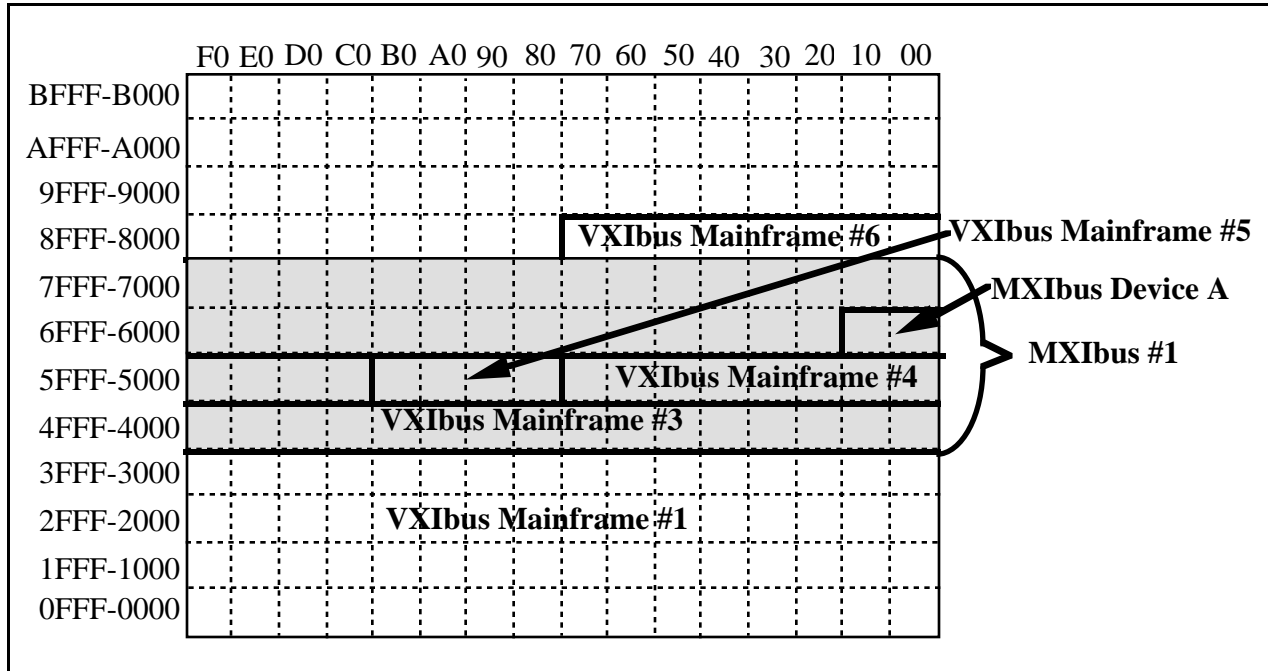


Figure 5-14. Example A16 Space Address Map

|                                                                              |                   |
|------------------------------------------------------------------------------|-------------------|
| <b>Resource Manager Mainframe:</b> <u>VXIbus Mainframe #1</u>                |                   |
| Amount of A16 space required for this mainframe:                             | <u>16K</u>        |
| Round up to next address break:                                              | * <u>16K</u>      |
| <b>First Level MXIbus Link:</b> <u>MXIbus #1</u>                             |                   |
| Amount of A16 space required for devices connected to this VXI-MXI:          | <u>8 KB + 512</u> |
| Round up to next address break:                                              | * <u>16K</u>      |
| <b>A16 Window:</b> Base: <u>4000</u> Size: <u>2</u> Direction: <u>Out</u>    |                   |
| <b>First Level MXIbus Link:</b> <u>MXIbus #2</u>                             |                   |
| Amount of A16 space required for devices connected to this VXI-MXI:          | <u>2K</u>         |
| Round up to next address break:                                              | * <u>2K</u>       |
| <b>A16 Window:</b> Base: <u>8000</u> Size: <u>5</u> Direction: <u>Out</u>    |                   |
| <b>First Level MXIbus Link:</b> _____                                        |                   |
| Amount of A16 space required for devices connected to this VXI-MXI:          | _____             |
| Round up to next address break:                                              | * _____           |
| <b>A16 Window:</b> Base: _____ Size: _____ Direction: _____                  |                   |
| <b>First Level MXIbus Link:</b> _____                                        |                   |
| Amount of A16 space required for devices connected to this VXI-MXI:          | _____             |
| Round up to next address break:                                              | * _____           |
| <b>A16 Window:</b> Base: _____ Size: _____ Direction: _____                  |                   |
| <b>Total Amount of A16 Space Required by System:</b>                         | <u>34K</u>        |
| (Add numbers after the "*")                                                  |                   |
| <b>Round up to next address break:</b>                                       | <u>48K</u>        |
| (If this number is greater than 48K bytes reorganize devices and try again.) |                   |

Figure 5-15. Worksheet 1 for A16 Address Map Example

|                                                                                      |                           |                           |            |
|--------------------------------------------------------------------------------------|---------------------------|---------------------------|------------|
| <b>MXIbus Link:</b> <u>                  MXIbus #1                  </u>             |                           |                           |            |
| <b>Device:</b> <u>                  MXIbus Device A                  </u>            |                           |                           |            |
| Amount of A16 space required by this device:                                         |                           |                           | <u>512</u> |
| A16 space requirement for each second level MXIbus link connected to this device:    |                           |                           |            |
| #1 <u>          </u> + #2 <u>          </u> =                                        |                           |                           | <u>0</u>   |
| Round up to next address break:                                                      |                           |                           |            |
| Total amount of A16 space required for this window:                                  |                           | =                         | <u>512</u> |
| Round up total amount to the next address size break:                                |                           | *                         | <u>512</u> |
| <b>First Level VXI-MXI:</b>                                                          |                           |                           |            |
| A16 Window: Base:                                                                    | Size:                     | Direction:                |            |
| <u>                  </u>                                                            | <u>                  </u> | <u>                  </u> |            |
| <b>Second Level VXI-MXI #1:</b> <u>                  </u>                            |                           |                           |            |
| A16 Window: Base:                                                                    | Size:                     | Direction:                |            |
| <u>                  </u>                                                            | <u>                  </u> | <u>                  </u> |            |
| <b>Second Level VXI-MXI #2:</b> <u>                  </u>                            |                           |                           |            |
| A16 Window: Base:                                                                    | Size:                     | Direction:                |            |
| <u>                  </u>                                                            | <u>                  </u> | <u>                  </u> |            |
| <b>Device:</b> <u>                  MXIbus Device B                  </u>            |                           |                           |            |
| Amount of A16 space required by this device:                                         |                           |                           | <u>0</u>   |
| A16 space requirement for each second level MXIbus link connected to this device:    |                           |                           |            |
| #1 <u>          </u> + #2 <u>          </u> =                                        |                           |                           | <u>0</u>   |
| Round up to next address break:                                                      |                           |                           |            |
| Total amount of A16 space required for this window:                                  |                           | =                         | <u>0</u>   |
| Round up total amount to the next address size break:                                |                           | *                         | <u>0</u>   |
| <b>First Level VXI-MXI:</b>                                                          |                           |                           |            |
| A16 Window: Base:                                                                    | Size:                     | Direction:                |            |
| <u>                  </u>                                                            | <u>                  </u> | <u>                  </u> |            |
| <b>Second Level VXI-MXI #1:</b> <u>                  </u>                            |                           |                           |            |
| A16 Window: Base:                                                                    | Size:                     | Direction:                |            |
| <u>                  </u>                                                            | <u>                  </u> | <u>                  </u> |            |
| <b>Second Level VXI-MXI #2:</b> <u>                  </u>                            |                           |                           |            |
| A16 Window: Base:                                                                    | Size:                     | Direction:                |            |
| <u>                  </u>                                                            | <u>                  </u> | <u>                  </u> |            |
| <b>Device:</b> <u>                  VXIbus Mainframe #2                  </u>        |                           |                           |            |
| Amount of A16 space required by this device:                                         |                           |                           | <u>0</u>   |
| A16 space requirement for each second level MXIbus link connected to this device:    |                           |                           |            |
| #1 <u>          </u> + #2 <u>          </u> =                                        |                           |                           | <u>0</u>   |
| Round up to next address break:                                                      |                           |                           |            |
| Total amount of A16 space required for this window:                                  |                           | =                         | <u>0</u>   |
| Round up total amount to the next address size break:                                |                           | *                         | <u>0</u>   |
| <b>First Level VXI-MXI:</b>                                                          |                           |                           |            |
| A16 Window: Base:                                                                    | Size:                     | Direction:                |            |
| <u>0000</u>                                                                          | <u>0</u>                  | <u>Out</u>                |            |
| <b>Second Level VXI-MXI #1:</b> <u>                  </u>                            |                           |                           |            |
| A16 Window: Base:                                                                    | Size:                     | Direction:                |            |
| <u>                  </u>                                                            | <u>                  </u> | <u>                  </u> |            |
| <b>Second Level VXI-MXI #2:</b> <u>                  </u>                            |                           |                           |            |
| A16 Window: Base:                                                                    | Size:                     | Direction:                |            |
| <u>                  </u>                                                            | <u>                  </u> | <u>                  </u> |            |
| <b>Device:</b> <u>                  VXIbus Mainframe #3                  </u>        |                           |                           |            |
| Amount of A16 space required by this device:                                         |                           |                           | <u>4K</u>  |
| A16 space requirement for each second level MXIbus link connected to this device:    |                           |                           |            |
| #1 <u>2K + 1K</u> + #2 <u>          </u> =                                           |                           |                           | <u>3K</u>  |
| Round up to next address break:                                                      |                           |                           | <u>4K</u>  |
| Total amount of A16 space required for this window:                                  |                           | =                         | <u>7K</u>  |
| Round up total amount to the next address size break:                                |                           | *                         | <u>8K</u>  |
| <b>First Level VXI-MXI:</b>                                                          |                           |                           |            |
| A16 Window: Base:                                                                    | Size:                     | Direction:                |            |
| <u>4000</u>                                                                          | <u>3</u>                  | <u>In</u>                 |            |
| <b>Second Level VXI-MXI #1:</b> <u>                  MXIbus #3                  </u> |                           |                           |            |
| A16 Window: Base:                                                                    | Size:                     | Direction:                |            |
| <u>5000</u>                                                                          | <u>4</u>                  | <u>Out</u>                |            |
| <b>Second Level VXI-MXI #2:</b> <u>                  </u>                            |                           |                           |            |
| A16 Window: Base:                                                                    | Size:                     | Direction:                |            |
| <u>                  </u>                                                            | <u>                  </u> | <u>                  </u> |            |

Figure 5-16. Worksheet 2 for A16 Map Example





## Worksheets for Planning Your VXIbus/MXIbus A16 Address Map

Use the worksheets on the following pages for planning an A16 address map for your VXIbus/MXIbus system. Follow the procedures used to fill out the worksheets for the sample VXIbus/MXIbus system.

|           | F0 | E0 | D0 | C0 | B0 | A0 | 90 | 80 | 70 | 60 | 50 | 40 | 30 | 20 | 10 | 00 |
|-----------|----|----|----|----|----|----|----|----|----|----|----|----|----|----|----|----|
| BFFF-B000 |    |    |    |    |    |    |    |    |    |    |    |    |    |    |    |    |
| AFFF-A000 |    |    |    |    |    |    |    |    |    |    |    |    |    |    |    |    |
| 9FFF-9000 |    |    |    |    |    |    |    |    |    |    |    |    |    |    |    |    |
| 8FFF-8000 |    |    |    |    |    |    |    |    |    |    |    |    |    |    |    |    |
| 7FFF-7000 |    |    |    |    |    |    |    |    |    |    |    |    |    |    |    |    |
| 6FFF-6000 |    |    |    |    |    |    |    |    |    |    |    |    |    |    |    |    |
| 5FFF-5000 |    |    |    |    |    |    |    |    |    |    |    |    |    |    |    |    |
| 4FFF-4000 |    |    |    |    |    |    |    |    |    |    |    |    |    |    |    |    |
| 3FFF-3000 |    |    |    |    |    |    |    |    |    |    |    |    |    |    |    |    |
| 2FFF-2000 |    |    |    |    |    |    |    |    |    |    |    |    |    |    |    |    |
| 1FFF-1000 |    |    |    |    |    |    |    |    |    |    |    |    |    |    |    |    |
| 0FFF-0000 |    |    |    |    |    |    |    |    |    |    |    |    |    |    |    |    |

|                                                                               |         |
|-------------------------------------------------------------------------------|---------|
| <b>Resource Manager Mainframe:</b> _____                                      |         |
| Amount of A16 space required for this mainframe:                              | _____   |
| Round up to next address break:                                               | * _____ |
| <b>First Level MXIbus Link:</b> _____                                         |         |
| Amount of A16 space required for devices connected to this VXI-MXI:           | _____   |
| Round up to next address break:                                               | * _____ |
| <b>A16 Window:</b> Base: _____ Size: _____ Direction: _____                   |         |
| <b>First Level MXIbus Link:</b> _____                                         |         |
| Amount of A16 space required for devices connected to this VXI-MXI:           | _____   |
| Round up to next address break:                                               | * _____ |
| <b>A16 Window:</b> Base: _____ Size: _____ Direction: _____                   |         |
| <b>First Level MXIbus Link:</b> _____                                         |         |
| Amount of A16 space required for devices connected to this VXI-MXI:           | _____   |
| Round up to next address break:                                               | * _____ |
| <b>A16 Window:</b> Base: _____ Size: _____ Direction: _____                   |         |
| <b>First Level MXIbus Link:</b> _____                                         |         |
| Amount of A16 space required for devices connected to this VXI-MXI:           | _____   |
| Round up to next address break:                                               | * _____ |
| <b>A16 Window:</b> Base: _____ Size: _____ Direction: _____                   |         |
| <b>Total Amount of A16 Space Required by System:</b> _____                    |         |
| (Add numbers after the "*")                                                   |         |
| <b>Round up to next address break:</b> _____                                  |         |
| (If this number is greater than 48K bytes, reorganize devices and try again.) |         |

|                                                                                   |                         |                  |       |
|-----------------------------------------------------------------------------------|-------------------------|------------------|-------|
| <b>MXIbus Link:</b> _____                                                         |                         |                  |       |
| <b>Device:</b> _____                                                              |                         |                  |       |
| Amount of A16 space required by this device:                                      |                         |                  | _____ |
| A16 space requirement for each second level MXIbus link connected to this device: |                         |                  | _____ |
| Round up to next address break:                                                   | #1 _____ + #2 _____ =   | _____            | _____ |
| Total amount of A16 space required for this window:                               | _____ =                 | _____            | _____ |
| Round up total amount to the next address size break:                             | _____ *                 | _____            | _____ |
| <b>First Level VXI-MXI:</b>                                                       |                         |                  |       |
| <b>A16 Window:</b>                                                                | Base: _____ Size: _____ | Direction: _____ | _____ |
| <b>Second Level VXI-MXI #1:</b> _____                                             |                         |                  |       |
| <b>A16 Window:</b>                                                                | Base: _____ Size: _____ | Direction: _____ | _____ |
| <b>Second Level VXI-MXI #2:</b> _____                                             |                         |                  |       |
| <b>A16 Window:</b>                                                                | Base: _____ Size: _____ | Direction: _____ | _____ |
| <b>Device:</b> _____                                                              |                         |                  |       |
| Amount of A16 space required by this device:                                      |                         |                  | _____ |
| A16 space requirement for each second level MXIbus link connected to this device: |                         |                  | _____ |
| Round up to next address break:                                                   | #1 _____ + #2 _____ =   | _____            | _____ |
| Total amount of A16 space required for this window:                               | _____ =                 | _____            | _____ |
| Round up total amount to the next address size break:                             | _____ *                 | _____            | _____ |
| <b>First Level VXI-MXI:</b>                                                       |                         |                  |       |
| <b>A16 Window:</b>                                                                | Base: _____ Size: _____ | Direction: _____ | _____ |
| <b>Second Level VXI-MXI #1:</b> _____                                             |                         |                  |       |
| <b>A16 Window:</b>                                                                | Base: _____ Size: _____ | Direction: _____ | _____ |
| <b>Second Level VXI-MXI #2:</b> _____                                             |                         |                  |       |
| <b>A16 Window:</b>                                                                | Base: _____ Size: _____ | Direction: _____ | _____ |
| <b>Device:</b> _____                                                              |                         |                  |       |
| Amount of A16 space required by this device:                                      |                         |                  | _____ |
| A16 space requirement for each second level MXIbus link connected to this device: |                         |                  | _____ |
| Round up to next address break:                                                   | #1 _____ + #2 _____ =   | _____            | _____ |
| Total amount of A16 space required for this window:                               | _____ =                 | _____            | _____ |
| Round up total amount to the next address size break:                             | _____ *                 | _____            | _____ |
| <b>First Level VXI-MXI:</b>                                                       |                         |                  |       |
| <b>A16 Window:</b>                                                                | Base: _____ Size: _____ | Direction: _____ | _____ |
| <b>Second Level VXI-MXI #1:</b> _____                                             |                         |                  |       |
| <b>A16 Window:</b>                                                                | Base: _____ Size: _____ | Direction: _____ | _____ |
| <b>Second Level VXI-MXI #2:</b> _____                                             |                         |                  |       |
| <b>A16 Window:</b>                                                                | Base: _____ Size: _____ | Direction: _____ | _____ |
| <b>Device:</b> _____                                                              |                         |                  |       |
| Amount of A16 space required by this device:                                      |                         |                  | _____ |
| A16 space requirement for each second level MXIbus link connected to this device: |                         |                  | _____ |
| Round up to next address break:                                                   | #1 _____ + #2 _____ =   | _____            | _____ |
| Total amount of A16 space required for this window:                               | _____ =                 | _____            | _____ |
| Round up total amount to the next address size break:                             | _____ *                 | _____            | _____ |
| <b>First Level VXI-MXI:</b>                                                       |                         |                  |       |
| <b>A16 Window:</b>                                                                | Base: _____ Size: _____ | Direction: _____ | _____ |
| <b>Second Level VXI-MXI #1:</b> _____                                             |                         |                  |       |
| <b>A16 Window:</b>                                                                | Base: _____ Size: _____ | Direction: _____ | _____ |
| <b>Second Level VXI-MXI #2:</b> _____                                             |                         |                  |       |
| <b>A16 Window:</b>                                                                | Base: _____ Size: _____ | Direction: _____ | _____ |

|                                                                                   |             |                    |                  |
|-----------------------------------------------------------------------------------|-------------|--------------------|------------------|
| <b>MXIbus Link:</b> _____                                                         |             |                    |                  |
| <b>Device:</b> _____                                                              |             |                    |                  |
| Amount of A16 space required by this device:                                      |             |                    | _____            |
| A16 space requirement for each second level MXIbus link connected to this device: |             |                    | _____            |
|                                                                                   | #1          | _____ + #2 _____ = | _____            |
| Round up to next address break:                                                   |             |                    | _____            |
| Total amount of A16 space required for this window:                               |             |                    | _____            |
| Round up total amount to the next address size break:                             |             |                    | * _____          |
| <b>First Level VXI-MXI:</b>                                                       |             |                    |                  |
| <b>A16 Window:</b>                                                                | Base: _____ | Size: _____        | Direction: _____ |
| <b>Second Level VXI-MXI #1:</b> _____                                             |             |                    |                  |
| <b>A16 Window:</b>                                                                | Base: _____ | Size: _____        | Direction: _____ |
| <b>Second Level VXI-MXI #2:</b> _____                                             |             |                    |                  |
| <b>A16 Window:</b>                                                                | Base: _____ | Size: _____        | Direction: _____ |
| <b>Device:</b> _____                                                              |             |                    |                  |
| Amount of A16 space required by this device:                                      |             |                    | _____            |
| A16 space requirement for each second level MXIbus link connected to this device: |             |                    | _____            |
|                                                                                   | #1          | _____ + #2 _____ = | _____            |
| Round up to next address break:                                                   |             |                    | _____            |
| Total amount of A16 space required for this window:                               |             |                    | _____            |
| Round up total amount to the next address size break:                             |             |                    | * _____          |
| <b>First Level VXI-MXI:</b>                                                       |             |                    |                  |
| <b>A16 Window:</b>                                                                | Base: _____ | Size: _____        | Direction: _____ |
| <b>Second Level VXI-MXI #1:</b> _____                                             |             |                    |                  |
| <b>A16 Window:</b>                                                                | Base: _____ | Size: _____        | Direction: _____ |
| <b>Second Level VXI-MXI #2:</b> _____                                             |             |                    |                  |
| <b>A16 Window:</b>                                                                | Base: _____ | Size: _____        | Direction: _____ |
| <b>Device:</b> _____                                                              |             |                    |                  |
| Amount of A16 space required by this device:                                      |             |                    | _____            |
| A16 space requirement for each second level MXIbus link connected to this device: |             |                    | _____            |
|                                                                                   | #1          | _____ + #2 _____ = | _____            |
| Round up to next address break:                                                   |             |                    | _____            |
| Total amount of A16 space required for this window:                               |             |                    | _____            |
| Round up total amount to the next address size break:                             |             |                    | * _____          |
| <b>First Level VXI-MXI:</b>                                                       |             |                    |                  |
| <b>A16 Window:</b>                                                                | Base: _____ | Size: _____        | Direction: _____ |
| <b>Second Level VXI-MXI #1:</b> _____                                             |             |                    |                  |
| <b>A16 Window:</b>                                                                | Base: _____ | Size: _____        | Direction: _____ |
| <b>Second Level VXI-MXI #2:</b> _____                                             |             |                    |                  |
| <b>A16 Window:</b>                                                                | Base: _____ | Size: _____        | Direction: _____ |
| <b>Device:</b> _____                                                              |             |                    |                  |
| Amount of A16 space required by this device:                                      |             |                    | _____            |
| A16 space requirement for each second level MXIbus link connected to this device: |             |                    | _____            |
|                                                                                   | #1          | _____ + #2 _____ = | _____            |
| Round up to next address break:                                                   |             |                    | _____            |
| Total amount of A16 space required for this window:                               |             |                    | _____            |
| Round up total amount to the next address size break:                             |             |                    | * _____          |
| <b>First Level VXI-MXI:</b>                                                       |             |                    |                  |
| <b>A16 Window:</b>                                                                | Base: _____ | Size: _____        | Direction: _____ |
| <b>Second Level VXI-MXI #1:</b> _____                                             |             |                    |                  |
| <b>A16 Window:</b>                                                                | Base: _____ | Size: _____        | Direction: _____ |
| <b>Second Level VXI-MXI #2:</b> _____                                             |             |                    |                  |
| <b>A16 Window:</b>                                                                | Base: _____ | Size: _____        | Direction: _____ |

|                                                                                   |                       |             |                  |
|-----------------------------------------------------------------------------------|-----------------------|-------------|------------------|
| <b>MXIbus Link:</b> _____                                                         |                       |             |                  |
| <b>Device:</b> _____                                                              |                       |             |                  |
| Amount of A16 space required by this device:                                      |                       |             | _____            |
| A16 space requirement for each second level MXIbus link connected to this device: |                       |             | _____            |
| Round up to next address break:                                                   | #1 _____ + #2 _____ = | _____       | _____            |
| Total amount of A16 space required for this window:                               | _____ =               | _____       | _____            |
| Round up total amount to the next address size break:                             | _____ *               | _____       | _____            |
| <b>First Level VXI-MXI:</b>                                                       |                       |             |                  |
| <b>A16 Window:</b>                                                                | Base: _____           | Size: _____ | Direction: _____ |
| <b>Second Level VXI-MXI #1:</b> _____                                             |                       |             |                  |
| <b>A16 Window:</b>                                                                | Base: _____           | Size: _____ | Direction: _____ |
| <b>Second Level VXI-MXI #2:</b> _____                                             |                       |             |                  |
| <b>A16 Window:</b>                                                                | Base: _____           | Size: _____ | Direction: _____ |
| <b>Device:</b> _____                                                              |                       |             |                  |
| Amount of A16 space required by this device:                                      |                       |             | _____            |
| A16 space requirement for each second level MXIbus link connected to this device: |                       |             | _____            |
| Round up to next address break:                                                   | #1 _____ + #2 _____ = | _____       | _____            |
| Total amount of A16 space required for this window:                               | _____ =               | _____       | _____            |
| Round up total amount to the next address size break:                             | _____ *               | _____       | _____            |
| <b>First Level VXI-MXI:</b>                                                       |                       |             |                  |
| <b>A16 Window:</b>                                                                | Base: _____           | Size: _____ | Direction: _____ |
| <b>Second Level VXI-MXI #1:</b> _____                                             |                       |             |                  |
| <b>A16 Window:</b>                                                                | Base: _____           | Size: _____ | Direction: _____ |
| <b>Second Level VXI-MXI #2:</b> _____                                             |                       |             |                  |
| <b>A16 Window:</b>                                                                | Base: _____           | Size: _____ | Direction: _____ |
| <b>Device:</b> _____                                                              |                       |             |                  |
| Amount of A16 space required by this device:                                      |                       |             | _____            |
| A16 space requirement for each second level MXIbus link connected to this device: |                       |             | _____            |
| Round up to next address break:                                                   | #1 _____ + #2 _____ = | _____       | _____            |
| Total amount of A16 space required for this window:                               | _____ =               | _____       | _____            |
| Round up total amount to the next address size break:                             | _____ *               | _____       | _____            |
| <b>First Level VXI-MXI:</b>                                                       |                       |             |                  |
| <b>A16 Window:</b>                                                                | Base: _____           | Size: _____ | Direction: _____ |
| <b>Second Level VXI-MXI #1:</b> _____                                             |                       |             |                  |
| <b>A16 Window:</b>                                                                | Base: _____           | Size: _____ | Direction: _____ |
| <b>Second Level VXI-MXI #2:</b> _____                                             |                       |             |                  |
| <b>A16 Window:</b>                                                                | Base: _____           | Size: _____ | Direction: _____ |
| <b>Device:</b> _____                                                              |                       |             |                  |
| Amount of A16 space required by this device:                                      |                       |             | _____            |
| A16 space requirement for each second level MXIbus link connected to this device: |                       |             | _____            |
| Round up to next address break:                                                   | #1 _____ + #2 _____ = | _____       | _____            |
| Total amount of A16 space required for this window:                               | _____ =               | _____       | _____            |
| Round up total amount to the next address size break:                             | _____ *               | _____       | _____            |
| <b>First Level VXI-MXI:</b>                                                       |                       |             |                  |
| <b>A16 Window:</b>                                                                | Base: _____           | Size: _____ | Direction: _____ |
| <b>Second Level VXI-MXI #1:</b> _____                                             |                       |             |                  |
| <b>A16 Window:</b>                                                                | Base: _____           | Size: _____ | Direction: _____ |
| <b>Second Level VXI-MXI #2:</b> _____                                             |                       |             |                  |
| <b>A16 Window:</b>                                                                | Base: _____           | Size: _____ | Direction: _____ |

|                                                                                   |                         |                  |       |
|-----------------------------------------------------------------------------------|-------------------------|------------------|-------|
| <b>MXIbus Link:</b> _____                                                         |                         |                  |       |
| <b>Device:</b> _____                                                              |                         |                  |       |
| Amount of A16 space required by this device:                                      |                         |                  | _____ |
| A16 space requirement for each second level MXIbus link connected to this device: |                         |                  | _____ |
| Round up to next address break:                                                   | #1 _____ + #2 _____ =   | _____            | _____ |
| Total amount of A16 space required for this window:                               | _____ =                 | _____            | _____ |
| Round up total amount to the next address size break:                             | _____ *                 | _____            | _____ |
| <b>First Level VXI-MXI:</b>                                                       |                         |                  |       |
| <b>A16 Window:</b>                                                                | Base: _____ Size: _____ | Direction: _____ | _____ |
| <b>Second Level VXI-MXI #1:</b> _____                                             |                         |                  |       |
| <b>A16 Window:</b>                                                                | Base: _____ Size: _____ | Direction: _____ | _____ |
| <b>Second Level VXI-MXI #2:</b> _____                                             |                         |                  |       |
| <b>A16 Window:</b>                                                                | Base: _____ Size: _____ | Direction: _____ | _____ |
| <b>Device:</b> _____                                                              |                         |                  |       |
| Amount of A16 space required by this device:                                      |                         |                  | _____ |
| A16 space requirement for each second level MXIbus link connected to this device: |                         |                  | _____ |
| Round up to next address break:                                                   | #1 _____ + #2 _____ =   | _____            | _____ |
| Total amount of A16 space required for this window:                               | _____ =                 | _____            | _____ |
| Round up total amount to the next address size break:                             | _____ *                 | _____            | _____ |
| <b>First Level VXI-MXI:</b>                                                       |                         |                  |       |
| <b>A16 Window:</b>                                                                | Base: _____ Size: _____ | Direction: _____ | _____ |
| <b>Second Level VXI-MXI #1:</b> _____                                             |                         |                  |       |
| <b>A16 Window:</b>                                                                | Base: _____ Size: _____ | Direction: _____ | _____ |
| <b>Second Level VXI-MXI #2:</b> _____                                             |                         |                  |       |
| <b>A16 Window:</b>                                                                | Base: _____ Size: _____ | Direction: _____ | _____ |
| <b>Device:</b> _____                                                              |                         |                  |       |
| Amount of A16 space required by this device:                                      |                         |                  | _____ |
| A16 space requirement for each second level MXIbus link connected to this device: |                         |                  | _____ |
| Round up to next address break:                                                   | #1 _____ + #2 _____ =   | _____            | _____ |
| Total amount of A16 space required for this window:                               | _____ =                 | _____            | _____ |
| Round up total amount to the next address size break:                             | _____ *                 | _____            | _____ |
| <b>First Level VXI-MXI:</b>                                                       |                         |                  |       |
| <b>A16 Window:</b>                                                                | Base: _____ Size: _____ | Direction: _____ | _____ |
| <b>Second Level VXI-MXI #1:</b> _____                                             |                         |                  |       |
| <b>A16 Window:</b>                                                                | Base: _____ Size: _____ | Direction: _____ | _____ |
| <b>Second Level VXI-MXI #2:</b> _____                                             |                         |                  |       |
| <b>A16 Window:</b>                                                                | Base: _____ Size: _____ | Direction: _____ | _____ |
| <b>Device:</b> _____                                                              |                         |                  |       |
| Amount of A16 space required by this device:                                      |                         |                  | _____ |
| A16 space requirement for each second level MXIbus link connected to this device: |                         |                  | _____ |
| Round up to next address break:                                                   | #1 _____ + #2 _____ =   | _____            | _____ |
| Total amount of A16 space required for this window:                               | _____ =                 | _____            | _____ |
| Round up total amount to the next address size break:                             | _____ *                 | _____            | _____ |
| <b>First Level VXI-MXI:</b>                                                       |                         |                  |       |
| <b>A16 Window:</b>                                                                | Base: _____ Size: _____ | Direction: _____ | _____ |
| <b>Second Level VXI-MXI #1:</b> _____                                             |                         |                  |       |
| <b>A16 Window:</b>                                                                | Base: _____ Size: _____ | Direction: _____ | _____ |
| <b>Second Level VXI-MXI #2:</b> _____                                             |                         |                  |       |
| <b>A16 Window:</b>                                                                | Base: _____ Size: _____ | Direction: _____ | _____ |

## Multiframe RM Operation

On power-up, all MXIbus devices are isolated from each other because all address mapping windows are disabled. The multiframe RM performs the following:

- Identifies all devices in the system
- Manages system self-tests
- Configures and enables the address map windows for logical addresses, A16, A24, and A32
- Establishes initial Commander/Servant system hierarchy
- Initiates normal system operation

### Configuring the Logical Address Window

To identify all devices in the VXIbus/MXIbus system, the RM performs the following steps, starting where the RM is located.

1. If the multiframe RM resides in a PC, it scans all logical addresses from 1 to FE (the RM is at address 0) to find all devices. For each logical address, it reads the VXIbus ID Register (located at offset 0 within the device's configuration space). If the read is successful (that is, no BERR), a device is present at that logical address. If the read returns a BERR, no device is present at that logical address. The RM records all logical addresses found. For each VXI-MXI found, it performs Step 2.

If the multiframe RM is in a VXIbus mainframe, it performs Step 2 for the mainframe in which the RM is installed.

2. For the current mainframe, the RM does the following:
  - A. Scans all logical addresses (0 to FF) in the mainframe to find all static configuration (SC) and dynamic configuration (DC) devices, skipping over logical addresses occupied by previously encountered devices. Finds the Slot 0 device and uses it to move all DC devices in the mainframe to the lowest unused logical addresses. Records all logical addresses found and allocated.

Notice that it is not possible to detect duplicate logical addresses because devices are found by reading the VXIbus ID Register. If two devices share a logical address, they will both respond to an address access without any indication of an error.

- B. For each VXI-MXI found in the mainframe, starting with the lowest addressed VXI-MXI, the RM:
  - i. Sets the VXI-MXI logical address window to map all of the logical address space outward and enables the window.
  - ii. Scans all logical addresses (0 to FF) in the window, skipping logical addresses occupied by previously encountered devices.
  - iii. For each VXI-MXI found in Step ii, starting with the lowest addressed VXI-MXI, the RM:
    - a. Sets the VXI-MXI logical address mapping window to map all of the logical address space inward and enables the window.

- b. Repeats Step 2 recursively.
- c. Sets the VXI-MXI inward logical address mapping window to cover the range up to (but not including) the VXI-MXI with the next highest logical address that was found in the logical address space.
- iv. Sets the VXI-MXI outward logical address mapping window to cover the range of the devices connected to that extender.

### Configuring the Logical Address Window Example

This example illustrates how the multiframe RM identifies devices in a VXIbus/MXIbus system and configures the logical address windows. The system used is the example VXIbus/MXIbus system shown in Figure 5-5. Table 5-5 shows the logical addresses we assigned to the devices in that system before bringing up the system. MXIbus devices can only be statically configured for the RM to find all devices connected on a MXIbus link. Therefore, each device must have a logical address that was configured before system power-up.

Table 5-5. Logical Address Assignments for Example VXIbus/MXIbus System

| Device                                                                                | Logical Address Assignments |
|---------------------------------------------------------------------------------------|-----------------------------|
| VXIbus Mainframe #1:<br>Multiframe RM<br>VXI-MXI on MXIbus #1<br>VXI-MXI on MXIbus #2 | 0<br>2<br>4                 |
| MXIbus Device A                                                                       | E0                          |
| MXIbus Device B                                                                       | E4                          |
| VXIbus Mainframe #2:<br>VXI-MXI                                                       | C0                          |
| VXIbus Mainframe #3:<br>VXI-MXI on MXIbus #1<br>VXI-MXI on MXIbus #3                  | 80<br>82                    |
| VXIbus Mainframe #4:<br>VXI-MXI                                                       | A0                          |
| VXIbus Mainframe #5:<br>VXI-MXI                                                       | B0                          |
| VXIbus Mainframe #6:<br>VXI-MXI                                                       | 10                          |



The RM performs the following steps:

1. Scans logical addresses (0 to FF) and identifies all devices in VXIbus Mainframe #1. Finds the VXI-MXIs at logical addresses 2 and 4 and moves DC devices to the lowest unused logical addresses (for example, 1, 3, 5, 6).
2. Enables the logical address window of the VXI-MXI found at logical address 2 for the entire outward mapping range of 0 to FF. Scans all logical addresses, skipping all previously encountered devices, and finds the VXI-MXI in VXIbus Mainframe #3, the VXI-MXI in VXIbus Mainframe #2, MXIbus Device A, and MXIbus Device B.
3. Enables the logical address window of the VXI-MXI in VXIbus Mainframe #3 for the entire inward mapping range of 0 to FF. Scans all logical addresses, skipping all previously encountered devices, and finds the VXI-MXI at logical address 82. Finds the Slot 0 device and uses it to move all DC devices in VXIbus Mainframe #3 to the lowest unused logical addresses (for example, 81, 83, 84, 85).
4. Enables the logical address window of the VXI-MXI found at logical address 82 for the entire outward mapping range of 0 to FF. Scans all logical addresses, skipping all previously encountered devices, and finds the VXI-MXI in VXIbus Mainframe #4 and the VXI-MXI in VXIbus Mainframe #5.
5. Enables the logical address window of the VXI-MXI in VXIbus Mainframe #4 for the entire inward mapping range of 0 to FF. Scans all logical addresses, skipping all previously encountered devices. Finds the Slot 0 device and uses it to move all DC devices in VXIbus Mainframe #4 to the lowest unused logical addresses. No more VXI-MXI interfaces are found. The RM enables the logical address window for the VXI-MXI in VXIbus Mainframe #4 with an inward range of A0 to AF hex by writing the value 64A0 hex to the Logical Address Window Register (Base/Size format).
6. Enables the logical address window of the VXI-MXI in VXIbus Mainframe #5 for the entire inward mapping range of 0 to FF. Scans all logical addresses, skipping all previously encountered devices and previously defined address ranges. Finds the Slot 0 device and uses it to move all DC devices in VXIbus Mainframe #5 to the lowest unused logical addresses. No more VXI-MXI interfaces are found. The RM enables the logical address window for the VXI-MXI in VXIbus Mainframe #5 with an inward range of B0 to BF hex by writing the value 64B0 hex to the Logical Address Window Register (Base/Size format).
7. Sets the logical address window of the VXI-MXI found at logical address 82 to cover the ranges of the VXI-MXI in VXIbus Mainframe #4 (A0 to AF) and the VXI-MXI in VXIbus Mainframe #5 (B0 to BF). Enables the logical address window of the VXI-MXI at logical address 82 with an outward range of A0 to BF by writing the value 43A0 hex to the Logical Address Window Register (Base/Size format).
8. Sets the logical address window of the VXI-MXI found in VXIbus Mainframe #3 at logical address 80 to cover the devices in that mainframe (80 to 8F) and the ranges required of its Level 2 devices: the VXI-MXI in VXIbus Mainframe #4 (A0 to AF) and the VXI-MXI in VXIbus Mainframe #5 (B0 to BF). Enables the logical address window of the VXI-MXI at logical address 80 with an inward range of 80 to BF by writing the value 6280 hex to the Logical Address Window Register (Base/Size format).

9. Enables the logical address window of the VXI-MXI in VXIbus Mainframe #2 for the entire inward mapping range of 0 to FF. Scans all logical addresses, skipping all previously encountered devices and defined ranges. Finds the Slot 0 device and uses it to move all DC devices in VXIbus Mainframe #2 to the lowest unused logical addresses. No more VXI-MXI interfaces are found. The RM enables the logical address window for the VXI-MXI in VXIbus Mainframe #2 with an inward range of C0 to DF hex by writing the value 63C0 hex to the Logical Address Window Register (Base/Size format).
10. Sets the logical address window of the VXI-MXI found in VXIbus Mainframe #1 at logical address 2 to cover the devices connected to that extender: the VXI-MXI in VXIbus Mainframe #3 (80 to BF), the VXI-MXI in VXIbus Mainframe #2 (C0 to DF), MXIbus Device A (E0 to E3), and MXIbus Device B (E4). Enables the logical address window of the VXI-MXI at logical address 2 with an outward range of 80 to FF by writing the value 4180 hex to the Logical Address Window Register (Base/Size format).
11. Enables the logical address window of the VXI-MXI found at logical address 4 for the entire outward mapping range of 0 to FF. Scans all logical addresses, skipping all previously encountered devices, and finds the VXI-MXI in VXIbus Mainframe #6.
12. Enables the logical address window of the VXI-MXI in VXIbus Mainframe #6 for the entire inward mapping range of 0 to FF. Scans all logical addresses, skipping all previously encountered devices and defined ranges, and finds the VXI-MXI at logical address 10. Finds the Slot 0 device and uses it to move all DC devices in VXIbus Mainframe #6 to the lowest unused logical addresses. No more VXI-MXI interfaces are found. The RM enables the logical address window for the VXI-MXI in VXIbus Mainframe #6 with an inward range of 10 to 17 hex by writing the value 6510 hex to the Logical Address Window Register (Base/Size format).
13. Sets the logical address window of the VXI-MXI found in VXIbus Mainframe #1 at logical address 4 to cover the devices connected to that extender: the VXI-MXI in VXIbus Mainframe #6 (10 to 17). Enables the logical address window of the VXI-MXI at logical address 4 with an outward range of 10 to 17 by writing the value 4510 hex to the Logical Address Window Register (Base/Size format).

## Configuring the A24 and A32 Addressing Windows

After the logical address space is configured for the system, the multiframe RM configures the A16, A24 and A32 address space. The logical address configuration forms a tree topology. Starting at the bottom of the tree and working up, add up the amount of memory needed by each mainframe and the devices on levels below it. That amount is then rounded up to the next power of 2 if the Base/Size format is used.

Starting at the root mainframe and working down each branch of the tree, assign memory starting with the largest memory window requirements at the top of the memory space, descending in order of window size and address location.

Each mainframe's A16, A24, and A32 address ranges define the address space occupied by the devices in that mainframe and on levels below that mainframe. These address ranges cannot overlap the defined range of any other mainframe unless that mainframe is on a level below the mainframe.

## **System Administration and Initiation**

System self-test administration, hierarchy configuration, and initiation of normal operation are handled as defined in the VXIbus specification. A general-purpose multiframe RM must wait five seconds before testing the Passed condition of each device, because no prescribed global mechanism is defined for monitoring all of the SYSFAIL signals in the system.

# Chapter 6

## Theory of Operation

---

A brief description of the VXI-MXI is given in Chapter 2 along with a functional block diagram (see Figure 2-1). The major elements of the VXI-MXI are discussed in more detail in this chapter. For a detailed discussion of the VXIbus, refer to the VXIbus specification and the VMEbus specification. For a description of MXIbus, refer to the MXIbus specification.

### VMEbus Address and Address Modifier Transceivers

The VMEbus address transceivers and associated logic control the direction of the VMEbus address lines and latch incoming address lines on the assertion edge of the VMEbus Address Strobe signal. The VMEbus Address Modifier lines are also controlled by this circuitry and are also latched on the assertion edge of the address strobe.

### VXIbus System Controller Functions

If the VXI-MXI is configured as the VMEbus System Controller, this circuitry provides the 16 MHz VMEbus system clock and the VMEbus data transfer bus arbiter. It also sources the CLK10 signal and provides a MODID register, as required for a VXIbus Slot 0 device.

The 16 MHz system clock driver is derived from an onboard clock with an accuracy of 100 ppm and a duty cycle of 50% ( $\pm 5\%$ ). The data transfer bus arbiter capability (PRI ARBITER) accepts bus requests from all four VMEbus requester levels, prioritizes the requests, and grants the bus to the highest priority requester.

The VXIbus specification requires Slot 0 devices to generate the VXIbus CLK10 signal on a differential ECL output. The VXI-MXI has the option to source this CLK10 signal with either an onboard 10 MHz clock with a 50% duty cycle or an external frequency source connected to the EXT CLK SMB connector on the front panel. The MODID register required for Slot 0 devices is used to control and monitor the MODID lines. In accordance with the VXIbus specification for a Slot 0 device, the VXI-MXI pulls up each MODID line with a 16.9 k resistor. When the VXI-MXI is not a Slot 0 device, the MODID0 line is pulled to ground with a 825 resistor.

### VMEbus Data Transceivers

The VMEbus data transceivers control the sending and receiving of data on the 32-bit data bus from the VMEbus.

## VMEbus Control Signals Transceivers

The VMEbus control signals transceivers control the sending and receiving of the VMEbus control signals such as address strobe (AS\*), the data strobes (DS1\*, DS0\*), longword (LWORD\*), write (WRITE\*), data transfer acknowledge (DTACK\*), and bus error (BERR\*). These signals indicate the beginning and end of a transfer, the size of data involved in the transfer (8, 16 or 32 bits), whether the transfer is a read or a write, and whether or not the transfer was successful.

## VMEbus Requester and Arbiter Circuitry

Through the VMEbus requester and arbiter circuitry, a remote MXIbus device can access main memory in the VXIbus system via the VMEbus. The arbiter circuitry is active on the VXI-MXI only if the VXI-MXI is configured as the VXI Slot 0 device.

The VXI-MXI requests use of the VMEbus when it detects a MXIbus address that maps through one of the mapping windows to the VMEbus. The VXI-MXI drives its VMEbus request line active to initiate arbitration for the VMEbus. When the VXI-MXI is the highest priority requesting device, it receives a bus grant signal indicating that the VMEbus is granted to the VXI-MXI. The VXI-MXI drives the VMEbus BBSY\* signal indicating that it owns the VMEbus, and then releases its bus request line.

A remote MXIbus device can lock the VMEbus so that it can perform indivisible operations across the VMEbus. When the LOCK bit in the Local Bus Lock Register is set by a MXIbus device, the VXI-MXI interface will not release the VMEbus once it is granted the bus (on the next transaction) until the LOCK bit is cleared by a MXIbus device.

## TTL and ECL Trigger Lines and CLK10 Circuitry

The VXIbus TTL trigger lines (TTLTRG[7-0]), ECL trigger lines (ECLTRG[1-0]), and CLK10 circuitry provide triggering and synchronization for intermodule and interchassis communication. For connecting trigger lines and clock signals between mainframes, the VXI-MXI front panel has a TRG IN (Trigger In), a TRG OUT (Trigger Out), and an EXT CLK (External Clock) SMB connector. Trigger lines can be mapped out of the VXIbus or routed into the mainframes via the TRG OUT and TRG IN front panel connectors so that VXIbus devices in one mainframe can be configured to trigger devices in other mainframes. By writing to the MXIbus Trigger Configuration Register, individual VXIbus trigger lines can be selectively driven from the TRG IN SMB connector or sourced to the TRG OUT SMB connector.

Using the Trigger Mode Selection Register and/or the Drive Triggers Register, the VXI-MXI can source and/or accept Asynchronous, Synchronous, Semi-synchronous, and Start/Stop trigger protocols, defined by the VXIbus specification, on any TTL or ECL Trigger Line. The VXI-MXI can be configured to generate an interrupt on the rising and/or falling edge of any trigger signal. This interrupt can be used to receive trigger protocols.

The Asynchronous protocol uses two trigger lines to communicate between a single source and a single acceptor. The source device initiates the operation by asserting the lower-numbered trigger line. The acceptor acknowledges by asserting the higher-numbered trigger line.

The Synchronous protocol is a single trigger line broadcast that does not require an acknowledge from its acceptors. The source must assert the trigger for a minimum of 30 ns and allow at least 50 ns between assertions. The rising edge or falling edge can be specified to initiate action in the receiver.

The Semi-synchronous protocol uses a single trigger line to communicate between a single source and multiple acceptors. The source device initiates the protocol by pulsing the trigger line for a minimum of 50 ns. The acceptors must then assert the same trigger line within 40 ns and release the line when each is ready for the next operation. The source sees the trigger line unasserted when all acceptors have released the trigger line, indicating that the operation is complete. The Trigger Mode Selection Register can be used to configure the VXI-MXI to source and receive the semi-synchronous protocol.

The Semi-synchronous protocol must be separated into two trigger lines when extended between two VXIbus mainframes: one line for the source and one line for the acceptor. Because acceptor devices must assert the trigger line within 40 ns in response to the source asserting the line, this protocol can only be used for short extensions.

The Start/Stop protocol is used to start and stop modules synchronously on the same 10 MHz clock. The Slot 0 device drives the selected trigger line and synchronizes it to the 10 MHz clock. When asserted, the trigger line indicates a Start signal. When unasserted, the trigger line indicates a Stop signal.

The VXI-MXI can be configured either to drive its 10 MHz VXIbus CLK10 signal to other mainframes or to receive a 10 MHz CLK10 signal from another mainframe via the EXT CLK SMB connector on the front panel. Multiple mainframes can be synchronized if configured to operate with the same 10 MHz CLK10 system clock.

## **SYSFAIL, ACFAIL, and SYSRESET**

The VMEbus signals SYSFAIL\*, ACFAIL\*, and SYSRESET\* can be individually monitored and driven by the VXI-MXI card. These three signals can also be used individually to generate an interrupt across the MXIbus IRQ line and/or one of the VMEbus interrupt request lines.

## **Interrupt Circuitry**

The MXIbus has one interrupt line, IRQ. This IRQ line can be mapped to or driven by any of the VMEbus interrupt lines IRQ[7-1]\* or driven by VMEbus signals SYSFAIL\*, ACFAIL\*, and/or SYSRESET\*, or the TRIGINT trigger interrupt. Registers in the MXIbus configuration space are used to configure the MXIbus IRQ\* line operation.

Five local VXI-MXI conditions can be enabled to drive the VMEbus interrupt lines: SYSFAIL\* asserted, ACFAIL\* asserted, the Backoff condition, a Trigger Synchronous interrupt condition, and a Trigger Asynchronous interrupt condition.

The Backoff condition occurs when the VXI-MXI is a MXIbus master arbitrating for the MXIbus and a MXIbus transfer requesting the VMEbus is received. This situation results in a deadlock condition. The MXIbus master circuitry must send a BERR\* to the VMEbus master initiating the MXIbus transfer so that the incoming MXIbus transfer can complete. The VMEbus master can monitor the backoff interrupt. If the interrupt occurs, the master should retry its last MXIbus operation because it did not complete due to the deadlock condition.

The two trigger interrupt conditions are Trigger Synchronous and Trigger Asynchronous. A synchronous trigger interrupt occurs when the input trigger signal changes from low to high. The asynchronous trigger interrupt occurs when the input trigger signal changes from high to low. These interrupts can be used to receive trigger protocols.

VMEbus interrupt requests can be handled by an interrupt handler on another VMEbus device in the VXIbus mainframe or by an external device on the MXIbus. The VXI-MXI has IACK daisy-chain driver circuitry that passes interrupt acknowledge cycles not meant for the VXI-MXI to other interrupters in the VXIbus mainframe. Similarly, the MXIbus has an IACK daisy-chain mechanism that converts and passes interrupt acknowledge cycles from VMEbus to MXIbus to VMEbus, making transparent interrupt acknowledge cycles possible between VXIbus mainframes. Because multiple VMEbus IRQ lines can be mapped onto the single MXIbus IRQ line, interrupt acknowledge sequences for MXIbus IRQ requests cannot be completely transparent. You can have completely transparent interrupt handling through the use of the INTX daughter card option, in which each VMEbus interrupt line is mapped on a separate signal.

When multiple VMEbus IRQ lines are mapped onto the single shared MXIbus IRQ line, the interrupt handler routine can acknowledge the interrupts in one of two ways.

1. If the interrupt handler cannot perform MXIbus IACK cycles, it must poll all MXIbus devices to determine the source of the MXIbus IRQ signal. The interrupt handler polls the MXIbus IRQ Configuration Register and the Interrupt Status Register of each VXI-MXI on the MXIbus link to determine which VMEbus IRQ line is being sourced onto the MXI IRQ line. The interrupt handler can then read from the corresponding IRQ acknowledge register on the VXI-MXI driving the MXIbus IRQ line to acknowledge the interrupt request.
2. If the interrupt handler can generate MXIbus IACK cycles, it is not necessary to poll MXIbus devices to find the source of the MXIbus IRQ signal. The interrupt handler can perform an IACK cycle for the VMEbus line onto which the MXIbus IRQ line is mapped in that frame. The VXI-MXI driving the MXIbus IRQ line responds with a Status/ID value in which the lower byte is the logical address of the VXI-MXI. The interrupt handler then polls the MXIbus IRQ Configuration Register and the Interrupt Status Register on the VXI-MXI at the logical address specified by the Status/ID value received to determine which VMEbus IRQ line is routed onto the MXIbus IRQ line. The interrupt handler can then read from the corresponding VXI-MXI IRQ acknowledge register to acknowledge the interrupt request.

When this process is completed and if another VMEbus IRQ is also driving the MXIbus IRQ, the interrupt handler module is interrupted again, and should follow the same procedure described above.

MXIbus defines a special interrupt acknowledge (IACK) cycle, which is denoted with a special MXIbus address modifier code, hex 12. When a VMEbus interrupt handler generates a VMEbus IACK cycle for an active interrupt request line that is mapped into its VXIbus mainframe from the MXIbus IRQ line, the VMEbus IACK cycle is converted into a MXIbus IACK cycle. The VXI-MXI driving the interrupt request initiates a VMEbus IACK cycle when it detects the MXIbus IACK cycle, and responds by driving its Status/ID on the data bus and asserting DTACK\*. The interrupt handler receives the Status/ID and DTACK\* from across the MXIbus as if it had been in the same mainframe as the VXI-MXI.

The Status/ID information returned by the remote VXI-MXI indicates its logical address. With this information, the interrupt handler can poll the remote VXI-MXI to determine which interrupt lines are mapped onto the MXIbus IRQ line and which interrupt lines are active. The interrupt is then acknowledged by reading the corresponding register shown in Table 6-1.

Multiple MXIbus devices can interrupt on the same interrupt line; therefore, a MXIbus interrupt acknowledge daisy-chain is required. The MXIbus GIN and GOUT signals are normally used for the arbitration bus grant in/bus grant out daisy-chain. However, when a MXIbus device initiates a MXIbus IACK cycle and drives the MXIbus address modifier code hex 12, the MXIbus GIN and GOUT lines are used as the interrupt acknowledge daisy-chain. The MXIbus System Controller starts the interrupt acknowledge daisy-chain when it detects the address modifier code hex 12. The interrupt acknowledge signal propagates down the daisy-chain to each MXIbus device. If the device is not interrupting the MXIbus, it passes the signal down the daisy-chain to the next device. If the MXIbus device is interrupting, the cycle is converted into a VMEbus IACK cycle.

A MXIbus device not capable of generating a MXIbus IACK cycle can service an interrupt in a remote VXIbus mainframe by reading from a designated address in the MXIbus configuration space on the remote VXI-MXI. The external device must know which VMEbus interrupt level it is servicing and read from the appropriate address. Table 6-1 shows the designated addresses for VMEbus IRQ[7-1].

Table 6-1. VXI-MXI Addresses for VMEbus Interrupt Levels

| VMEbus IRQ Line | VXI-MXI Configuration Register to Read        |
|-----------------|-----------------------------------------------|
| VMEbus IRQ1     | Interrupt Acknowledge 1 (VXI-MXI offset = 32) |
| VMEbus IRQ2     | Interrupt Acknowledge 2 (VXI-MXI offset = 34) |
| VMEbus IRQ3     | Interrupt Acknowledge 3 (VXI-MXI offset = 36) |
| VMEbus IRQ4     | Interrupt Acknowledge 4 (VXI-MXI offset = 38) |
| VMEbus IRQ5     | Interrupt Acknowledge 5 (VXI-MXI offset = 3A) |
| VMEbus IRQ6     | Interrupt Acknowledge 6 (VXI-MXI offset = 3C) |
| VMEbus IRQ7     | Interrupt Acknowledge 7 (VXI-MXI offset = 3E) |

Reading from one of the addresses listed in Table 6-1 initiates a VMEbus IACK cycle. The information sent back from the read is the VXIbus Status/ID information defined in the VXIbus specification. The lower byte of the Status/ID is the logical address of the responding interrupter. The upper byte is user defined.

When one of the local VXI-MXI interrupt conditions is serviced by an interrupt handler, the Status/ID information returned is as follows:

|       |       |       |           |       |         |         |        |
|-------|-------|-------|-----------|-------|---------|---------|--------|
| 15    | 14    | 13    | 12        | 11    | 10      | 9       | 8      |
| LINT3 | LINT2 | LINT1 | ACFAILINT | BKOFF | TRIGINT | SYSFAIL | ACFAIL |
| 7     | 6     | 5     | 4         | 3     | 2       | 1       | 0      |
| LADD7 | LADD6 | LADD5 | LADD4     | LADD3 | LADD2   | LADD1   | LADD0  |



The VMEbus interrupt lines can be individually driven by writing to the Interrupt Status/Control Register. When one of these interrupt requests is serviced by an interrupt handler, the information in the Status/ID Register is returned during the IACK cycle and the interrupt request is cleared.

## Parity Check and Generation

All MXIbus devices are required to generate even parity. The VXI-MXI always generates and checks parity on all 32 MXIbus address and data lines. If upper bytes of the address or data are not driven, these lines are pulled high by the MXIbus termination circuitry and do not affect the parity generation.

## A32, A24, A16, and LA Windows

Four addressing windows map in and out of the VXIbus mainframe. These windows represent the three VMEbus address spaces (A32, A24, and the lower 48 KB of A16) plus a dedicated window for mapping the VXIbus configuration space (the upper 16 KB of A16). For each window, the range that maps into the mainframe from the MXIbus to the VXIbus is whatever is left over from the window that maps out of the mainframe from the VXIbus to the MXIbus. VXI-MXI configuration registers are used to program these windows to indicate which addresses in each window are mapped onto the MXIbus.

## VXI-MXI Configuration Registers

The VXI-MXI configuration registers are accessible from both the VXIbus and the MXIbus and are used to configure the VXI-MXI. These registers are described in detail in Chapter 4, *Register Descriptions*.

When the VXI-MXI interface decodes a VMEbus address specifying the configuration space on the card, the least significant VMEbus address lines are used to specify the registers in configuration space and the VMEbus operation does not need to request control of the MXIbus. Similarly, when the VXI-MXI interface decodes a MXIbus address specifying configuration space on the card, the least significant MXIbus address lines are used to specify the registers in configuration space and the access does not need to request control of the VMEbus. Onboard circuitry automatically arbitrates between the MXIbus and VMEbus for use of the dual-ported configuration space and prevents deadlock conditions on configuration space accesses.

## MXIbus Master Mode State Machine

The VXI-MXI continuously compares VMEbus addresses and address modifiers to the four MXIbus addressing windows. When a VMEbus transfer involving an address corresponding to one of the outward mapping windows is detected, the VXI-MXI begins arbitrating for the MXIbus. The VXI-MXI can translate A32, A24, A16, D32, D16, and D08(E0) VMEbus transfers into corresponding MXIbus master mode transfers.

When the VXI-MXI wins ownership of the MXIbus, a MXIbus cycle is initiated and the VMEbus transfer is converted into a MXIbus transfer. The MXIbus address and address strobe are sent, followed by the data (if the transfer is a write) and a data strobe. The transfer is

complete when the responding device sends DTACK\* and the VXI-MXI releases the data strobe and address strobe. The VXI-MXI interface supports 8-bit, 16-bit, and 32-bit reads and writes across the MXIbus. The least significant data bit maps to MXIbus data line AD00 and the byte orientation on the MXIbus is standard 68000 format. Notice, however, that byte significance is not specified by MXIbus because MXIbus devices themselves are responsible for ensuring correct data ordering.

Communication across the MXIbus between devices in separate VXIbus mainframes appears as normal transfers to the devices. The bus cycles are mapped from one device through the addressing windows, across the MXIbus, and through address windows on the second device. The first device initiates the transfer with an address strobe and data strobe, and the second device responds by asserting DTACK\* or BERR\*. Figure 6-1 illustrates that a master device initiates a transfer on the VMEbus, which is converted into a MXIbus transfer, then back into a VMEbus transfer to reach the target slave.

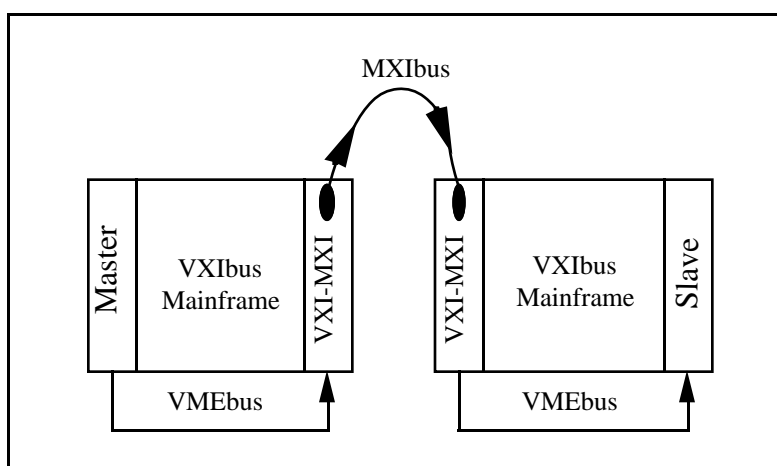


Figure 6-1. Master to Slave VMEbus/MXIbus Transfers

The VMEbus address lines map directly to the MXIbus address lines. The VMEbus requires six address modifier lines, while MXIbus only defines five. The VMEbus address modifier lines map to the MXIbus address modifier lines as shown in Table 6-2. The VXI-MXI responds to the VMEbus address modifier codes shown in Table 6-3.

Table 6-2. VMEbus to MXIbus Address Modifier Line Map

| VMEbus Address Modifier Line | MXIbus Address Modifier Line |
|------------------------------|------------------------------|
| VMEbus AM5                   | MXIbus AM4                   |
| VMEbus AM4                   | MXIbus AM3                   |
| VMEbus AM2                   | MXIbus AM2                   |
| VMEbus AM1                   | MXIbus AM1                   |
| VMEbus AM0                   | MXIbus AM0                   |

Table 6-3. Transfer Responses for VMEbus Address Modifiers

| AM5 | AM4 | AM3 | AM2 | AM1 | AM0 | Transfer Type                    |
|-----|-----|-----|-----|-----|-----|----------------------------------|
| H   | H   | H   | H   | H   | H   | A24 supervisory block transfer   |
| H   | H   | H   | H   | H   | L   | A24 supervisory program access   |
| H   | H   | H   | H   | L   | H   | A24 supervisory data access      |
| H   | H   | H   | L   | H   | H   | A24 nonprivileged block transfer |
| H   | H   | H   | L   | H   | L   | A24 nonprivileged program access |
| H   | H   | H   | L   | L   | H   | A24 nonprivileged data access    |
| H   | L   | H   | H   | L   | H   | A16 supervisory access           |
| H   | L   | H   | L   | H   | L   | MXIbus transparent IACK cycle    |
| H   | L   | H   | L   | L   | H   | A16 nonprivileged access         |
| L   | L   | H   | H   | H   | H   | A32 supervisory block transfer   |
| L   | L   | H   | H   | H   | L   | A32 supervisory program access   |
| L   | L   | H   | H   | L   | H   | A32 supervisory data access      |
| L   | L   | H   | L   | H   | H   | A32 nonprivileged block transfer |
| L   | L   | H   | L   | H   | L   | A32 nonprivileged program access |
| L   | L   | H   | L   | L   | H   | A32 nonprivileged data access    |

Information specifying the number of bytes and which bytes are involved in a VMEbus transfer is sent on data strobe lines DS1\* and DS0\*, address line A01, and the LWORD\* line. During MXIbus transfers, the same information is transferred on the Size line, and Address/Data lines 1 and 0 (AD01 and AD00). The VMEbus transfer size information is converted into MXIbus transfer size information during a MXIbus master transfer. Table 6-4 compares this information for the VMEbus and the MXIbus.

Table 6-4. VMEbus/MXIBus Transfer Size Comparison

|                         | VMEbus |      |     |        | MXIBus |      |      | Byte Locations |         |         |         |
|-------------------------|--------|------|-----|--------|--------|------|------|----------------|---------|---------|---------|
|                         | DS1*   | DS0* | A01 | LWORD* | Size   | AD01 | AD00 | D24-31         | D16-23  | D08-15  | D00-07  |
| <b>8-bit Transfers</b>  |        |      |     |        |        |      |      |                |         |         |         |
| Byte(0)                 | 0      | 1    | 0   | 1      | 0      | 0    | 0    |                |         | Byte(0) |         |
| Byte(1)                 | 1      | 0    | 0   | 1      | 0      | 0    | 1    |                |         |         | Byte(1) |
| Byte(2)                 | 0      | 1    | 1   | 1      | 0      | 1    | 0    |                |         | Byte(2) |         |
| Byte(3)                 | 1      | 0    | 1   | 1      | 0      | 1    | 1    |                |         |         | Byte(3) |
| <b>16-bit Transfers</b> |        |      |     |        |        |      |      |                |         |         |         |
| Byte(0-1)               | 0      | 0    | 0   | 1      | 1      | 0    | 0    |                |         | Byte(0) | Byte(1) |
| Byte(2-3)               | 0      | 0    | 1   | 1      | 1      | 1    | 0    |                |         | Byte(2) | Byte(3) |
| <b>32-bit Transfers</b> |        |      |     |        |        |      |      |                |         |         |         |
| Byte(0-3)               | 0      | 0    | 0   | 0      | 1      | 1    | 1    | Byte(0)        | Byte(1) | Byte(2) | Byte(3) |

The VXI-MXI generates and checks the parity of the address and data portions of all MXIBus cycles. The MXIBus PAR\* signal is generated and sent during the address portion of all MXIBus cycles initiated by the VXI-MXI. It is also generated and sent during the data portion of MXIBus master write cycles. When the VXI-MXI detects a parity error in the data transfer portion of a MXIBus read cycle, it asserts the VMEbus BERR\* signal to indicate to the VMEbus host that the data read contains an error.

Deadlock occurs when a VMEbus master is arbitrating for the MXIBus at the same time that a remote MXIBus device is requesting the same VMEbus. This situation is shown in Figure 6-2 where the VMEbus master arbitrating for the MXIBus is the VXI-MXI in VXIBus Mainframe #2 and the remote MXIBus device requesting the VMEbus is in VXIBus Mainframe #1.

To overcome the deadlock condition, the VMEbus master that is arbitrating for the MXIBus terminates the transfer request by sending a BERR\* to the VMEbus. The remote MXIBus transfer to the VMEbus can then arbitrate for the VMEbus and complete the transfer. In the situation in Figure 6-2, the VXI-MXI in VXIBus Mainframe #2 will send the VMEbus BERR\* signal to resolve the deadlock condition. A Backoff condition occurs when a MXIBus master must terminate a transfer before acquiring the MXIBus in order to prevent deadlock. A VMEbus interrupt can be generated on this condition.

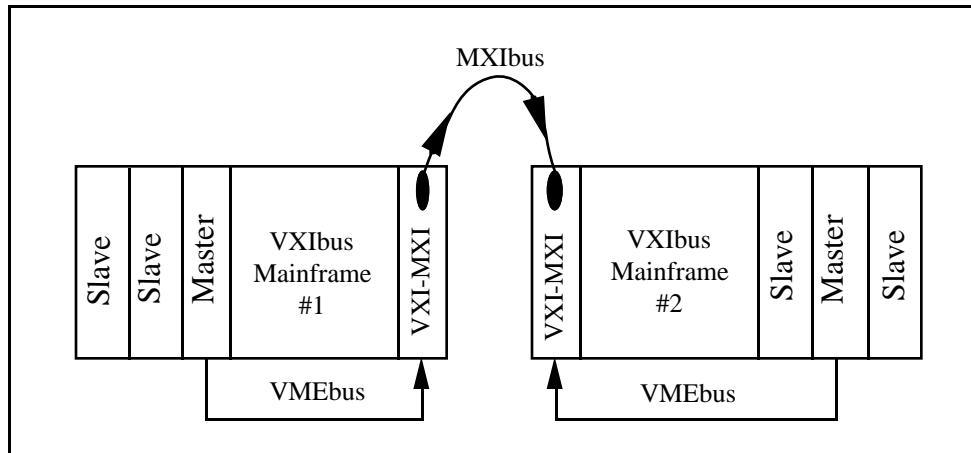


Figure 6-2. Deadlock Situation

If the VXI-MXI responds with a VMEbus BERR\* to a transfer initiated by a VXIbus device, the transfer was not completed successfully. The following situations are possible reasons for an unsuccessful transfer:

- A MXIbus timeout occurred.
- A local timeout occurred.
- A parity error occurred in the address or data portion of the transfer.
- The transfer attempted to access non-existent memory.
- A deadlock condition occurred.

The MXIbus has a built-in block-mode capability for high-speed transfers. VMEbus block-mode transfers, which are identified by an address modifier code, and which are directed to outward windows through the VXI-MXI to the MXIbus, are transparently converted into MXIbus block transfers. Block mode MXIbus operations improve MXIbus performance because a single address is sent at the beginning of a block-mode cycle. As block-mode transfers can span over the address range of two MXIbus devices, all MXIbus slave devices are responsible for latching the initial address broadcast and for generating the successive addresses to determine if any of the remaining transfers of the block-mode operation are directed to the slave. The amount of increment between successive addresses depends on whether the block-mode transfer is 8 bits, 16 bits, or 32 bits wide.

## MXIbus Slave Mode State Machine

When the VXI-MXI is addressed by a remote MXIbus device, the VXI-MXI translates MXIbus 8-bit, 16-bit, and 32-bit read and write cycles into VMEbus read and write cycles in A16, A24 or A32 space. The VXI-MXI interface responds to 8-bit or 16-bit reads and writes to onboard registers located in MXIbus configuration space.

The VXI-MXI is continuously comparing MXIbus addresses and address modifiers to the four mapping windows. The VXI-MXI only responds to the address modifier codes listed in

Table 6-3. When a transfer involving an address in one of the inward windows is detected, the VXI-MXI begins arbitrating for the VMEbus. When the VXI-MXI wins the VMEbus, the MXIbus transfer is converted into a VMEbus transfer. The data transfer size information is converted from MXIbus signals to VMEbus signals as shown in Table 6-4. The transfer is complete when the responding VMEbus device sends a DTACK or BERR signal across the MXIbus and the remote MXIbus device releases the address strobe and data strobe.

The VXI-MXI circuitry generates and checks parity during the address and data portions of all MXIbus cycles. The VMEbus is not requested if the MXIbus address received has a parity error. Parity is also checked when MXIbus data is written to the VXI-MXI slave circuitry. If a parity error occurs, the bad data is not written to the VMEbus and a BERR is sent back to the MXIbus master. The MXIbus PAR\* signal is generated and sent during a MXIbus slave read cycle.

When the MXIbus address strobe remains low during multiple data transfers, the VXI-MXI interprets the transfer in one of three ways, depending upon the information sent on the address modifier lines and the state of the RMWMODE bit in the MXIbus Status/Control Register:

1. If the address modifiers indicate a MXIbus block-mode transfer, the MXIbus transfer is converted directly into a VMEbus block-mode transfer, regardless of the state of the RMWMODE bit. MXIbus does not limit the length of the block transfer in any way; however, the VMEbus specification limits VMEbus block transfers to a maximum of 256 bytes in length. The VXI-MXI, therefore, will initiate a new block transfer after every 256 bytes of the MXIbus block transfer.
2. If the RMWMODE bit is 0 and the address modifiers sent across the MXIbus indicate a non-VMEbus block-mode transfer, the MXIbus transfer is interpreted as a read/modify/write (RMW) cycle and is converted into a VMEbus RMW cycle.
3. If the RMWMODE bit is 1 and the address modifiers sent across the MXIbus indicate a non-VMEbus block-mode transfer, the VXI-MXI uses onboard 32-bit counters to convert the MXIbus block-mode transfer into many VMEbus single cycle transfers. All MXIbus slaves are required to latch the MXIbus address into onboard address counters on the assertion edge of AS\* and increment the counters on each trailing edge of DS\*.

The length of a MXIbus block transfer is not limited to the address space of a single MXIbus device. A MXIbus master can perform a single block-mode transfer to multiple address-consutive MXIbus slaves. For this reason, each MXIbus slave must continually monitor the address count of all MXIbus block-mode transfers and decode the output of the address counters to determine if the block transfer crosses into its inward address window. At any time the transfer can cross into one of the VXI-MXI's inward windows, requiring the circuitry to respond to the transfer.

## **MXIbus Address/Data and Address Modifier Transceivers**

The MXIbus address/data transceivers and the associated circuitry multiplex and de-multiplex the MXIbus address and data information from the MXIbus AD[31-0] lines and control the direction of address and data flow. Address and address modifier information from the MXIbus is latched on the rising edge of the MXIbus address strobe. The address is latched into address counters that are incremented on each falling edge of the MXIbus data strobe.

MXIbus specifies trapezoidal bus transceivers to reduce noise and crosstalk in the MXIbus transmission system. These transceivers have open collector drivers that generate precise trapezoidal waveforms with typical rise and fall times of 9 ns. The trapezoidal shape, due to the constant rise and fall times, reduces noise coupling to adjacent lines. The receiver uses a low pass filter to remove noise in conjunction with a high-speed comparator that differentiates the trapezoidal-shaped signal from the noise.

MXIbus cables are matched impedance cables. Each MXIbus signal line is twisted with a ground line and the impedance is controlled by the thickness of the insulation around the wires. This impedance matching minimizes skew between signals because they travel down the cable at the same speed. Signal reflections are also minimized because the signals travel through the same impedance as they daisy-chain through multiple cables. Termination resistor networks are placed at the first and last MXIbus devices to minimize reflections at the ends of the cable.

## MXIbus System Controller Functions

An onboard slide switch sets whether or not the VXI-MXI interface board is the MXIbus System Controller. If it is the system controller, the VXI-MXI must be the first device in the MXIbus daisy-chain. Onboard arbitration circuitry transparently performs the MXIbus arbitration for the MXIbus chain. If the VXI-MXI interface board is not the first device in the MXIbus daisy-chain, it can still be configured as the MXIbus System Controller. However, any devices in the MXIbus daisy-chain that are upstream from the MXIbus System Controller cannot be MXIbus masters because they will never be granted control of the MXIbus.

The MXIbus System Controller is also responsible for the MXIbus system timeout. This timeout, typically 100 ms, begins when a MXIbus data strobe is received and stops when a MXIbus DTACK or BERR is detected. When the timeout expires, the MXIbus System Controller sends a MXIbus BERR to clear the MXIbus system. The VXI-MXI powers up with the MXIbus system timeout between 100  $\mu$ s and 400  $\mu$ s, enabling the system Resource Manager to scan all logical addresses in a reasonable amount of time. When the Resource Manager has finished scanning and configuring the MXIbus system, it should set the LNGMXSCTO bit in the MXIbus Control Register. When this bit is set, the MXIbus system timeout will be between 100 ms and 400 ms, as recommended in the MXIbus specification.

## MXIbus Control Signals Transceivers

The MXIbus control signal transceivers control the sending and receiving of the MXIbus control signals address strobe (AS\*), data strobe (DS\*), transfer size (SIZE\*), read/write (WR\*), data transfer acknowledge (DTACK\*), bus error (BERR\*), and parity (PAR\*). These signals indicate the beginning and end of a transfer, the size of data involved in the transfer (8, 16, or 32 bits), whether the transfer is a read or write, and whether the transfer was successful.

## MXIbus Requester and Arbiter Circuitry

The MXIbus requester and arbiter circuitry is used to request and grant the MXIbus to MXIbus devices. The arbiter circuitry is only active on the VXI-MXI if it is configured as the MXIbus System Controller.

All MXIbus masters must have bus request logic for requesting the MXIbus, and the MXIbus System Controller must have bus arbiter logic to grant the bus to requesting masters. Four signals are used for arbitration: bus request (BREQ\*), bus grant in (BGIN\*), bus grant out (BGOUT\*), and bus busy (BUSY\*). The MXIbus has a serial, release-on-request arbitration with fairness and bus lock options.

In a serial arbitration scheme, devices request the bus by asserting the BREQ\* line. This signal is a wired-OR signal that indicates when one or more MXIbus devices are requesting use of the bus. When the System Controller detects BREQ\* active, it grants the bus by driving the bus grant daisy-chain line BGOUT\* active. BGOUT\* propagates down the daisy-chain to the next device's BGIN\* signal. If that device is not driving the BREQ\* line, it passes the BGIN\* signal on to the next device in the daisy-chain via its BGOUT\* line. The first device that is driving BREQ\* and receives an active low level on its BGIN\* line is the device that is granted the bus. That device does not pass the bus grant signal on the daisy-chain to the next device.

When a requester is granted control of the bus, it drives the BUSY\* line active and unasserts BREQ\*. The BUSY\* signal indicates to the other MXIbus devices that the bus is busy. The master in control of the bus holds BUSY\* low until it is finished with the bus. At that time, if no other MXIbus device is driving BREQ\*, the master can continue to drive BUSY\* until it detects the BREQ\* line active.

A VXIbus device can lock the MXIbus so that the device can perform indivisible operations across the MXIbus. When the LOCK bit in the Local Bus Lock Register is set by a VXIbus device, the VXI-MXI interface will not release the MXIbus the next time it is granted the bus (on the next transaction) until the LOCK bit is cleared by a VXIbus device.

A fairness feature ensures that all requesting devices will be granted use of the bus. If fairness is enabled, a master must refrain from driving BREQ\* active after releasing it until it detects BREQ\* inactive.

When the VXI-MXI is arbitrating for the MXIbus and a remote MXIbus transfer requesting the VMEbus is received, deadlock occurs. The VXI-MXI cannot win the MXIbus because another MXIbus device owns it, and that device wants to arbitrate for the VMEbus, which is currently owned by another device. To resolve the conflict, the MXIbus master transfer in the process of arbitrating for the MXIbus terminates its VMEbus transfer by sending a BERR to the VMEbus. The remote MXIbus transfer to the VMEbus can then arbitrate for the VMEbus and complete.

Unless the optional interlocked arbitration mode is used, VXI modules must be able to handle the BERR exceptions that occur because of deadlock conditions. In interlocked arbitration mode, only one device owns the VXIbus/MXIbus system at a time. Deadlocks are prevented because there is only one master of the entire system (VXIbus and MXIbus) at a time.

In interlocked arbitration mode, the VXIbus arbiter and the MXIbus arbiter are synchronized so that both buses are tightly coupled at all times. When the VXI-MXI receives a VMEbus BGIN\* signal, it cannot drive the daisy-chain VMEbus BGOUT\* signal until it owns the MXIbus (is driving the MXIbus BUSY\* signal). Similarly, when the VXI-MXI receives a MXIbus BGIN\* signal, it cannot drive the MXIbus BGOUT\* lines until it owns the VMEbus (is driving the VMEbus BBSY\* signal). When the VXI-MXI is driving the VMEbus BBSY\* signal, it cannot release the line until it owns the MXIbus. Similarly, when the VXI-MXI is driving the MXIbus BUSY\* signal, it cannot release the line until it owns the VMEbus. In other words, the VXI-MXI cannot release the bus it owns until it gains ownership of the other bus.



For example, if the VXI-MXI owns the VMEbus and it receives a VMEbus bus request from another VXIbus device, the VXI-MXI continues holding the VMEbus and arbitrates for the MXIbus. When it wins the MXIbus, the VXI-MXI can then release the VMEbus so that another VMEbus requester can gain ownership of the VMEbus. Likewise, if the VXI-MXI owns the MXIbus and receives a MXIbus request from another device, the VXI-MXI continues to hold the MXIbus BUSY\* line while it arbitrates for its VMEbus. Once it wins the VMEbus, it can release the MXIbus.

Transparent interoperability between VXIbus mainframes is an advantage of interlocked arbitration mode; however, this mode of operation does have disadvantages. In normal operation mode, the VMEbus activity within each mainframe is independent of the activity in other mainframes except when a device in one mainframe accesses a device in another mainframe. In interlocked arbitration mode, there can be only one master of the entire VXIbus/MXIbus system at a time. Devices in separate mainframes, therefore, cannot run operations in parallel. The global arbitration scheme required by interlocked arbitration mode also adds considerable overhead to each VMEbus access.

In a VXIbus/MXIbus system, some VXI-MXIs can be configured for normal operation mode and others for interlocked arbitration mode. The VXIbus mainframes configured in interlocked arbitration mode are interlocked with each other and the mainframes configured for normal operation can perform transfers in parallel. If no bus masters are in a VXIbus mainframe, or if the bus masters communicate only with the slaves in their mainframe and never attempt transfers across the MXIbus, a deadlock cannot occur. These VXIbus mainframes can be configured for normal operation in a VXIbus/MXIbus system with VXIbus mainframes configured for interlocked arbitration mode. Even though PCs with MXIbus interfaces do not support interlocked arbitration mode, they can be installed in a VXIbus/MXIbus system with VXIbus mainframes running in interlocked mode.

# Appendix A

## Specifications

---

### Capability Codes

#### VMEbus

| Capability Code      | Description                              |
|----------------------|------------------------------------------|
| MA32, MA24, MA16     | Master Mode A32, A24, and A16 addressing |
| SA32, SA24, SA16     | Slave Mode A32, A24, and A16 addressing  |
| MD32, MD16, MD08(EO) | Master Mode D32, D16, and D08 data sizes |
| SD32, SD16, SD08(EO) | Slave Mode D32, D16, and D08 data sizes  |
| MBLOCK               | Master Mode block transfers              |
| SBLOCK               | Slave Mode block transfers               |
| MRMW                 | Master Mode Read/Modify/Write            |
| SRMW                 | Slave Mode Read/Modify/Write             |
| PRI                  | Prioritized arbitration                  |
| ROR                  | Release on Request bus requester         |
| IH                   | Interrupt Handler                        |
| IR                   | Interrupt Requester                      |
| ROAK                 | Release on Acknowledge interrupter       |
| BTO                  | Bus Timeout                              |
| SC                   | Optional VMEbus System Controller        |
| IACK                 | IACK daisy-chain driver                  |

#### VXIbus

| Capability Code | Description                                                                                                                                                   |
|-----------------|---------------------------------------------------------------------------------------------------------------------------------------------------------------|
| TRIG+1          | Supports TTLTRIG0:7 and ECLTRIG0:1 trigger lines and full protocol operations for each. The VXI-MXI may participate in only one protocol operation at a time. |

## MXIbus

| Capability Code      | Description                              |
|----------------------|------------------------------------------|
| MA32, MA24, MA16     | Master Mode A32, A24, and A16 addressing |
| SA32, SA24, SA16     | Slave Mode A32, A24, and A16 addressing  |
| MD32, MD16, MD08(EO) | Master Mode D32, D16, and D08 data sizes |
| SD32, SD16, SD08(EO) | Slave Mode D32, D16, and D08 data sizes  |
| MBLOCK               | Master Mode block transfers              |
| SBLOCK               | Slave Mode block transfers               |
| SC                   | Optional MXIbus System Controller        |
| FAIR                 | Optional MXIbus fair requester           |
| TERM                 | Can accept MXIbus termination resistors  |
| IH                   | Interrupt Handler                        |
| IR                   | Interrupt Requester                      |

## Electrical

| Source   | DC Current Ratings |         | Dynamic Current |
|----------|--------------------|---------|-----------------|
|          | Typical            | Maximum |                 |
| +5 VDC   | 5.25 A             | 6.7 A   | 0.67 A          |
| -5.2 VDC | 300 mA             | 400 mA  | 50 mA           |
| -2 VDC   | 100 mA             | 125 mA  | 20 mA           |

## Environmental

Component temperature

0° to 70° C operating;  
-40° to 85° C storage

Airflow

3.5 liters/s for 10° rise

Relative humidity

10% to 90% noncondensing operating;  
0% to 95% noncondensing storage

Emissions

FCC Class A

|                     |                |
|---------------------|----------------|
| Safety              | Not applicable |
| Shock and Vibration | Not applicable |

## Physical

|                                         |                                                                                                                             |
|-----------------------------------------|-----------------------------------------------------------------------------------------------------------------------------|
| Board size                              | Fully shielded VXI C-size board<br>(9.187 in. by 13.386 in.; 233.35 mm by 340 mm)                                           |
| Connectors                              | Single fully implemented MXIbus connector<br>Single INTX connector (on boards equipped<br>with optional INTX daughter card) |
| Slot Requirements                       | Single VXI C-size slot                                                                                                      |
| VXI Keying Class                        | Class 1 TTL                                                                                                                 |
| Fully compatible with VXI specification |                                                                                                                             |
| Fully enclosed and shielded             |                                                                                                                             |

## Reliability

|      |                 |
|------|-----------------|
| MTBF | Contact Factory |
|------|-----------------|

## Requirements

|           |      |
|-----------|------|
| A16 Space | 64 B |
|-----------|------|

## Timing

### Master Mode

| Transfer Type | Transfer Rate |
|---------------|---------------|
| Write         | 675.5 ns      |
| Read          | 625.5 ns      |
| Block Write   | 320 ns        |
| Block Read    | 270 ns        |

### Slave Mode

| Transfer Type | Transfer Rate |
|---------------|---------------|
| Write         | 381 ns        |
| Read          | 381 ns        |
| Block Write   | 238 ns        |
| Block Read    | 238 ns        |

## Other

|                                                                                      |        |
|--------------------------------------------------------------------------------------|--------|
| Daisy-Chain Delay<br>(Passing GIN to GOUT or GOUT generation from System Controller) | 120 ns |
|--------------------------------------------------------------------------------------|--------|

# Appendix B

## Mnemonics Key

---

This appendix contains an alphabetical listing of mnemonics used in this manual to describe signals and terminology specific to MXIbus, VMEbus, VXIbus, and register bits. Refer also to the *Glossary*.

The mnemonic types in the key that follows are abbreviated to mean the following:

|     |                    |
|-----|--------------------|
| B   | Bit                |
| MBS | MXIbus Signal      |
| MXI | MXIbus Terminology |
| VBS | VMEbus Signal      |
| VME | VMEbus Terminology |
| VXI | VXIbus Terminology |
| VXS | VXIbus Signal      |

| <u>Mnemonic</u> | <u>Type</u> | <u>Definition</u>                      |
|-----------------|-------------|----------------------------------------|
| <b>A</b>        |             |                                        |
| A01             | VBS         | VME Address Line 1                     |
| A16BASE[7-0]    | B           | A16 Window Base Address                |
| A16DIR          | B           | A16 Window Direction                   |
| A16EN           | B           | A16 Window Enable                      |
| A16HIGH[7-0]    | B           | A16 Window Upper Bound                 |
| A16LOW[7-0]     | B           | A16 Window Lower Bound                 |
| A16SIZE[2-0]    | B           | A16 Window Size                        |
| A24BASE[7-0]    | B           | A24 Window Base Address                |
| A24DIR          | B           | A24 Window Direction                   |
| A24EN           | B           | A24 Window Enable                      |
| A24HIGH[7-0]    | B           | A24 Window Upper Bound                 |
| A24LOW[7-0]     | B           | A24 Window Lower Bound                 |
| A24SIZE[2-0]    | B           | A24 Window Size                        |
| A32BASE[7-0]    | B           | A32 Window Base Address                |
| A32DIR          | B           | A32 Window Direction                   |
| A32EN           | B           | A32 Window Enable                      |
| A32HIGH[7-0]    | B           | A32 Window Upper Bound                 |
| A32LOW[7-0]     | B           | A32 Window Lower Bound                 |
| A32SIZE[2-0]    | B           | A32 Window Size                        |
| A[31-1]         | VBS         | VME Address Lines 31 through 1         |
| ACCDIR          | B           | Access Direction                       |
| ACFAIL          | B           | VXIbus ACFAIL Status                   |
| ACFAIL*         | VBS         | VME ACFAIL Signal                      |
| ACFAILIE        | B           | VXIbus ACFAIL Interrupt Enable         |
| ACFAILIN        | B           | Extended ACFAIL Inward                 |
| ACFAILINT       | B           | VXIbus ACFAIL Interrupt Status         |
| ACFAILOUT       | B           | Extended ACFAIL Outward                |
| AD00            | MBS         | MXIbus Address/Data Line 0             |
| AD01            | MBS         | MXIbus Address/Data Line 1             |
| AD[31-0]        | MBS         | MXIbus Address/Data Lines 31 through 0 |
| ADDR            | B           | Address Space                          |
| AM[4-0]         | MBS         | MXIbus Address Modifier Lines          |
| AM[5-0]         | VMS         | VMEbus Address Modifier Lines          |
| AS*             | VBS/MBS     | Address Strobe                         |
| ASIE            | B           | Asynchronous Interrupt Enable          |
| ASINT*          | B           | Asynchronous Interrupt Status          |
| <b>B</b>        |             |                                        |
| BBSY*           | VBS         | VMEbus Busy Line                       |
| BERR*           | VBS/MBS     | Bus Error                              |
| BG[3-0]IN*      | VBS         | VMEbus Bus Grant In                    |
| BG[3-0]OUT*     | VBS         | VMEbus Bus Grant Out                   |
| BKOFF           | B           | Backoff Status                         |
| BKOFFIE         | B           | Backoff Interrupt Enable               |
| BOFFCLR         | B           | Backoff Condition Clear                |
| BR[3-0]*        | VME         | VMEbus Bus Request Lines 3 through 0   |
| BREQ*           | VBS/MBS     | Bus Request                            |

| <u>Mnemonic</u> | <u>Type</u> | <u>Definition</u>              |
|-----------------|-------------|--------------------------------|
| BTO             | VBS/MBS     | Bus Timeout                    |
| BUSY*           | MBS         | Bus Busy                       |
| <b>C</b>        |             |                                |
| CLK10           | VXS         | VXIbus 10-MHz System Clock     |
| CMODE           | B           | Comparison Mode                |
| <b>D</b>        |             |                                |
| D[31-0]         | VBS         | VMEbus Data Lines 31 through 0 |
| DEVCLASS        | B           | VXIbus Device Class            |
| DIRQ[7-1]       | B           | Drive IRQ Lines                |
| DRVECL0         | B           | Drive ECL Trigger Line 0       |
| DRVECL1         | B           | Drive ECL Trigger Line 1       |
| DS*             | MBS         | MXIbus Data Strobe             |
| DS0*            | VBS         | VMEbus Data Strobe 0           |
| DS1*            | VBS         | VMEbus Data Strobe 1           |
| DSYSFAIL        | B           | Drive SYSFAIL                  |
| DSYSRST         | B           | Drive SYSRESET                 |
| DTACK*          | VBS/MBS     | Data Transfer Acknowledge      |
| DTRIG[7-0]      | B           | Drive VXIbus Trigger Lines     |
| <b>E</b>        |             |                                |
| ECL0DIR         | B           | ECL Trigger Line 0 Direction   |
| ECL0EN          | B           | ECL Trigger 0 Enable           |
| ECL1DIR         | B           | ECL Trigger Line 1 Direction   |
| ECL1EN          | B           | ECL Trigger 1 Enable           |
| ECLSTAT0        | B           | ECL Trigger Line 0 Status      |
| ECLSTAT1        | B           | ECL Trigger Line 1 Status      |
| ECLTRG[1-0]     | VXI         | ECL Trigger Lines              |
| EDTYPE          | B           | Extended Device Type           |
| EINT[7-1]DIR    | B           | Extended Interrupt Direction   |
| EINT[7-1]EN     | B           | Extended Interrupt Enable      |
| EO              | VME         | Even and Odd Transfers         |
| ETOEN           | B           | External Trigger Output Enable |
| ETRGDIR[7-0]    | B           | Extended Trigger Direction     |
| ETRGEN[7-0]     | B           | Extended Trigger Enable        |
| ETRIG           | B           | Enable Trigger Lines           |
| <b>F</b>        |             |                                |
| FAIR            | MXI         | Fair Bus Requester             |
| <b>G</b>        |             |                                |
| GIN             | MBS         | Daisy-chain Grant In           |
| GOUT            | MBS         | Daisy-chain Grant Out          |

| <u>Mnemonic</u> | <u>Type</u> | <u>Definition</u>                               |
|-----------------|-------------|-------------------------------------------------|
| <b>I</b>        |             |                                                 |
| I[15-0]         | B           | Interrupt Acknowledge Status/ID                 |
| IACK*           | VME         | VMEbus Interrupt Acknowledge                    |
| IACKIN*         | VME         | VMEbus Interrupt Acknowledge Daisy-Chain Input  |
| IACKOUT*        | VME         | VMEbus Interrupt Acknowledge Daisy-Chain Output |
| INTLCK          | B           | Interlocked Bus Operation                       |
| INTX            | MXI         | Interrupt and Trigger Extension Connector       |
| IRQ*            | MBS         | MXIbus Interrupt Request                        |
| IRQ[7-1]*       | VBS         | VMEbus Interrupt Request Lines                  |
| ITS[3-0]        | B           | Input Trigger Select                            |
| <b>L</b>        |             |                                                 |
| LABASE[7-0]     | B           | Logical Address Window Base Address             |
| LADD[7-0]       | B           | Logical Address Status                          |
| LADIR           | B           | Logical Address Window Direction                |
| LAEN            | B           | Logical Address Window Enable                   |
| LAHIGH[7-0]     | B           | Logical Address Window Upper Bound              |
| LALOW[7-0]      | B           | Logical Address Window Lower Bound              |
| LASIZE[2-0]     | B           | Logical Address Window Size                     |
| LINT[3-1]       | B           | Local Interrupt Line                            |
| LNGMXSCTO       | B           | Long MXIbus System Controller Timeout           |
| LOCKED          | B           | Lock MXIbus or VXIbus                           |
| LWORD*          | VBS         | VMEbus Longword                                 |
| <b>M</b>        |             |                                                 |
| MANID           | B           | Manufacturer ID                                 |
| MIRQ[7-1]DIR    | B           | MXIbus IRQ Direction                            |
| MIRQ[7-1]EN     | B           | MXIbus IRQ Enable                               |
| MODEL           | B           | Model Code                                      |
| MODID           | VXI         | Module ID Lines                                 |
| MODID*          | B           | MODID Line Status                               |
| MODID0          | VXS         | MODID Line 0                                    |
| MODID[12-0]     | B           | MODID Drive and Status Bits                     |
| MXACFAILEN      | B           | MXIbus ACFAIL Enable                            |
| MXACFAILINT     | B           | MXIbus ACFAIL Status                            |
| MXBERR          | B           | MXIbus Bus Error Status                         |
| MXISC           | B           | MXIbus System Controller Status                 |
| MXSCTO          | B           | MXIbus System Controller Timeout Status         |
| MXSRSTEN        | B           | MXIbus SYSRESET Enable                          |
| MXSRSTINT       | B           | MXIbus SYSRESET Status                          |
| MXSYSFINT       | B           | MXIbus SYSFAIL Status                           |
| MXTRIGEN        | B           | MXIbus Trigger Line Select                      |
| MXTRIGINT       | B           | MXIbus Trigger Interrupt Status                 |



| <u>Mnemonic</u> | <u>Type</u> | <u>Definition</u>                           |
|-----------------|-------------|---------------------------------------------|
| <b>O</b>        |             |                                             |
| OMS[2-0]        | B           | Output Trigger Mode Select                  |
| OTS[3-0]        | B           | Output Trigger Select                       |
| OUTEN           | B           | MODID Output Enable                         |
| <b>P</b>        |             |                                             |
| PAR*            | MBS         | MXIbus Parity Line                          |
| PARERR          | B           | Parity Error                                |
| PASS            | B           | Passed                                      |
| PRI ARBITER     | VME         | VMEbus Prioritized Arbiter                  |
| PULSE           | B           | Pulse Selected Trigger Line                 |
| <b>R</b>        |             |                                             |
| RDY             | B           | Ready                                       |
| RESET           | B           | Soft Reset                                  |
| RMWMODE         | B           | Read/Modify/Write Select Mode               |
| ROAK            | VME         | Release on Interrupt Acknowledge            |
| <b>S</b>        |             |                                             |
| S[15-0]         | B           | Status/ID                                   |
| SIZE            | MBS         | MXIbus Size Signal                          |
| SSIE            | B           | Synchronous Interrupt Enable                |
| SSINT*          | B           | Synchronous Interrupt Status                |
| Status/ID       | VME         | VMEbus Interrupt Status/Identification Data |
| SUBCLASS        | B           | Manufacturer Subclass                       |
| SYSCLK          | VME         | VMEbus System Clock                         |
| SYSFAIL         | B           | VXIbus SYSFAIL Status                       |
| SYSFAIL*        | VME         | System Failure                              |
| SYSFAILIE       | B           | VMEbus SYSFAIL Interrupt Enable             |
| SYSFAILIN       | B           | Extended SYSFAIL Inward                     |
| SYSFAILINT      | B           | VXIbus SYSFAIL Interrupt Status             |
| SYSFAILOUT      | B           | Extended SYSFAIL Outward                    |
| SYSFIN          | B           | SYSFAIL Input Enable                        |
| SYSFOUT         | B           | SYSFAIL Output Enable                       |
| SYSRESET*       | VME         | System Reset                                |
| SYSRSTIN        | B           | Extended SYSRESET Inward                    |
| SYSRSTOUT       | B           | Extended SYSRESET Outward                   |

| <u>Mnemonic</u> | <u>Type</u> | <u>Definition</u>                    |
|-----------------|-------------|--------------------------------------|
| <b>T</b>        |             |                                      |
| TERMPWR         | MXI         | Terminator Power                     |
| TRIGDIR[7-0]    | B           | Trigger Direction                    |
| TRIGEN[7-0]     | B           | Trigger Enable                       |
| TRIGIN          | B           | Trigger Input Status                 |
| TRIGINT         | B           | Trigger Interrupt                    |
| TRIGINTIE       | B           | Trigger Interrupt Enable             |
| TRIGOUT         | B           | Trigger Output Status                |
| TTLTRG[7-0]     | VXI         | VXIbus TTL Trigger Lines 7 through 0 |
| VERSION         | B           | VXI-MXI Version Number               |
| <b>W</b>        |             |                                      |
| WR              | MBS         | MXIbus Write                         |
| WRITE*          | VBS         | VMEbus Write                         |

# Appendix C

## VXI-MXI Component Placement

---

This appendix contains instructions on opening the VXI-MXI module, and removing and reinstalling the optional INTX daughter card. This appendix also contains parts locator diagrams of the VXI-MXI and the INTX daughter card.

### Removing the Metal Enclosure from the VXI-MXI

The VXI-MXI is housed in a metal enclosure to improve EMC performance and to provide easy handling. Because the enclosure includes cut-outs to facilitate changes to switch and jumper settings, it should not be necessary to remove it under normal circumstances.

Should you find it necessary to open the enclosure, follow these steps.

1. Remove the three screws on the top, three screws on the bottom, and three screws on the right side panel of the enclosure.
2. Remove the right side panel to reveal the VXI-MXI circuit card.

Figure C-1 is a parts locator diagram of the VXI-MXI module, showing the factory default configuration settings. Refer to Chapter 3 for information on how to configure the board to suit the needs of your VXIbus system.

Figure C-1. VXI-MXI Parts Locator Diagram

## Removing the INTX Daughter Card from the VXI-MXI

Under normal circumstances you will not need to remove the INTX card from the VXI-MXI module. You have easy access to the INTX terminators and CLK10 mapping switches through cut-outs in the VXI-MXI enclosure.

Should you find it necessary to remove the INTX card, follow these steps.

1. Remove the three screws on the top of the daughter card.
2. Remove the two INTX connector jack sockets on the sides of the INTX connector on the front panel of the VXI-MXI.
3. Carefully lift the daughter card out of the daughter card connectors on the VXI-MXI.

Figure C-2 is a parts locator diagram of the rear side of the INTX daughter card, showing the location of the INTX terminators and the three CLK10 mapping switches.

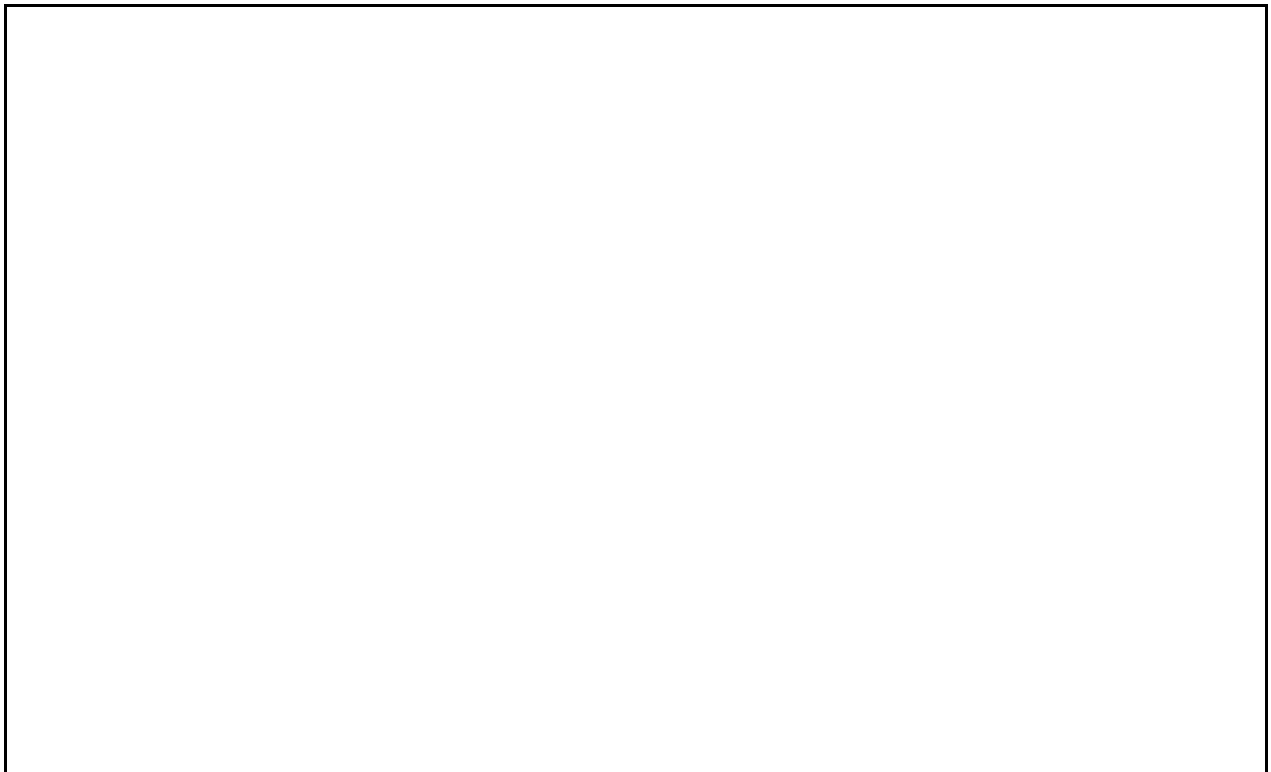


Figure C-2. VXI-MXI INTX Parts Locator Diagram (Rear View)

Figure C-3 is a parts locator diagram of the front side of the INTX daughter card, showing the location of the various components.

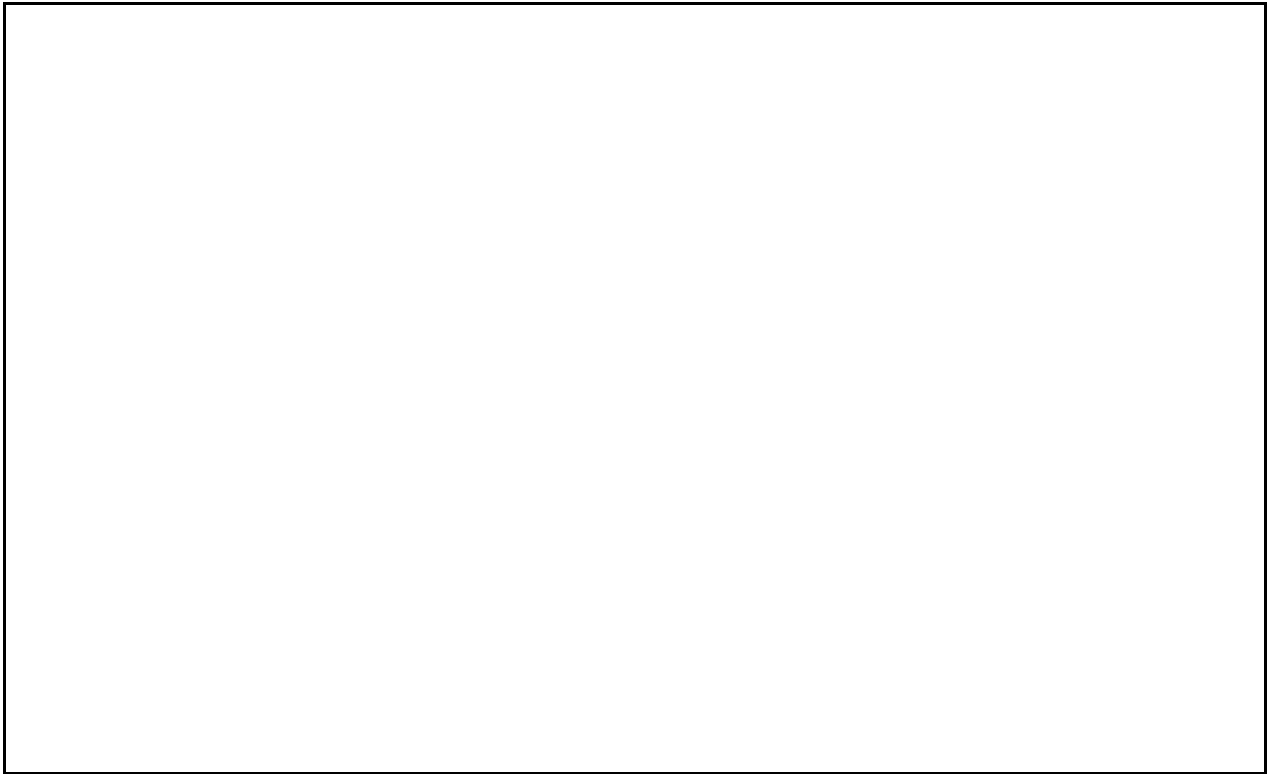


Figure C-3. VXI-MXI INTX Parts Locator Diagram (Front View)

## Installing the INTX Daughter Card onto the VXI-MXI

When you are ready to reinstall the INTX card onto the VXI-MXI, carefully line up the daughter connection pins to the daughter card sockets on the VXI-MXI and firmly press the connectors together.

**Warning:** *Improper installation of the INTX daughter card option onto the VXI-MXI can result in damage to the INTX daughter card or the VXI-MXI. Verify that the connections line up correctly before installing the VXI-MXI into the VXIbus mainframe.*

Replace the screws that hold the daughter card in place. Then replace the right side panel and screws of the metal enclosure surrounding the VXI-MXI, and reinstall the VXI-MXI in the VXIbus mainframe.

# Appendix D

## Connector Descriptions

This appendix describes the connector pin assignments for the MXIbus connector and the INTX connector.

### MXIbus Connector

The MXIbus signals are assigned to the device connector as shown in Figure D-1 and Table D-1.

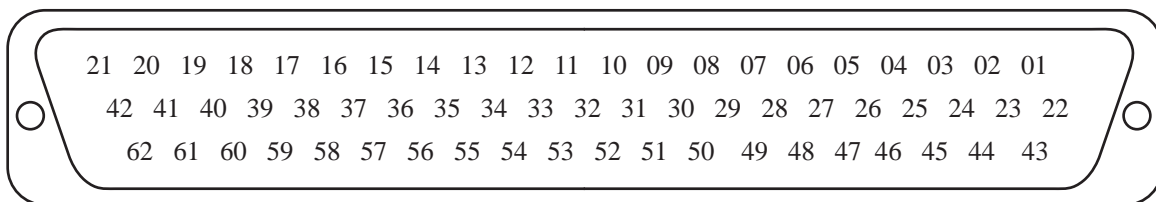


Figure D-1. MXIbus Connector

Table D-1. MXIbus Connector Signal Assignments

| Pin | Signal Name  | Pin | Signal Name   | Pin | Signal Name    |
|-----|--------------|-----|---------------|-----|----------------|
| 1   | <i>AM4*</i>  | 22  | <i>AD15*</i>  | 43  | <i>PAR*</i>    |
| 2   | <i>AM3*</i>  | 23  | <i>AD14*</i>  | 44  | <i>SIZE*</i>   |
| 3   | <i>AM2*</i>  | 24  | <i>AD13*</i>  | 45  | <i>BREQ*</i>   |
| 4   | <i>AM1*</i>  | 25  | <i>AD12*</i>  | 46  | <i>BUSY*</i>   |
| 5   | <i>AM0*</i>  | 26  | <i>AD11*</i>  | 47  | <i>GND</i>     |
| 6   | <i>AD31*</i> | 27  | <i>AD10*</i>  | 48  | <i>GND</i>     |
| 7   | <i>AD30*</i> | 28  | <i>AD09*</i>  | 49  | <i>GND</i>     |
| 8   | <i>AD29*</i> | 29  | <i>AD08*</i>  | 50  | <i>GND</i>     |
| 9   | <i>AD28*</i> | 30  | <i>AD07*</i>  | 51  | <i>GND</i>     |
| 10  | <i>AD27*</i> | 31  | <i>AD06*</i>  | 52  | <i>GND</i>     |
| 11  | <i>AD26*</i> | 32  | <i>AD05*</i>  | 53  | <i>GND</i>     |
| 12  | <i>AD25*</i> | 33  | <i>AD04*</i>  | 54  | <i>GND</i>     |
| 13  | <i>AD24*</i> | 34  | <i>AD03*</i>  | 55  | <i>GND</i>     |
| 14  | <i>AD23*</i> | 35  | <i>AD02*</i>  | 56  | <i>GND</i>     |
| 15  | <i>AD22*</i> | 36  | <i>AD01*</i>  | 57  | <i>GND</i>     |
| 16  | <i>AD21*</i> | 37  | <i>AD00*</i>  | 58  | <i>GND</i>     |
| 17  | <i>AD20*</i> | 38  | <i>DS*</i>    | 59  | <i>GOUT*</i>   |
| 18  | <i>AD19*</i> | 39  | <i>AS*</i>    | 60  | <i>GIN*</i>    |
| 19  | <i>AD18*</i> | 40  | <i>WR*</i>    | 61  | <i>IRQ*</i>    |
| 20  | <i>AD17*</i> | 41  | <i>DTACK*</i> | 62  | <i>TERMPWR</i> |
| 21  | <i>AD16*</i> | 42  | <i>BERR*</i>  |     |                |

The MXIbus defines 49 active signals, 12 ground lines, and 1 line for terminator power. Table D-2 describes the signals on the MXIbus connector and groups them in five categories.

Table D-2. MXIbus Signal Groupings

| Category     | Description       | Signal Name       | Lines | Pin Numbers |
|--------------|-------------------|-------------------|-------|-------------|
| Address/Data | Address/Data      | <i>AD[31-00]*</i> | 32    | 6-37        |
|              | Address Modifier  | <i>AM[4-0]*</i>   | 5     | 1-5         |
|              | Address Strobe    | <i>AS*</i>        | 1     | 39          |
|              | Transfer Size     | <i>SIZE*</i>      | 1     | 44          |
|              | Read/Write        | <i>WR*</i>        | 1     | 40          |
|              | Data Strobe       | <i>DS*</i>        | 1     | 38          |
|              | Data Acknowledge  | <i>DTACK*</i>     | 1     | 41          |
|              | Parity            | <i>PAR*</i>       | 1     | 43          |
| Arbitration  | MXIbus Busy       | <i>BUSY*</i>      | 1     | 46          |
|              | MXIbus Request    | <i>BREQ*</i>      | 1     | 45          |
|              | MXIbus Grant In   | <i>GIN*</i>       | 1     | 60          |
|              | MXIbus Grant Out  | <i>GOUT*</i>      | 1     | 59          |
| Interrupt    | Interrupt Request | <i>IRQ*</i>       | 1     | 61          |
| Utility      | MXIbus Error      | <i>BERR*</i>      | 1     | 42          |
| Power        | Ground            | <i>GND</i>        | 12    | 47-58       |
|              | Terminator Power  | <i>TERMPWR</i>    | 1     | 62          |

Notice that there are 12 ground contacts on the connector. The 48 twisted ground lines in the cable are generated from these lines under the cable connector hood. Also notice that although there are two connector contacts required for the GIN\*–GOUT\* daisy-chain, only one signal line is required in the cable assembly.

For more information, refer to the MXIbus specification.



## INTX Connector

The INTX connector is used only on VXI-MXIs with the INTX daughter card option. The INTX signals are assigned to the device connector as shown in Figure D-2 and Table D-3.

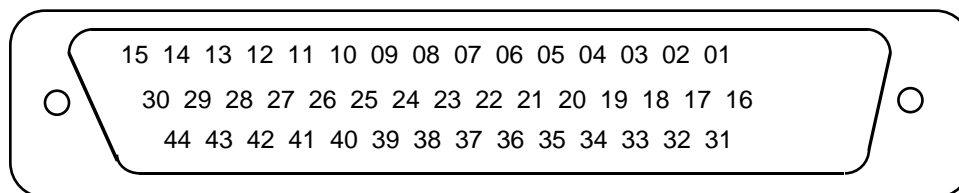


Figure D-2. INTX Connector

Table D-3. INTX Connector Signal Assignments

| Pin | Signal Name      | Pin | Signal Name     | Pin | Signal Name     |
|-----|------------------|-----|-----------------|-----|-----------------|
| 1   | <i>Reserved</i>  | 16  | <i>Reserved</i> | 31  | <i>Reserved</i> |
| 2   | <i>SYSFAIL*</i>  | 17  | <i>Reserved</i> | 32  | <i>IRQ3*</i>    |
| 3   | <i>GND</i>       | 18  | <i>IRQ7*</i>    | 33  | <i>GND</i>      |
| 4   | <i>ACFAIL*</i>   | 19  | <i>GND</i>      | 34  | <i>IRQ2*</i>    |
| 5   | <i>GND</i>       | 20  | <i>IRQ6*</i>    | 35  | <i>GND</i>      |
| 6   | <i>SYSRESET*</i> | 21  | <i>GND</i>      | 36  | <i>IRQ1*</i>    |
| 7   | <i>GND</i>       | 22  | <i>IRQ5*</i>    | 37  | <i>GND</i>      |
| 8   | <i>TRIG7+</i>    | 23  | <i>GND</i>      | 38  | <i>TRIG2+</i>   |
| 9   | <i>TRIG7-</i>    | 24  | <i>IRQ4*</i>    | 39  | <i>TRIG2-</i>   |
| 10  | <i>TRIG6+</i>    | 25  | <i>GND</i>      | 40  | <i>TRIG1+</i>   |
| 11  | <i>TRIG6-</i>    | 26  | <i>TRIG4+</i>   | 41  | <i>TRIG1-</i>   |
| 12  | <i>TRIG5+</i>    | 27  | <i>TRIG4-</i>   | 42  | <i>TRIG0+</i>   |
| 13  | <i>TRIG5-</i>    | 28  | <i>TRIG3+</i>   | 43  | <i>TRIG0-</i>   |
| 14  | <i>Reserved</i>  | 29  | <i>TRIG3-</i>   | 44  | <i>TERMPWR</i>  |
| 15  | <i>CLK+</i>      | 30  | <i>CLK-</i>     |     |                 |

Table D-4. INTX Signal Groupings

| Category      | Description       | Signal Name        | Lines | Type § |
|---------------|-------------------|--------------------|-------|--------|
| Interrupts    | INTX Interrupt    | <i>IRQ7-1*</i>     | 7     | O.C.   |
| Triggers      | INTX Trigger      | <i>TRIG7-0 +,-</i> | 16    | Diff   |
| Utility Lines | INTX SYSRESET     | <i>SYSRESET*</i>   | 1     | O.C.   |
|               | INTX SYSFAIL      | <i>SYSFAIL*</i>    | 1     | O.C.   |
|               | INTX ACFAIL       | <i>ACFAIL*</i>     | 1     | O.C.   |
| System Clock  | INTX CLK10        | <i>CLK+,-</i>      | 2     | Diff   |
| Power         | Ground            | <i>GND</i>         | 10    |        |
|               | Termination Power | <i>TERMPWR</i>     | 1     | ---    |
| Reserved      | Reserved Pin      | <i>Reserved</i>    | 5     | ---    |

§ The type of signal grouping is abbreviated in the preceding table as follows:

O.C. represents an Open Collector (trapezoidal) DS3862 or DS3662.

Diff represents a Differential RS485.

# Appendix E

## Configuring a Two-Frame System

---

This appendix describes how to configure a system containing two mainframes linked by VXI-MXI modules.

### Configuring VXI-MXIs for a Two-Frame System

The factory configuration of the VXI-MXI is suitable for the most common system configurations. However, a VXI system using VXI-MXI modules to extend from one mainframe to another requires that you reconfigure the VXI-MXIs. You can find more information about configuring a multiframe system in Chapter 3, *Configuration and Installation*, which describes the switch settings, and Chapter 5, *Programming Considerations*, which describes the partitions of system resources, including logical addresses. This appendix is a quick reference for systems such as the one in Figure E-1, which consists of two VXI mainframes connected by a single MXIbus link.

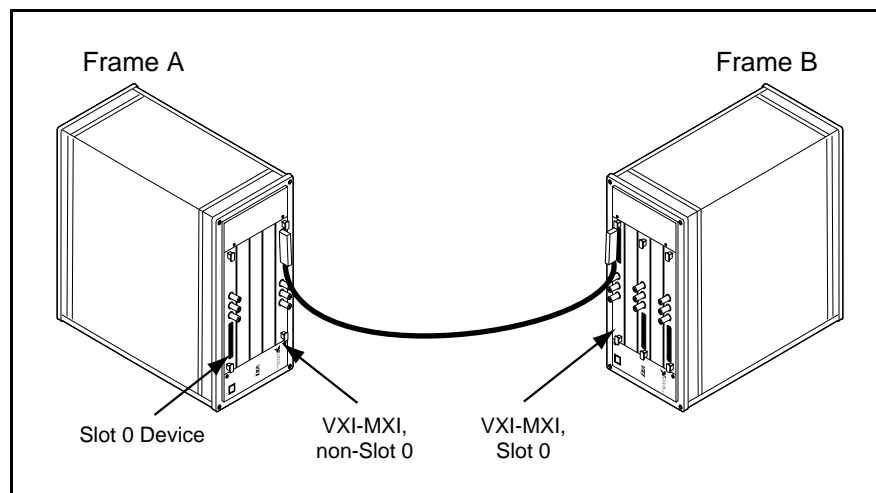


Figure E-1. A Two-Frame VXI System

The next two figures show the configuration of VXI-MXIs not equipped with the INTX daughter card option in a two-frame VXI system. Figure E-2 shows the configuration of the VXI-MXI in Frame A. Figure E-3 shows the configuration of the VXI-MXI in Frame B. You can find more detailed drawings of each configurable jumper and switch in Chapter 3.

Figures E-4 and E-5 show the configuration of two VXI-MXIs equipped with the INTX daughter card option in the same two-frame VXI system. Figure E-4 shows the VXI-MXI in Frame A and Figure E-5 shows the VXI-MXI in Frame B.

**Note:** *In the following figures, the switches and jumpers that you need to change from the default settings are circled.*

Figure E-2 shows the necessary settings of the VXI-MXI configuration jumpers and switches for a VXI-MXI without the INTX option installed in Frame A.

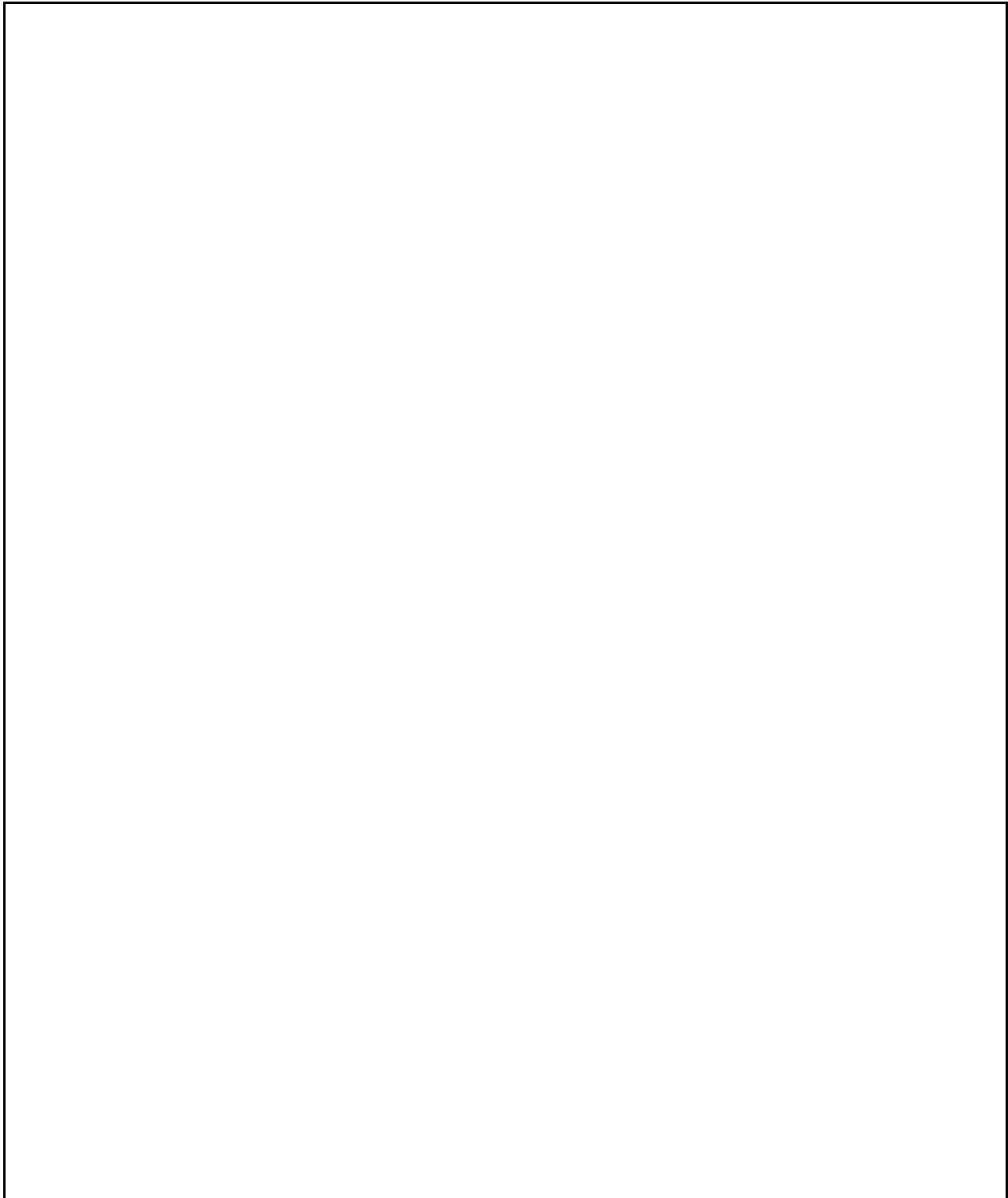


Figure E-2. VXI-MXI in Frame A without INTX

Figure E-3 shows the necessary settings of the VXI-MXI configuration jumpers and switches for a VXI-MXI without the INTX option installed in Frame B.



Figure E-3. VXI-MXI in Frame B without INTX

Figure E-4 shows the necessary settings of the VXI-MXI configuration jumpers and switches for a VXI-MXI with the INTX option installed in Frame A.

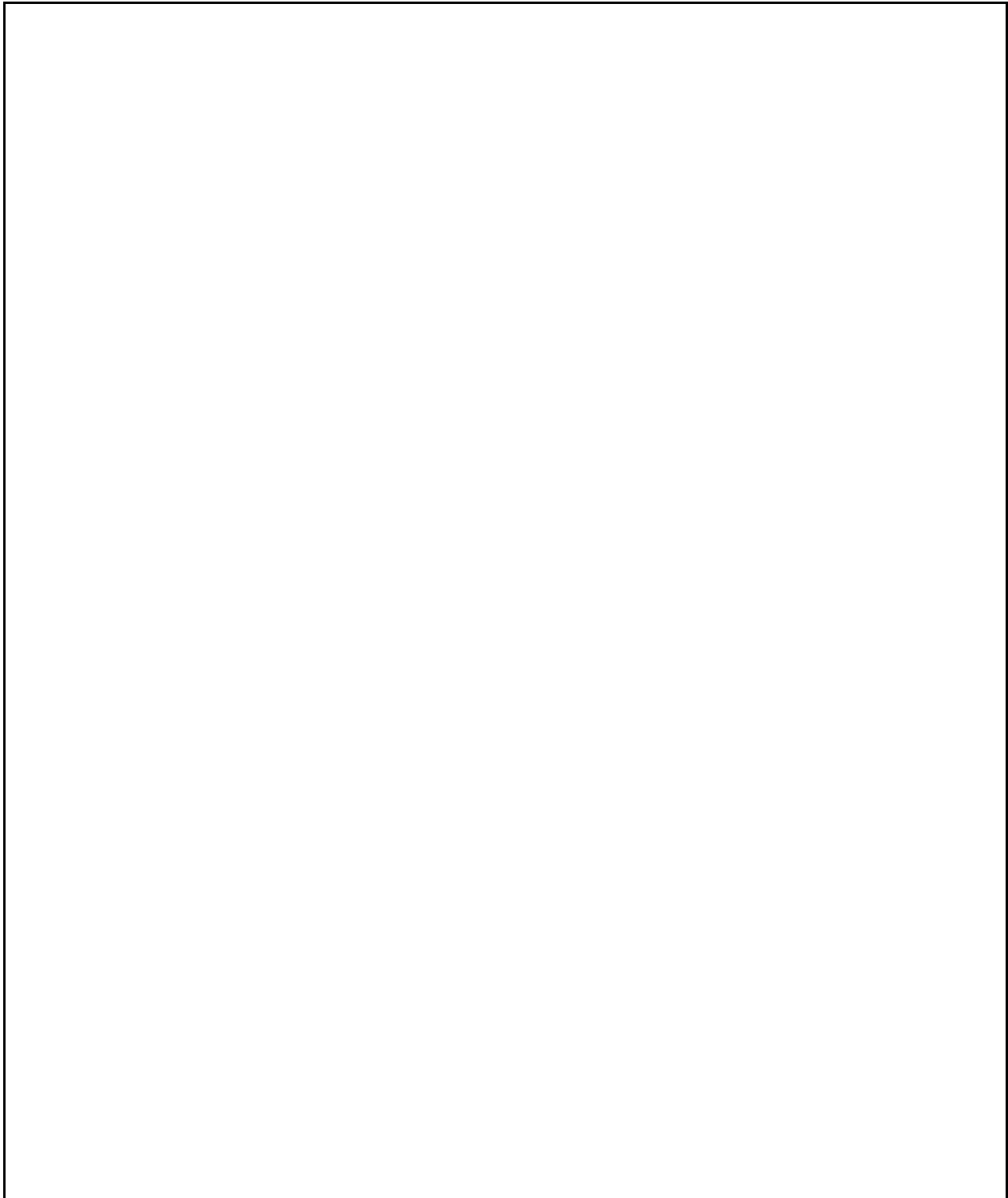


Figure E-4. VXI-MXI in Frame A with INTX

Figure E-5 shows the necessary settings of the VXI-MXI configuration jumpers and switches for a VXI-MXI with the INTX option installed in Frame B.



Figure E-5. VXI-MXI in Frame B with INTX

## Configuration Requirements for Two-Frame System

This section contains miscellaneous information you need to consider as you configure a two-frame system.

### BTO Unit

Notice that although the VXI-MXI in Frame A is not the VXI System Controller (not a Slot 0 device) it still has the VXI BTO unit. This VXI-MXI is, however, the MXIbus System Controller and therefore has the MXI BTO unit as well.

### Logical Addresses

Frame A contains logical addresses in the range of 0 to 7F hex. The Resource Manager must be Logical Address 0. The VXI-MXI is Logical Address 1. Ensure that no other devices in that frame have either of these logical addresses. In addition, no devices in Frame A should have logical addresses of 80 hex or above (except for FF hex).

Frame B contains logical addresses from 80 hex to FE hex. The VXI-MXI in Frame B has Logical Address 80 hex. Make sure that no other devices in Frame B have logical addresses of 80 hex or below.

Logical Address FF hex is reserved for dynamically configurable devices. You can put these devices in either frame.

### CLK10 Mapping

CLK 10 is routed from Frame A to Frame B over INTX in Figures E-4 and E-5. Refer to the *INTX CLK10 Mapping* section of Chapter 3 if you want to change this configuration.



# Appendix F

## Customer Communication

---

For your convenience, this appendix contains forms to help you gather the information necessary to help us solve technical problems you might have as well as a form you can use to comment on the product documentation. Filling out a copy of the *Technical Support Form* before contacting National Instruments helps us help you better and faster.

National Instruments provides comprehensive technical assistance around the world. In the U.S. and Canada, applications engineers are available Monday through Friday from 8:00 a.m. to 6:00 p.m. (central time). In other countries, contact the nearest branch office. You may fax questions to us at any time.

### Corporate Headquarters

(800) 433-3488 (toll-free U.S. and Canada)

Technical Support fax: (512) 794-5678

| <b>Branch Offices</b> | <b>Phone Number</b> | <b>Fax Number</b> |
|-----------------------|---------------------|-------------------|
| Australia             | 03 879 9422         | 03 879 9179       |
| Austria               | 0662 435986         | 0662 437010 19    |
| Belgium               | 02 757 00 20        | 02 757 03 11      |
| Denmark               | 45 76 26 00         | 45 76 71 11       |
| Finland               | 90 527 2321         | 90 502 2930       |
| France                | 1 48 65 33 00       | 1 48 65 19 07     |
| Germany               | 089 7 14 50 93      | 089 7 14 60 35    |
| Italy                 | 02 48301892         | 02 48301915       |
| Japan                 | 03 3788 1921        | 03 3788 1923      |
| Netherlands           | 01720 45761         | 01720 42140       |
| Norway                | 03 846866           | 03 846860         |
| Spain                 | 91 640 0085         | 91 640 0533       |
| Sweden                | 08 730 49 70        | 08 730 43 70      |
| Switzerland           | 056 27 00 20        | 056 27 00 25      |
| U.K.                  | 0635 523545         | 0635 523154       |

or 0800 289877 (in U.K. only)

# Technical Support Form

---

Photocopy this form and update it each time you make changes to your software or hardware, and use the completed copy of this form as a reference for your current configuration. Completing this form accurately before contacting National Instruments for technical support helps our applications engineers answer your questions more efficiently.

If you are using any National Instruments hardware or software products related to this problem, include the configuration forms from their user manuals. Use additional pages if necessary.

Name \_\_\_\_\_

Company \_\_\_\_\_

Address \_\_\_\_\_

\_\_\_\_\_

Fax ( \_\_\_ ) \_\_\_\_\_ Phone ( \_\_\_ ) \_\_\_\_\_

Computer brand \_\_\_\_\_ Model \_\_\_\_\_ Processor \_\_\_\_\_

Operating system \_\_\_\_\_

Speed \_\_\_\_\_ MHz RAM \_\_\_\_\_ MB Display adapter \_\_\_\_\_

Mouse \_\_\_\_\_ yes \_\_\_\_\_ no Other adapters installed \_\_\_\_\_

Hard disk capacity \_\_\_\_\_ MB Brand \_\_\_\_\_

Instruments used \_\_\_\_\_

National Instruments hardware product model \_\_\_\_\_ Revision \_\_\_\_\_

Configuration \_\_\_\_\_

National Instruments software product \_\_\_\_\_ Version \_\_\_\_\_

Configuration \_\_\_\_\_

The problem is \_\_\_\_\_

\_\_\_\_\_

\_\_\_\_\_

\_\_\_\_\_

\_\_\_\_\_

List any error messages \_\_\_\_\_

\_\_\_\_\_

\_\_\_\_\_

\_\_\_\_\_

The following steps will reproduce the problem \_\_\_\_\_

\_\_\_\_\_

\_\_\_\_\_

\_\_\_\_\_

\_\_\_\_\_

# VXI-MXI Hardware and Software Configuration Form

---

Record the settings and revisions of your hardware and software on the line to the right of each item. Complete a new copy of this form each time you revise your software or hardware configuration, and use this form as a reference for your current configuration. Completing this form accurately before contacting National Instruments for technical support helps our applications engineers answer your questions more efficiently.

## National Instruments Products

- VXI-MXI Module Part Number 181045 - \_\_\_\_\_
- Serial Number \_\_\_\_\_
- Revision Number \_\_\_\_\_
- VXIbus Slot 0? \_\_\_\_\_
- VXIbus Logical Address \_\_\_\_\_
- VMEbus Request Level (3, 2, 1, or 0) \_\_\_\_\_
- VMEbus Timeout Value \_\_\_\_\_
- VMEbus Timeout Chain Position \_\_\_\_\_
- Interlocked Bus Cycle Mode or Normal Operating Mode \_\_\_\_\_
- MXIbus System Controller? \_\_\_\_\_
- MXIbus System Controller Timeout Value \_\_\_\_\_
- MXIbus Fair Requester? \_\_\_\_\_
- CLK10 Source Onboard/External/Disabled \_\_\_\_\_
- EXT CLK SMB Input/Output \_\_\_\_\_
- Trigger Input Terminated? \_\_\_\_\_
- Pushbutton System Reset (SYSRESET\* or ACFAIL\*) \_\_\_\_\_
- MXIbus Terminators Installed? \_\_\_\_\_
- INTX CLK10 Mapping (INTX only) \_\_\_\_\_
- INTX Terminators Installed? (INTX only) \_\_\_\_\_

# Other Products

- Other MXIbus Devices in System

| Manufacturer | Model | Function | Slot | Logical Address |
|--------------|-------|----------|------|-----------------|
|              |       |          |      |                 |
|              |       |          |      |                 |
|              |       |          |      |                 |
|              |       |          |      |                 |

- Other VXIbus Devices

| Manufacturer | Model | Function | Slot | Logical Address |
|--------------|-------|----------|------|-----------------|
|              |       |          |      |                 |
|              |       |          |      |                 |
|              |       |          |      |                 |
|              |       |          |      |                 |

- Address Space(s) and Size(s) of Other Devices: \_\_\_\_\_

\_\_\_\_\_

\_\_\_\_\_

\_\_\_\_\_

- VXI Interrupt Level(s) of Other Devices: \_\_\_\_\_

\_\_\_\_\_

\_\_\_\_\_

\_\_\_\_\_

- VXIbus Mainframe Make and Model: \_\_\_\_\_

\_\_\_\_\_

\_\_\_\_\_

\_\_\_\_\_

- VXIbus/MXIbus Resource Manager (Make, Model, Version, Software Version): \_\_\_\_\_

# Documentation Comment Form

---

National Instruments encourages you to comment on the documentation supplied with our products. This information helps us provide quality products to meet your needs.

Title: **VXI-MXI User Manual**

Edition Date: **October 1993**

Part Number: **320222-01**

Please comment on the completeness, clarity, and organization of the manual.

---

---

---

---

---

---

---

---

---

---

If you find errors in the manual, please record the page numbers and describe the errors.

---

---

---

---

---

---

---

---

---

---

Thank you for your help.

Name \_\_\_\_\_

Title \_\_\_\_\_

Company \_\_\_\_\_

Address \_\_\_\_\_

\_\_\_\_\_

Phone ( \_\_\_\_\_ ) \_\_\_\_\_

Mail to: Technical Publications  
National Instruments Corporation  
6504 Bridge Point Parkway, MS 53-02  
Austin, TX 78730-5039

Fax to: Technical Publications  
National Instruments Corporation  
MS 53-02  
(512) 794-5678

# Glossary

---

| Prefix  | Meaning | Value     |
|---------|---------|-----------|
| n-      | nano-   | $10^{-9}$ |
| $\mu$ - | micro-  | $10^{-6}$ |
| m-      | milli-  | $10^{-3}$ |
| K-      | kilo-   | $10^3$    |
| M-      | mega-   | $10^6$    |
| g-      | giga-   | $10^9$    |

## Symbols

|   |               |
|---|---------------|
| ° | degrees       |
|   | ohms          |
| % | percent       |
| ± | plus or minus |

## A

|           |                                                                                                                                                                                                                                             |
|-----------|---------------------------------------------------------------------------------------------------------------------------------------------------------------------------------------------------------------------------------------------|
| A         | amperes                                                                                                                                                                                                                                     |
| A16 Space | VXIbus address space equivalent to the VME 64 KB <i>short</i> address space. In VXI, the upper 16 KB of A16 space is allocated for use by VXI devices configuration registers. This 16 KB region is referred to as VXI Configuration space. |
| A24 Space | VXIbus address space equivalent to the VME 16 MB <i>standard</i> address space.                                                                                                                                                             |
| A32 Space | VXIbus address space equivalent to the VME 4 GB <i>extended</i> address space.                                                                                                                                                              |
| ACFAIL*   | A VMEbus backplane signal that is asserted when a power failure has occurred (either AC line source or power supply malfunction), or if it is necessary to disable the power supply (such as a high temperature condition).                 |
| Address   | Character code that identifies a specific location (or series of locations) in memory.                                                                                                                                                      |

|                       |                                                                                                                                                                                                                                                                                                                                                                                      |
|-----------------------|--------------------------------------------------------------------------------------------------------------------------------------------------------------------------------------------------------------------------------------------------------------------------------------------------------------------------------------------------------------------------------------|
| Address Modifier      | One of six signals in the VMEbus specification used by VMEbus masters to indicate the address space and mode (supervisory/nonprivileged, data/program/block) in which a data transfer is to take place.                                                                                                                                                                              |
| Address Space         | A set of $2^n$ memory locations differentiated from other such sets in VXI/VMEbus systems by six addressing lines known as address modifiers. $n$ is the number of address lines required to uniquely specify a byte location in a given space. Valid numbers for $n$ are 16, 24, and 32. In VME/VXI, because there are six address modifiers, there are 64 possible address spaces. |
| Address Strobe        | A VMEbus or MXIbus signal used to indicate that valid addressing information exists and may be decoded.                                                                                                                                                                                                                                                                              |
| Address Window        | A portion of address space that can be accessed from the application program.                                                                                                                                                                                                                                                                                                        |
| ANSI                  | American National Standards Institute                                                                                                                                                                                                                                                                                                                                                |
| Arbiter               | Circuitry providing the bus arbitration mechanism for a system.                                                                                                                                                                                                                                                                                                                      |
| Arbitration           | A process in which a potential bus master gains control of a bus.                                                                                                                                                                                                                                                                                                                    |
| Asynchronous          | Not synchronized; not controlled by time signals.                                                                                                                                                                                                                                                                                                                                    |
| Asynchronous Protocol | A two-device, two-line handshake trigger protocol using two consecutive even/odd trigger lines (a source/acceptor line and an acknowledge line).                                                                                                                                                                                                                                     |
| <b>B</b>              |                                                                                                                                                                                                                                                                                                                                                                                      |
| B                     | Bytes                                                                                                                                                                                                                                                                                                                                                                                |
| Backplane             | An assembly, typically a printed circuit board, with 96-pin connectors and signal paths that bus the connector pins. A C-size VXIbus system will have two sets of bused connectors called J1 and J2. A D-size VXIbus system will have three sets of bused connectors called J1, J2, and J3.                                                                                          |
| Base Address          | A specified address that is combined with a <i>relative</i> address to determine the <i>absolute</i> address of a data location. All VXI address windows have an associated base address for their assigned VXI address spaces.                                                                                                                                                      |
| BERR*                 | Bus Error signal. This signal is asserted by either a slave device or the BTO unit when an incorrect transfer is made on the Data Transfer Bus (DTB). The BERR* signal is also used in VXI for certain protocol implementations such as writes to a full Signal register and synchronization under the Fast Handshake Word Serial Protocol.                                          |
| Bit                   | Binary digit. The smallest possible unit of data: a two-state, yes/no, 0/1 alternative. The building block of binary coding and numbering systems. Eight bits make up a <i>byte</i> .                                                                                                                                                                                                |
| Block Data Rate       | Transfer rate when using MXIbus block-mode transfers.                                                                                                                                                                                                                                                                                                                                |

|                          |                                                                                                                                                                                                                                                                                                                                                                                                   |
|--------------------------|---------------------------------------------------------------------------------------------------------------------------------------------------------------------------------------------------------------------------------------------------------------------------------------------------------------------------------------------------------------------------------------------------|
| Block-mode Transfer      | An uninterrupted transfer of data elements in which the master sources only the first address at the beginning of the cycle. The slave is then responsible for incrementing the address on subsequent transfers so that the next element is transferred to or from the proper storage location. In VME, the data transfer may have no more than 256 elements; MXI does not have this restriction. |
| BTO                      | Bus Timeout Unit; a functional module that times the duration of each data transfer and terminates the cycle if the duration is excessive. Without the termination capability of this module, a Bus Master attempt to access a nonexistent slave could result in an indefinitely long wait for a slave response.                                                                                  |
| Bus Master               | A device that is capable of requesting the Data Transfer Bus (DTB) for the purpose of accessing a slave device.                                                                                                                                                                                                                                                                                   |
| Byte                     | A grouping of adjacent binary digits operated on as a single unit. Most commonly consists of eight bits.                                                                                                                                                                                                                                                                                          |
| <b>C</b>                 |                                                                                                                                                                                                                                                                                                                                                                                                   |
| C                        | Celsius                                                                                                                                                                                                                                                                                                                                                                                           |
| Clearing                 | Replacing the information in a register, storage location, or storage unit with zeros or blanks.                                                                                                                                                                                                                                                                                                  |
| CLK10                    | A 10 MHz, $\pm 100$ ppm, individually buffered (to each module slot), differential ECL system clock that is sourced from Slot 0 and distributed to Slots 1 through 12 on P2. It is distributed to each slot as a single-source, single-destination signal with a matched delay of under 8 ns.                                                                                                     |
| Commander                | A Message-Based device which is also a bus master and can control one or more Servants.                                                                                                                                                                                                                                                                                                           |
| Command                  | A directive to a device. In VXI, three types of commands exists:<br>In Word Serial Protocol, a 16-bit imperative to a servant from its Commander (written to the Data Low register);<br>In Shared Memory Protocol, a 16-bit imperative from a client to a server, or vice versa (written to the Signal register);<br>In Instrument devices, an ASCII-coded, multi-byte directive.                 |
| Communications Registers | In Message-Based devices, a set of registers that are accessible to the Commander and are used for performing Word Serial Protocol communications. Not present in Register-Based devices such as the VXI-MXI.                                                                                                                                                                                     |



**Configuration Registers** A set of registers through which the system can identify a module device requirements. In order to support automatic system and memory configuration, the VXIbus specification requires that all VXIbus devices have a set of such registers, all accessible from the P1 connector on the VMEbus.

**Configuration Space** The upper 16 KB of A16 space in which the configuration registers for VXI and MXIbus devices exist.

**Controller** An intelligent device (usually involving a CPU) that is capable of controlling other devices.

## **D**

**DACK** DMA Acknowledge

**Daisy-Chain** A signal line used to propagate a signal level from board to board on a priority basis, starting with the first slot and ending with the last slot.

**Data Strobe** A signal used to inform a slave that valid data exists on the bus or used to request that a slave place data on the bus.

**Data Transfer Bus** DTB; one of four buses on the VMEbus backplane. The DTB is used by a bus master to transfer binary data between itself and a slave device.

**Daughter Card** A board that plugs directly into the expansion connectors of another board. The VXI-MXI is available with or without a daughter card option called the INTX card.

**Deadlock** Unresolved situation in which two devices are vying for the use of a resource.

**DIP** Dual Inline Package

**DMA** Direct Memory Access; a method by which data is transferred between devices and internal memory without intervention of the central processing unit.

**DRQ** DMA Request

**DTACK** Data Transfer Acknowledge

**Dynamic Configuration** A method of automatically assigning logical addresses to VXIbus devices at system startup or other configuration times.

**Dynamically Configured Device** A device that has its logical address assigned by the Resource Manager. A VXI device initially responds at Logical Address 255 when its MODID line is asserted. A MXIbus device responds at Logical Address 255 during a priority select cycle. The Resource Manager subsequently assigns it a new logical address, which the device responds to until powered down. The VXI-MXI cannot be dynamically configured.

## **E**

**ECL** Emitter-Coupled Logic

**EMI** electromagnetic interference

**Extended Class Device** A class of VXIbus device defined for future expansion of the VXIbus specification. These devices have a subclass register within their configuration space that defines the type of extended device. The VXI-MXI is an extended class mainframe extender device.

## **F**

**Fair Requester** A MXIbus master that will not arbitrate for the MXIbus after releasing it until it detects the bus request signal inactive. This ensures that all requesting devices will be granted use of the bus.

**FCC** Federal Communications Commission

## **G**

**GB** gigabytes of memory

**GIN** Daisy-chain Grant In signal

**GOUT** Daisy-chain Grant Out signal

**GPIB** General Purpose Interface Bus; the industry standard IEEE 488 bus.

## **H**

**Hard Reset** Occurs when the mainframe is powered on and when the VMEbus SYSRESET signal is active. A hard reset clears all the registers on the VXI-MXI.

**Hex** Hexadecimal; the numbering system with base 16, using the digits 0 to 9 and letters A to F.

**Hz** hertz; cycles per second.

## I

|                              |                                                                                                                                                                                                                                                                                                  |
|------------------------------|--------------------------------------------------------------------------------------------------------------------------------------------------------------------------------------------------------------------------------------------------------------------------------------------------|
| IACK                         | Interrupt Acknowledge                                                                                                                                                                                                                                                                            |
| IC                           | Integrated Circuit                                                                                                                                                                                                                                                                               |
| IEEE                         | Institute of Electrical and Electronics Engineers                                                                                                                                                                                                                                                |
| IEEE 1014                    | The VME specification.                                                                                                                                                                                                                                                                           |
| in.                          | inches                                                                                                                                                                                                                                                                                           |
| I/O                          | input/output; the techniques, media, and devices used to achieve communication between entities.                                                                                                                                                                                                 |
| Interlocked Arbitration Mode | Contrasted with <i>Normal Operating Mode</i> ; an optional mode of operation in which the system performs as one large VXIbus mainframe with only one master of the entire system (VXIbus and MXIbus) at any given moment. In this mode there is no chance for a deadlock situation.             |
| Interrupt                    | A means for a device to request service from another device.                                                                                                                                                                                                                                     |
| Interrupt Handler            | A functional module that detects interrupt requests generated by interrupters and performs appropriate actions.                                                                                                                                                                                  |
| Interrupter                  | A device capable of asserting interrupts and responding to an interrupt acknowledge cycle.                                                                                                                                                                                                       |
| INTX                         | Interrupt and Timing Extension; a daughter card option that plugs into the two daughter card connectors on the VXI-MXI. It extends the seven VMEbus interrupt lines, the eight VXIbus TTL trigger lines, the VXIbus CLK10 signal, and the VMEbus reset signals SYSRESET*, SYSFAIL*, and ACFAIL*. |
| ISA                          | Industry Standard Architecture                                                                                                                                                                                                                                                                   |
| <b>K</b>                     |                                                                                                                                                                                                                                                                                                  |
| KB                           | kilobytes of memory                                                                                                                                                                                                                                                                              |
| <b>L</b>                     |                                                                                                                                                                                                                                                                                                  |
| Latch                        | To sample a signal and remember its value.                                                                                                                                                                                                                                                       |
| LED                          | light-emitting diode                                                                                                                                                                                                                                                                             |
| Logical Address              | An 8-bit number that uniquely identifies the location of a VXIbus device's configuration registers in a system. The A16 base address of a device is C000h + Logical Address * 40h.                                                                                                               |
| LSB                          | Least Significant Bit (bit 0)                                                                                                                                                                                                                                                                    |

**M**

|                          |                                                                                                                                                                                                                                                                                                                                                                         |
|--------------------------|-------------------------------------------------------------------------------------------------------------------------------------------------------------------------------------------------------------------------------------------------------------------------------------------------------------------------------------------------------------------------|
| MB                       | megabytes of memory                                                                                                                                                                                                                                                                                                                                                     |
| m                        | meters                                                                                                                                                                                                                                                                                                                                                                  |
| Mainframe Extender       | A device such as the VXI-MXI that interfaces a VXIbus mainframe to an interconnect bus. It routes bus transactions from the VXIbus to the interconnect bus or vice versa. A mainframe extender has a set of registers that defines the routing mechanisms for data transfers, interrupts, triggers, and utility bus signals, and has optional VXIbus Slot 0 capability. |
| Mapping                  | Establishing a range of address space for a one-to-one correspondence between each address in the window and an access in VXIbus memory.                                                                                                                                                                                                                                |
| Master                   | A functional part of a MXI/VME/VXIbus device that initiates data transfers on the backplane. A transfer can be either a read or a write.                                                                                                                                                                                                                                |
| Master-Mode Operation    | A device is in master mode if it is performing a bus cycle.                                                                                                                                                                                                                                                                                                             |
| MBytes/s                 | One million bytes per second; a measure of data transfer rate.                                                                                                                                                                                                                                                                                                          |
| Memory Device            | A VXIbus device that not only has configuration registers, but also has memory that is accessible through addresses on the VME/VXI data transfer bus.                                                                                                                                                                                                                   |
| Message-Based Device     | An intelligent device that implements the defined VXIbus registers and communication protocols. These devices are able to use Word Serial Protocol to communicate with one another through communication registers.                                                                                                                                                     |
| MODID                    | A set of signal lines on the VXI backplane that VXI systems use to identify which modules are located in which slots in the mainframe.                                                                                                                                                                                                                                  |
| MSB                      | Most Significant Bit (bit 15 in a 16-bit register)                                                                                                                                                                                                                                                                                                                      |
| MTBF                     | Mean Time Between Failure                                                                                                                                                                                                                                                                                                                                               |
| Multiframe               | A system consisting of more than one mainframe connected together to act as one; it can have multiple Slot 0 devices but only one global Resource Manager.                                                                                                                                                                                                              |
| MXIbus                   | Multisystem eXtension Interface Bus; a high-performance communication link that interconnects devices using round, flexible cables.                                                                                                                                                                                                                                     |
| MXIbus System Controller | A functional module that has arbiter, daisy-chain driver, and MXIbus cycle timeout responsibility. Always the first device in the MXIbus daisy-chain.                                                                                                                                                                                                                   |

## N

|                       |                                                                                                                                                                                                                                                                      |
|-----------------------|----------------------------------------------------------------------------------------------------------------------------------------------------------------------------------------------------------------------------------------------------------------------|
| Nonprivileged Access  | One of the defined types of VMEbus data transfers; indicated by certain address modifier codes. Each of the defined VMEbus address spaces has a defined nonprivileged access mode.                                                                                   |
| Non-Slot 0 Device     | A device configured for installation in any slot in a VXIbus mainframe other than Slot 0. Installing such a device into Slot 0 can damage the device, the VXIbus backplane, or both. The VXI-MXI can be configured as either a Slot 0 device or a Non-Slot 0 device. |
| Normal Operating Mode | Contrasted with <i>Interlocked Arbitration Mode</i> ; in this mode there can be masters operating simultaneously in the VXIbus/MXIbus system. Vulnerable to deadlock situations.                                                                                     |

## P

|                   |                                                                                                                                                                                                                                                          |
|-------------------|----------------------------------------------------------------------------------------------------------------------------------------------------------------------------------------------------------------------------------------------------------|
| P1                | The minimum connector required for a VMEbus system. It includes 24 address lines, 16 data lines, and all control, arbitration, and interrupt signals.                                                                                                    |
| P2                | A second VMEbus connector providing 32 bits of address and data. In VXI, the P2 connector adds trigger, MODID, and CLK10 signals.                                                                                                                        |
| Parity            | Ensures that there is always either an even number or an odd number of asserted bits in a byte, character, or word, according to the logic of the system. If a bit should be lost in data transmission, its loss can be detected by checking the parity. |
| PC                | Personal Computer                                                                                                                                                                                                                                        |
| PRI               | Priority                                                                                                                                                                                                                                                 |
| Privileged Access | See <i>Supervisory Access</i> .                                                                                                                                                                                                                          |
| Propagation       | The transmission of signals through a computer system.                                                                                                                                                                                                   |

## R

|                       |                                                                                                                                                                                                                                      |
|-----------------------|--------------------------------------------------------------------------------------------------------------------------------------------------------------------------------------------------------------------------------------|
| Read                  | To get information from any input device or file storage media.                                                                                                                                                                      |
| Register-Based Device | A Servant-only device that supports VXIbus configuration registers. Register-Based devices are typically controlled by Message-Based devices via device-dependent register reads and writes. The VXI-MXI is a Register-Based device. |

|                           |                                                                                                                                                                                                                                                                                                                                                                                                                                                                                                                         |
|---------------------------|-------------------------------------------------------------------------------------------------------------------------------------------------------------------------------------------------------------------------------------------------------------------------------------------------------------------------------------------------------------------------------------------------------------------------------------------------------------------------------------------------------------------------|
| Resource Manager          | A Message-Based Commander located at Logical Address 0, which provides configuration management services such as address map configuration, Commander and Servant mappings, and self-test and diagnostic management.                                                                                                                                                                                                                                                                                                    |
| Response                  | A signal or interrupt generated by a device to notify another device of an asynchronous event. Responses contain the information in the Response register of a sender.                                                                                                                                                                                                                                                                                                                                                  |
| RM                        | See <i>Resource Manager</i> .                                                                                                                                                                                                                                                                                                                                                                                                                                                                                           |
| RMW                       | Read-Modify-Write cycle; a bus cycle in which data from a single location is read, modified, and then written back.                                                                                                                                                                                                                                                                                                                                                                                                     |
| ROAK                      | Release On Acknowledge; a type of VXI interrupter which always deasserts its interrupt line in response to an IACK cycle on the VXIbus.                                                                                                                                                                                                                                                                                                                                                                                 |
| ROR                       | Release On Request; a type of VMEbus arbitration where the current VMEbus master relinquishes control of the bus only when another bus master requests the VMEbus.                                                                                                                                                                                                                                                                                                                                                      |
| <b>S</b>                  |                                                                                                                                                                                                                                                                                                                                                                                                                                                                                                                         |
| s                         | seconds                                                                                                                                                                                                                                                                                                                                                                                                                                                                                                                 |
| Semi-Synchronous Protocol | A one-line, open collector, multiple-device handshake trigger protocol.                                                                                                                                                                                                                                                                                                                                                                                                                                                 |
| Servant                   | A device controlled by a Commander; there are Message-Based and Register-Based Servants.                                                                                                                                                                                                                                                                                                                                                                                                                                |
| Setting                   | To place a binary cell into the 1 state (non-zero).                                                                                                                                                                                                                                                                                                                                                                                                                                                                     |
| Signal                    | Any communication between Message-Based devices consisting of a write to a Signal register. Sending a signal requires that the sending device have VMEbus master capability.                                                                                                                                                                                                                                                                                                                                            |
| Slave                     | A functional part of a MXI/VME/VXIbus device that detects data transfer cycles initiated by a VMEbus master and responds to the transfers when the address specifies one of the device's registers.                                                                                                                                                                                                                                                                                                                     |
| Slave-Mode Operation      | A device is in slave mode if it is responding to a bus cycle.                                                                                                                                                                                                                                                                                                                                                                                                                                                           |
| Slot 0 Device             | A device configured for installation in Slot 0 of a VXIbus mainframe. This device is unique in the VXIbus system in that it performs the VMEbus System Controller functions, including clock sourcing, arbitration for data transfers across the backplane, and MODID functions. Additional Slot 0 services include trigger control. Installing such a device into any other slot can damage the device, the VXIbus backplane, or both. The VXI-MXI can be configured as either a Slot 0 device or a Non-Slot 0 device. |

|                              |                                                                                                                                                                                                                                                                                                                                                         |
|------------------------------|---------------------------------------------------------------------------------------------------------------------------------------------------------------------------------------------------------------------------------------------------------------------------------------------------------------------------------------------------------|
| SMB                          | Sub-miniature BNC; a miniature connector for coaxial cable connections.                                                                                                                                                                                                                                                                                 |
| Soft Reset                   | Occurs when the RESET bit in the VXIbus Control Register of the VXI-MXI is set. A soft reset clears signals that are asserted by bits in the configuration registers but does not clear configuration information stored in the configuration registers.                                                                                                |
| Start/Stop Protocol          | A one-line, multiple-device protocol which can be sourced only by the VXI Slot 0 device and sensed by any other device on the VXI backplane.                                                                                                                                                                                                            |
| Statically Configured Device | A device whose logical address cannot be set through software; that is, it is not dynamically configurable. The VXI-MXI is a statically configured device.                                                                                                                                                                                              |
| Status/ID                    | A value returned during an IACK cycle. In VME, usually an 8-bit value which is either a status/data value or a vector/ID value used by the processor to determine the source. In VXI, a 16-bit value used as a data; the lower 8 bits form the VXI logical address of the interrupting device and the upper 8 bits specify the reason for interrupting. |
| Supervisory Access           | One of the defined types of VMEbus data transfers; indicated by certain address modifier codes.                                                                                                                                                                                                                                                         |
| Synchronous Communications   | A communications system that follows the command/response cycle model. In this model, a device issues a command to another device; the second device executes the command and then returns a response. Synchronous commands are executed in the order they are received.                                                                                |
| Synchronous Protocol         | The most basic trigger protocol, simply a pulse of a minimum duration on any one of the trigger lines.                                                                                                                                                                                                                                                  |
| SYSFAIL*                     | System Fail; a signal that indicates when a failure has occurred in the system; can be generated by any board in the system.                                                                                                                                                                                                                            |
| SYSRESET*                    | System Reset; a signal that indicates a system reset or power-up condition.                                                                                                                                                                                                                                                                             |
| System Controller            | See <i>MXIbus System Controller, VXIbus System Controller</i> .                                                                                                                                                                                                                                                                                         |
| System Hierarchy             | The tree structure of the Commander/Servant relationships of all devices in the system at a given time. In the VXIbus structure, each Servant has a Commander. A Commander can in turn be a Servant to another Commander.                                                                                                                               |

## T

|             |                                                                                                                                                                                  |
|-------------|----------------------------------------------------------------------------------------------------------------------------------------------------------------------------------|
| Terminators | Also called <i>terminating networks</i> ; devices located at the ends of a MXIbus daisy-chain that are used to minimize reflections and bias signals to their unasserted states. |
|-------------|----------------------------------------------------------------------------------------------------------------------------------------------------------------------------------|

|                          |                                                                                                                                                                                                             |
|--------------------------|-------------------------------------------------------------------------------------------------------------------------------------------------------------------------------------------------------------|
| TERMPWR                  | Termination Power; 3.4 VDC for the MXIbus.                                                                                                                                                                  |
| Trigger                  | Either TTL or ECL lines used for intermodule communication.                                                                                                                                                 |
| TTL                      | Transistor-Transistor Logic                                                                                                                                                                                 |
| <b>V</b>                 |                                                                                                                                                                                                             |
| V                        | volts                                                                                                                                                                                                       |
| VDC                      | volts direct current                                                                                                                                                                                        |
| VMEbus                   | Versa Module Eurocard or IEEE 1014; the IEEE Standard for a Versatile Backplane Bus.                                                                                                                        |
| VXIbus                   | VMEbus Extensions for Instrumentation                                                                                                                                                                       |
| VXIbus System Controller | A functional module with circuitry that generates the 16 MHz system clock, provides the VMEbus arbiter and the VMEbus Bus Timer Unit, and drives the VXIbus CLK10 signal.                                   |
| <b>W</b>                 |                                                                                                                                                                                                             |
| Write                    | Copying data to a storage device.                                                                                                                                                                           |
| Word Serial Protocol     | The simplest required communication protocol supported by Message-Based devices in the VXIbus system. It utilizes the A16 communication registers to transfer data using a simple polling handshake method. |



# Index

---

## A

A16 Window Map Register, 4-14 to 4-17  
bit descriptions, 4-14 to 4-15, 4-16  
definition, 2-7  
description, 4-14  
example, 4-15  
format  
    CMODE bit cleared, 4-14  
    CMODE bit set, 4-16  
planning VXIbus/MXIbus system A16  
    address map  
    examples, 5-24 to 5-25  
    overview, 5-21  
    space allocation for size values, 5-21  
    to 5-22  
    steps for planning, 5-22 to 5-24  
    worksheet blanks, 5-29 to 5-34  
    worksheet examples, 5-26 to 5-29  
theory of operation, 6-6  
VMEbus configuration  
    considerations, 3-31  
A16BASE[7-0] bit, 4-15  
A16DIR bit, 4-14 to 4-15  
A16EN bit, 4-14  
A16HIGH[7-0] bit, 4-16  
A16LOW[7-0] bit, 4-16  
A16SIZE[2-0] bit, 4-15  
A24 Window Map Register, 4-18 to 4-21  
bit descriptions, 4-18 to 4-19, 4-20  
configuring for multiframe RM  
    operation, 5-38  
definition, 2-7  
description, 4-18  
example, 4-19  
format  
    CMODE bit cleared, 4-18  
    CMODE bit set, 4-20  
theory of operation, 6-6  
A24BASE[7-0] bit, 4-19  
A24DIR bit, 4-18, 4-19  
A24EN bit, 4-18, 4-19  
A24HIGH[7-0] bit, 4-20  
A24LOW[7-0] bit, 4-20  
A24SIZE[2-0] bit, 4-19  
A32 Window Map Register, 4-22 to 4-25  
bit descriptions, 4-22 to 4-23, 4-24  
configuring for multiframe RM  
    operation, 5-38

    definition, 2-7  
    description, 4-22  
    example, 4-23  
    format  
        CMODE bit cleared, 4-22  
        CMODE bit set, 4-24  
    theory of operation, 6-6  
A32BASE[7-0] bit, 4-23  
A32DIR bit, 4-22, 4-23  
A32EN bit, 4-22, 4-23  
A32HIGH[7-0] bit, 4-24  
A32LOW[7-0] bit, 4-24  
A32SIZE[2-0] bit, 4-23  
ACCDIR bit, 4-7  
ACFAIL bit, 4-47  
ACFAIL signal, 2-5, 6-3  
ACFAILIE bit, 4-47  
ACFAILIN bit, 4-29  
ACFAILINT bit, 4-46  
ACFAILOUT bit, 4-29  
ADDR bit, 4-4  
arbiter circuitry, VMEbus, 2-5, 6-2  
arbitration mode. *See* interlocked arbitration mode.  
ASIE bit, 4-44  
ASINT\* bit, 4-44  
Asynchronous protocol, 6-2

## B

Base and Size configuration format, 5-3  
to 5-4  
BERR signal, 3-13, 3-16  
bit descriptions. *See also* mnemonics key.  
    A16BASE[7-0], 4-15  
    A16DIR, 4-14 to 4-15  
    A16EN, 4-14  
    A16HIGH[7-0], 4-16  
    A16LOW[7-0], 4-16  
    A16SIZE[2-0], 4-15  
    A24BASE[7-0], 4-19  
    A24DIR, 4-18, 4-19  
    A24EN, 4-18, 4-19  
    A24HIGH[7-0], 4-20  
    A24LOW[7-0], 4-20  
    A24SIZE[2-0], 4-19  
    A32BASE[7-0], 4-23  
    A32DIR, 4-22, 4-23

A32EN, 4-22, 4-23  
 A32HIGH[7-0], 4-24  
 A32LOW[7-0], 4-24  
 A32SIZE[2-0], 4-23  
 ACCDIR, 4-7  
 ACFAIL, 4-47  
 ACFAILIE, 4-47  
 ACFAILIN, 4-29  
 ACFAILINT, 4-46  
 ACFAILOUT, 4-29  
 ADDR, 4-4  
 ASIE, 4-44  
 ASINT\*, 4-44  
 BKOFF, 4-46  
 BKOFFIE, 4-46  
 BOFFCLR, 4-35  
 CMODE, 4-32  
 DEVCLASS, 4-4  
 DIRQ[7-1], 4-47  
 DRVECL0, 4-40  
 DRVECL1, 4-40  
 DSYSFAIL, 4-33  
 DSYSRST, 4-34  
 DTRIG[7-0], 4-39  
 ECL0DIR, 4-33  
 ECL0EN, 4-33  
 ECL1DIR, 4-32  
 ECL1EN, 4-32  
 ECLSTAT0, 4-43  
 ECLSTAT1, 4-43  
 EDTYPE, 4-7  
 EINT[7-1]DIR, 4-26  
 EINT[7-1]EN, 4-26  
 ETOEN, 4-43  
 ETRG[7-0]DIR, 4-27  
 ETRG[7-0]EN, 4-27  
 ETRIG, 4-44  
 Extended P2 ECL Trigger Line Support  
   (1), 4-28  
 Extended P3 ECL Trigger Line Support  
   (1), 4-28  
 Extended TTL Trigger Line Support  
   (0), 4-28  
 Extended Utility Line Support (0), 4-28  
 FAIR, 4-34  
 I[15-0], 4-51  
 INTLCK, 4-33  
 IRQ[7-1], 4-47  
 ITS[3-0], 4-42  
 LABASE[7-0], 4-11  
 LADD[7-0], 4-39  
 LADIR, 4-10, 4-11  
 LAEN, 4-10, 4-11  
 LAHIGH[7-0], 4-12  
 LALOW[7-0], 4-12  
 LASIZE[2-0], 4-11  
 LINT[3-1], 4-45  
 LNGMXSCTO, 3-16, 4-35  
 LOCKED, 4-36  
 MANID, 4-5  
 MIRQ[7-1]DIR, 4-37 to 4-38  
 MIRQ[7-1]EN, 4-37, 4-38  
 MODEL, 4-6  
 MODID\*, 4-7  
 MODID[12-0], 4-9  
 MXACFAILEN, 4-35  
 MXACFAILINT, 4-35  
 MXBERR, 4-35  
 MXISC, 4-34  
 MXSCTO, 4-32  
 MXSRSTEN, 4-34  
 MXSRSTINT, 4-34  
 MXSYSFINT, 4-35  
 MXTRIGEN, 4-34  
 MXTRIGINT, 4-34  
 OMS[2-0], 4-41 to 4-42  
 OTS[3-0], 4-43  
 OUTEN, 4-9  
 PARERR, 4-35  
 PASS, 4-8  
 PULSE, 4-39  
 RDY, 4-8  
 RESET, 4-8  
 RMWMODE, 4-31 to 4-32  
 S[15-0], 4-48  
 SSIE, 4-44  
 SSINT\*, 4-44  
 SUBCLASS, 4-30  
 SYSFAIL, 4-46  
 SYSFAILIE, 4-46  
 SYSFAILIN, 4-29  
 SYSFAILINT, 4-47  
 SYSFAILOUT, 4-29  
 SYSFIN, 4-37  
 SYSFOUT, 4-37  
 SYSRSTIN, 4-29  
 SYSRSTOUT, 4-29  
 TRIG[7-0]DIR, 4-49  
 TRIG[7-0]EN, 4-49  
 TRIGIN, 4-43  
 TRIGINT, 4-46  
 TRIGINTIE, 4-46  
 TRIGOUT, 4-44  
 VERSION, 4-8  
 BKOFF bit, 4-46  
 BKOFFIE bit, 4-46  
 BOFFCLR bit, 4-35

BTO. *See* VME BTO chain position; VME BTO circuitry.  
 bus master compliance levels, 2-4  
 bus slave compliance levels, 2-3

## C

cable connections  
   INTX daughter card, 3-27  
   MXIbus, 3-28 to 3-30  
 capability codes  
   MXIbus, A-2  
   VMEbus, A-1  
   VXIbus, A-1  
 CLK10 circuitry  
   definition, 2-5  
   INTX daughter card, 2-9  
   theory of operation, 6-2 to 6-3  
 CLK10 source configuration, 3-18 to 3-22  
   damage warning, 3-22  
   EXT CLK SMB input/output, 3-20  
   INTX CLK10 mapping, 3-20 to 3-22  
 CMODE bit  
   A16 Window Map Register, 4-14, 4-16  
   A24 Window Map Register, 4-18, 4-20  
   A32 Window Map Register, 4-22, 4-24  
   description, 4-32  
   Logical Address Window Register, 4-10, 4-12  
 compliance levels, VMEbus, 2-3 to 2-4  
 configuration. *See also* installation; logical address map configuration; multiframe RM operation.  
   A16 register resources, 3-31  
   CLK10 source, 3-18 to 3-22  
     EXT CLK SMB input/output, 3-20  
     INTX CLK10 mapping, 3-20 to 3-22  
   factory default settings for VXI-MXI  
     with INTX, 3-3  
     without INTX, 3-2  
   interlocked arbitration mode, 3-13 to 3-14  
   logical address, 3-6 to 3-7  
   MXIbus fairness option, 3-17  
   MXIbus System Controller, 3-14 to 3-15  
   MXIbus System Controller timeout, 3-16  
   parts locator diagram  
     VXI-MXI, C-2  
     VXI-MXI with INTX, 3-3  
     VXI-MXI without INTX, 3-2  
   removing metal enclosure, 3-4  
   reset signal selection, 3-23  
   Slot 0 settings, 3-4 to 3-5

trigger input termination, 3-22  
 two-frame system, E-1  
 VMEbus devices in VXIbus/MXIbus systems, 3-31  
 VMEbus request level, 3-7 to 3-8  
 VMEbus timeout chain position, 3-10 to 3-12  
 VMEbus timeout value, 3-8 to 3-9  
 connector descriptions  
   INTX connector, D-3 to D-4  
   MXIbus connector, D-1 to D-2  
 customer communication, *xii*, F-1

## D

daughter card. *See* INTX daughter card.  
 deadlock conditions  
   causes, 3-13  
   interlocked arbitration mode, 3-13  
   interrupt circuitry, 6-3  
   MXIbus master mode state machine, 6-10  
 DEVCLASS bit, 4-4  
 Device Type Register, 4-6  
 DIRQ[7-1] bit, 4-47  
 documentation  
   organization, *xi*  
   related documentation, *xii*  
 Drive Triggers/Read LA Register, 4-39 to 4-40, 6-2  
 DRVECL0 bit, 4-40  
 DRVECL1 bit, 4-40  
 DSYSFAIL bit, 4-33  
 DSYSRST bit, 4-34  
 DTACK signal, 3-8, 3-16  
 DTB arbiter compliance level (PRI), 2-3  
 DTB requester compliance level (ROR), 2-3  
 DTRIG[7-0] bit, 4-39

## E

ECL trigger lines, 2-5, 6-2 to 6-3  
 ECL0DIR bit, 4-33  
 ECL0EN bit, 4-33  
 ECL1DIR bit, 4-32  
 ECL1EN bit, 4-32  
 ECLSTAT0 bit, 4-43  
 ECLSTAT1 bit, 4-43  
 EDTYPE bit, 4-7  
 EINT[7-1]DIR bit, 4-26  
 EINT[7-1]EN bit, 4-26  
 electrical specifications, A-2

environmental specifications, A-2 to A-3  
 equipment, optional, 1-6 to 1-7

ETOEN bit, 4-43

ETRG[7-0]DIR bit, 4-27

ETRG[7-0]EN bit, 4-27

ETRIG bit, 4-44

EXT CLK connector, 6-2

EXT CLK SMB input/output  
 configuration, 3-20

Extended P2 ECL Trigger Line Support (1)  
 bit, 4-28

Extended P3 ECL Trigger Line Support (1)  
 bit, 4-28

Extended TTL Trigger Line Support (0)  
 bit, 4-28

Extended Utility Line Support (0) bit, 4-28

## F

FAIR bit, 4-34

front panel of VXI-MXI interface module,  
 1-5

functional description. *See* theory of  
 operation.

## H

hard resets, 4-1

High/Low configuration format, 5-5

## I

I[15-0] bits, 4-51

IACK cycle, 6-4 to 6-5

installation, 3-23 to 3-31. *See also*  
 configuration.

INTX daughter card

cable connection, 3-27

INTX termination, 3-25 to 3-26

parts locator diagram, C-3, C-4

reinstalling INTX card, C-4

removing from VXI-MXI, C-3

removing metal enclosure, C-1

VXI-MXI parts locator diagram, C-2

MXIbus cable connection, 3-28 to 3-29

MXIbus termination, 3-24 to 3-25

procedure for, 3-26 to 3-27

system power cycling requirements, 3-30  
 to 3-31

unpacking the VXI-MXI interface  
 module, 1-7

interlocked arbitration mode, configuration,  
 3-13 to 3-14

Interrupt and Timing Extension (INTX)  
 daughter card. *See* INTX daughter card.

interrupt circuitry

definition, 2-7

interrupt acknowledge (IACK) cycle, 6-4  
 to 6-5

INTX daughter card, 2-9

Status/ID information, 6-5

theory of operation, 6-3 to 6-6

VXI-MXI addresses for VMEbus

interrupt levels, 6-5

interrupt handler compliance levels, 2-4

Interrupt Status/Control Register, 4-45  
 to 4-47

interrupter compliance levels, 2-4

INTLCK bit, 4-33

INTX daughter card

block diagram, 2-8

cable connections, 3-27

CLK10 control, 2-9

CLK10 mapping, 3-20 to 3-22

connector description, D-3 to D-4

connectors, 2-7

factory default settings, 3-3

illustration, 1-3

installation

parts locator diagram, C-3, C-4

reinstalling INTX card, C-4

removing from VXI-MXI, C-3

removing metal enclosure, C-1

VXI-MXI parts locator diagram, C-2

interrupt control, 2-9

registers, 2-8

routing CLK10 signal from INTX

connector, 3-18

signal assignments, D-3

signal groupings, D-4

system reset control, 2-9

termination, 3-25 to 3-26

trigger control, 2-9

INTX Interrupt Configuration Register,  
 2-8, 4-26

INTX Trigger Configuration Register,  
 2-8, 4-27

INTX Utility Configuration Register,  
 2-8, 4-28 to 4-29

IRQ Acknowledge Registers, 4-51

IRQ[7-1] bit, 4-47

ITS[3-0] bits, 4-42

**J**

## jumpers and switches

- CLK10 source signal options, 3-19
- EXT CLK SMB input/output, 3-20
- factory default settings
  - VXI-MXI with INTX, 3-3
  - VXI-MXI without INTX, 3-2
- interlocked arbitration mode, 3-14
- INTX CLK10 mapping switches, 3-21 to 3-22
- logical address, 3-6 to 3-7
- MXIbus fairness option, 3-17
- MXIbus System Controller, 3-15
- MXIbus System Controller timeout, 3-16
- non-Slot 0 selection, 3-5
- reset signal settings, 3-23
- Slot 0 settings, 3-4
- trigger input termination, 3-22
- VME BTO chain position, 3-10 to 3-12
- VME BTO value selection, 3-9
- VMEbus request level, 3-8

**L**

- LABASE[7-0] bits, 4-11
- LADD[7-0] bit, 4-39
- LADIR bit, 4-10, 4-11
- LAEN bit, 4-10, 4-11
- LAHIGH[7-0] bits, 4-12
- LALOW[7-0] bits, 4-12
- LASIZE[2-0] bits, 4-11
- LINT[3-1] bits, 4-45
- LNGMXSCTO bit, 3-16, 4-35
- LOCKED bit, 4-36
- logical address
  - configuration, 3-6 to 3-7
  - definition, 3-6
- logical address map configuration, 5-1 to 5-34
  - A16 address map
    - blank worksheets, 5-29 to 5-34
    - examples, 5-25
    - planning, 5-21 to 5-24
    - worksheet examples, 5-26 to 5-28
  - Base/Size configuration format, 5-3 to 5-4
  - basic configurations (illustration), 5-2
  - examples, 5-8 to 5-9
  - high/low configuration format, 5-5
  - multiframe RM operation, 5-35 to 5-38

- A24 and A32 addressing windows, 5-38
- example, 5-36 to 5-38
- steps for planning, 5-35 to 5-36

- overview, 5-1
- planning, 5-1 to 5-3
- procedure, 5-5 to 5-7
- worksheets
  - alternative worksheets, 5-18 to 5-21
  - blank worksheets, 5-13 to 5-17
  - examples, 5-10 to 5-12

- Logical Address Window Register, 4-10 to 4-13
  - bit descriptions, 4-10 to 4-11, 4-12
  - definition, 2-7
  - description, 4-10
  - example, 4-11
  - format
    - CMODE bit cleared, 4-10
    - CMODE bit set, 4-12
  - theory of operation, 6-6
- Low configuration format, 5-5

**M**

- MANID bit, 4-5
- master mode state machine. *See* MXIbus master mode state machine.
- metal enclosure for VXI-MXI, removing, 3-4, C-1
- MIRQ[7-1]DIR bit, 4-37 to 4-38
- MIRQ[7-1]EN bit, 4-37, 4-38
- mnemonics key, B-1 to B6
- MODEL bit, 4-6
- MODID\* bit, 4-7
- MODID Register, 4-9
- MODID[12-0] bits, 4-9
- multiframe RM
  - PC configuration, 5-2
  - VXIbus mainframe configuration, 5-2
- multiframe RM operation
  - A24 and A32 addressing window configuration, 5-38
  - logical address window configuration, 5-35 to 5-38
  - system administration and initiation, 5-39
- MXACFAILEN bit, 4-35
- MXACFAILINT bit, 4-35
- MXBERR bit, 4-35
- MXIbus
  - cable connections, 3-28 to 3-30
  - capability codes, A-2

- connector description, D-1 to D-2
  - definition, 1-4
  - limit for daisy-chained devices, 3-29
  - mapping, 1-4
  - signal assignments, D-1
  - signal groupings, D-2
  - system power cycling requirements, 3-30 to 3-31
  - termination networks, 3-24 to 3-25
  - MXIbus defined registers
    - configuration registers, 2-7, 6-6
    - Drive Triggers/Read LA Register, 4-39 to 4-40, 6-2
    - Interrupt Status/Control Register, 4-45 to 4-47
    - IRQ Acknowledge Registers, 4-51
    - MXIbus IRQ Configuration Register, 4-37 to 4-38
    - MXIbus Lock Register, 4-36
    - MXIbus Status/Control Register, 4-31 to 4-35
    - MXIbus Trigger Configuration Register, 4-49
    - Status/ID Register, 4-48, 6-4
    - Trigger Asynchronous Acknowledge Register, 4-50
    - Trigger Mode Selection Register, 4-41 to 4-44, 6-2
    - Trigger Synchronous Acknowledge Register, 4-50
  - MXIbus fairness option, configuration, 3-17
  - MXIbus IRQ Configuration Register, 4-37 to 4-38
  - MXIbus Lock Register, 4-36
  - MXIbus master mode state machine
    - deadlock situation, 6-10
    - definition, 2-7
    - master to slave transfers, 6-7
    - theory of operation, 6-6 to 6-10
    - timing specifications, A-3
    - transfer responses for VMEbus address modifiers, 6-8
    - VMEbus/MXIbus transfer size comparison, 6-9
    - VMEbus to MXIbus address modifier line map, 6-7
  - MXIbus requester and arbiter circuitry
    - definition, 2-7
    - theory of operation, 6-12 to 6-14
  - MXIbus slave mode state machine
    - definition, 2-7
    - theory of operation, 6-10 to 11
    - timing specifications, A-3
  - MXIbus Status/Control Register, 4-31 to 4-35
  - MXIbus System Controller
    - configuration, 3-14 to 3-15
    - definition, 2-6
    - theory of operation, 6-12
    - timeout configuration, 3-16
  - MXIbus system logical address map
    - configuration. *See* logical address map configuration.
  - MXIbus transceivers
    - address/data and address modifier transceivers, 2-7, 6-11 to 6-12
    - control signal transceivers, 2-7, 6-12
    - requirements, 2-2
  - MXIbus Trigger Configuration Register, 4-49
  - MXISC bit, 4-34
  - MXSCTO bit, 4-32
  - MXSRSTEN bit, 4-34
  - MXSRSTINT bit, 4-34
  - MXSYSFINT bit, 4-35
  - MXTRIGEN bit, 4-34
  - MXTRIGINT bit, 4-34
- N**
- non-Slot 0 selection, 3-5
- O**
- OMS[2-0] bits, 4-41 to 4-42
  - operation of VXI-MXI. *See* theory of operation.
  - OTS[3-0] bits, 4-43
  - OUTEN bits, 4-9
- P**
- PARERR bit, 4-35
  - parity check and generation, 2-7, 6-6
  - PASS bit, 4-8
  - physical specifications, A-3
  - pin assignments. *See* connector descriptions.
  - power cycling requirements, 3-30 to 3-31
  - programming. *See* logical address map configuration; multiframe RM operation.
  - PULSE bit, 4-39

**R**

RDY bit, 4-8

registers

description format, 4-1

hard reset, 4-1

MXIbus defined registers

Drive Triggers/Read LA Register,  
4-39 to 4-40, 6-2Interrupt Status/Control Register,  
4-45 to 4-47

IRQ Acknowledge Registers, 4-51

MXIbus IRQ Configuration Register,  
4-37 to 4-38

MXIbus Lock Register, 4-36

MXIbus Status/Control Register,  
4-31 to 4-35MXIbus Trigger Configuration  
Register, 4-49

Status/ID Register, 4-48, 6-4

Trigger Asynchronous Acknowledge  
Register, 4-50Trigger Mode Selection Register,  
4-41 to 4-44, 6-2Trigger Synchronous Acknowledge  
Register, 4-50

register maps, 4-2 to 4-3

resets, 4-1

sizes, 4-1

soft reset, 4-1

VXIbus configuration registers

Device Type Register, 4-6

VXIbus ID Register, 4-4 to 4-5

VXIbus Status/Control Register,  
4-7 to 4-8

VXIbus extender registers

A16 Window Map Register, 4-14  
to 4-17A24 Window Map Register, 4-18  
to 4-21A32 Window Map Register, 4-22  
to 4-25INTX Interrupt Configuration  
Register, 2-8, 4-26INTX Trigger Configuration  
Register, 2-8, 4-27INTX Utility Configuration Register,  
2-8, 4-28 to 4-29Logical Address Window Register,  
4-10 to 4-13

MODID Register, 4-9

Subclass Register, 4-30

request level, VMEbus, 3-7 to 3-8

requester and arbiter circuitry, VMEbus,  
2-5, 6-2

RESET bit, 4-8

reset signal, configuration, 3-23

resets

hard and soft resets for registers, 4-1

INTX daughter card control, 6-9

RM operation. *See* multiframe RM  
operation.**S**

S[15-0] bits, 4-48

Semi-synchronous protocol, 6-3

signals

INTX daughter card

signal assignments, D-3

signal groupings, D-4

MXIbus

signal assignments, D-1

signal groupings, D-2

VMEbus signals

list of signals, 2-1 to 2-2

VXI-MXI support for, 1-4 to 1-5

Size configuration format, 5-3 to 5-4

slave mode state machine. *See* MXIbus  
slave mode state machine.

Slot 0

CLK10 signal requirement, 3-18

configuration, 3-4 to 3-5

damage warning, 3-4

default settings, 3-4

device requirements, 3-5

interlocked arbitration mode, 3-13

non-Slot 0 selection, 3-5

VMEbus System Controller, 3-5

soft resets, 4-1

specifications

electrical, A-2

environmental, A-2 to A-3

MXIbus capability codes, A-2

other, A-3

physical, A-3

reliability, A-3

requirements, A-3

timing, A-3

VMEbus capability codes, A-1

VXIbus capability codes, A-1

SSIE bit, 4-44

SSINT\* bit, 4-44

Start/Stop protocol, 6-3

Status/ID Register, 4-48, 6-4

SUBCLASS bit, 4-30  
 Subclass Register, 4-30  
 switches. *See* jumpers and switches.  
 Synchronous protocol, 6-3  
 SYSFAIL bit, 4-46  
 SYSFAIL signal, 2-5, 6-3  
 SYSFAILIE bit, 4-46  
 SYSFAILIN bit, 4-29  
 SYSFAILINT bit, 4-47  
 SYSFAILOUT bit, 4-29  
 SYSFIN bit, 4-37  
 SYSFOUT bit, 4-37  
 SYSRESET signal, 2-5, 6-3  
 SYSRSTIN bit, 4-29  
 SYSRSTOUT bit, 4-29  
 System Controller. *See* MXIbus System Controller; VMEbus System Controller.  
 system logical address map configuration. *See* logical address map configuration.  
 system power cycling requirements, 3-30 to 3-31

## T

TERMPWR connection, 3-24  
 theory of operation  
   A16, A24, A32, and LA windows, 6-6  
   ACFAIL signal, 6-3  
   CLK10 circuitry, 6-2 to 6-3  
   ECL trigger lines, 6-2 to 6-3  
   functional description, 2-5 to 2-9  
   interrupt circuitry, 6-3 to 6-6  
   MXIbus  
     address/data and address modifier transceivers, 6-11 to 6-12  
     control signal transceivers, 6-12  
     master mode state machine, 6-6 to 6-10  
     requester and arbiter circuitry, 6-12 to 6-14  
     slave mode state machine, 6-10 to 6-11  
     System Controller functions, 6-12  
   parity check and generation, 6-6  
   SYSFAIL signal, 6-3  
   SYSRESET signal, 6-3  
   TTL trigger lines, 6-2 to 6-3  
   VMEbus  
     address and address modifier transceivers, 6-1  
     control signal transceivers, 6-2  
     data transceivers, 6-1

    requester and arbiter circuitry, 6-2  
     VXI-MXI configuration registers, 6-6  
     VXIbus System Controller functions, 6-1  
 timing specifications, A-3  
 transceivers. *See* MXIbus transceivers; VMEbus transceivers.  
 TRG IN connector, 6-2  
 TRG OUT connector, 6-2  
 TRIG[7-0]DIR bit, 4-49  
 TRIG[7-0]EN bit, 4-49  
 Trigger Asynchronous Acknowledge Register, 4-50  
 Trigger Asynchronous interrupt condition, 6-4  
 trigger control, INTX daughter card, 2-9  
 trigger input SMB termination, 3-22  
 trigger input termination, configuration, 3-22  
 Trigger Mode Selection Register, 4-41 to 4-44, 6-2  
 Trigger Synchronous Acknowledge Register, 4-50  
 Trigger Synchronous interrupt condition, 6-4  
 TRIGIN bit, 4-43  
 TRIGINT bit, 4-46  
 TRIGINTIE bit, 4-46  
 TRIGOUT bit, 4-44  
 TTL trigger lines, 2-5, 6-2 to 6-3  
 Two-Frame VXI System, E-1

## U

unpacking the VXI-MXI interface module, 1-7

## V

VERSION bit, 4-8  
 VME BTO chain position, configuration, 3-10 to 3-12  
 VME BTO circuitry  
   configuration, 3-8 to 3-9  
   interlocked arbitration mode timing, 3-13  
   jumpers and switches, 3-9  
 VMEbus  
   A16 register resource configuration, 3-31  
   capability codes, A-1  
   compliance levels, 2-3 to 2-4  
   modules, 2-2 to 2-3  
   request level configuration, 3-7 to 3-8  
   requester and arbiter circuitry, 2-5, 6-2



- signals
  - list of signals, 2-1 to 2-2
  - signals supplied by VXI-MXI, 1-4 to 1-5
- VMEbus Data Transfer Bus Arbiter (PRI ARBITER), 3-5
- VMEbus Data Transfer Bus (DTB), 3-7
- VMEbus System Controller, 3-5
- VMEbus timeout. *See* VME BTO chain position; VME BTO circuitry.
- VMEbus transceivers
  - address and address modifier
    - transceivers, 2-5, 6-1
  - control signal transceivers, 2-5, 6-2
  - data transceivers, 2-5, 6-1
- VXI-MXI interface module. *See also* INTX daughter card.
  - block diagram, 2-6
  - definition, 1-1, 1-4
  - electrical characteristics, 2-1 to 2-2
  - features, 1-4
  - front panel features, 1-5
  - functional description, 2-5 to 2-9
  - illustration, 1-2
  - kit contents, 1-6
  - optional equipment, 1-6 to 1-7
  - overview, 1-4 to 1-5
  - support signals for VMEbus, 1-4 to 1-5
  - unpacking, 1-7
  - VMEbus compliance levels, 2-3 to 2-4
  - VMEbus modules, 2-2 to 2-3
- VXIbus capability codes, A-1
- VXIbus configuration registers
  - definition, 2-7
  - Device Type Register, 4-6
  - theory of operation, 6-6
  - VXIbus ID Register, 4-4 to 4-5
  - VXIbus Status/Control Register, 4-7 to 4-8
- VXIbus extender registers
  - A16 Window Map Register, 4-14 to 4-17
  - A24 Window Map Register, 4-18 to 4-21
  - A32 Window Map Register, 4-22 to 4-25
  - INTX Interrupt Configuration Register, 2-8, 4-26
  - INTX Trigger Configuration Register, 2-8, 4-27
  - INTX Utility Configuration Register, 2-8, 4-28 to 4-29
  - Logical Address Window Register, 4-10 to 4-13
  - MODID Register, 4-9
  - Subclass Register, 4-30
- VXIbus ID Register, 4-4 to 4-5
- VXIbus Status/Control Register, 4-7 to 4-8
- VXIbus System Controller
  - definition, 2-5
  - theory of operation, 6-1
- VXIbus system logical address map configuration. *See* logical address map configuration.